

**gorenje**

# KITCHEN APPLIANCES 2013/14



# MORE THAN 60 YEARS OF MANUFACTURING EXCELLENCE

Gorenje is one of Europe's leading appliance manufacturers with the largest production facility in Europe manufacturing over 4 million quality appliances each year. Our product range combines the very latest technology and innovative designs. Widely recognised as one of the fastest growing appliance brands in the UK, Gorenje is a multi-award winning brand that is successfully sold in over 70 countries. Our confidence

in new technologies combined with our constant innovation is demonstrated by our unique free 5 year parts and labour guarantee offered on most of the Gorenje range. Gorenje is well on its way to achieving its goal to become recognised as the most INNOVATIVE, DESIGN-MINDED manufacturer of kitchen appliances in the world.



Sales in 70 markets around the world

## PROOF OF EXCELLENCE

Superior quality and excellence of design are Gorenje's core brand value; they employ the latest quality assurance standards such as the ISO9001 standard. Gorenje manage their technological processes by the 6 sigma principle and comply with the highest environmental standards (ISO14001 and EMAS) as well as supplying an efficient after sales services.

[www.gorenje.co.uk](http://www.gorenje.co.uk)



### Awards

Gorenje's reputation is witnessed by numerous prestigious international awards including the Red Dot Design Award; Plus X Award™; Grüner Stecker prize; Get Connected Product of the Year Award; Product Innovation Award; Trusted Brand; Superbrands; Icograda Excellence Design Award; ICSID Excellence Design Award; and Innovation of the year; to name but a few.



**reddot design award**  
winner 2012



## OUR COMMITMENT TO THE ENVIRONMENT



Care for the environment is Gorenje's top priority. The new collection of products offer incredible market leading energy savings of up to A+++(-20%). Gorenje are continuously improving energy efficiency by implementing state-of-the-art technology, manufacturing processes and materials that reduce the consumption of waste generated in the production

process and the consumption of energy and natural resources. Gorenje are devoted to searching for modern technological solutions for their products and this has been met with enthusiasm and respect by their environmentally conscious consumers. Gorenje's goal is to produce appliances that use less power, water and detergents.



A VISION FOR THE FUTURE. EXPERIENCE FROM THE PAST.  
CREATIVE SOLUTIONS OF TODAY.



## INNOVATION



Innovation pushes the limits. But its true value goes further than that: it lies in balancing the expectations of the users and the possibilities of modern technology. Excellence is witnessed by advanced, solidly built and reliable products whose efficiency will convince even those with the strictest of standards. Innovation is Gorenje's way of thinking and the fundamental guideline in development of high-quality and durable products.

## DESIGN

The essence of good design is total understanding of the form, which ennobles the products fundamental value. Gorenje devote particular attention to comfort and safety while paying due respect to the aesthetic sense of each individual. Superior quality of materials, ergonomics, and aesthetic harmony reach beyond anything known in the past as they are fused into original design solutions of today.



## SIMPLICITY



Understanding of the customers' needs for a quality way of living is the central guiding principle of Gorenje's product development. Convenient solutions exceed the basic expectations with remarkably simple choice of the best-suited programs and settings. The shortest possible route to the desired result is guaranteed, without constraining the possibilities of choice or requiring any effort. Gorenje's quest for affordable convenient solutions that make life simpler.

## INDEX PAGE

06	Special lines
06	Gorenje designed by Karim Rashid
12	Gorenje designed by Ora-İto
26	Gorenje Simplicity
38	Gorenje Retro collection



48	Washing & Drying
48	Freestanding washing machines
56	Integrated washing machine & washer dryer
58	Freestanding dryers
64	Integrated and freestanding dishwashers



70	Cooling
70	Freestanding fridges and freezers
82	Integrated fridges and freezers



88	Cooking
88	Built-in ovens
102	Freestanding cookers
110	Built-in hobs
124	Cooker hoods



136	Product information
136	Product information
161	Aftersales support





WALDEN  
SCHAFFNER

scorpio  
2010

# THE TOUCH OF LIGHT

A contemporary collection distinctive for dynamic design, rounded lines and high-quality aluminium finish. Innovative design and cutting-edge technology leave an impression of colourfulness and versatility. Responding to a gentle touch, MoodLite technology will colour your world in one of the seven hues.

DESIGNED BY

*Karim*



# PINK IS THE NEW BLACK



## The six magical changing colours.



BabyPink



HotPink



DeepPurple



SkyBlue



LimeGreen



JuicyOrange



### ▷ DirectTOUCH

A perfect result in only three simple steps. Patent-pending electronic programming module is a revolutionary novelty in touch screen appliance operation. Numerous preset programmes automatically set the right combination of heating elements, temperature, and cooking time, while additional settings make the use simpler and save even more of your precious time.

### A fusion of minimalism and colour. Pure and bold. Functional and inter-active.

A contemporary collection distinctive for dynamic design, rounded lines and high-quality aluminium finish. The magical light of vertical LED-illuminated strip evokes an individual experience of the space.





### HomeMADE

The innovative unique design of the HomeMADE oven cavity, featuring a vaulted ceiling and rounded side walls, coupled with precisely thought-out heater placement, delivers superior cooking results. This unique idea is inspired by traditional wood-fired bread ovens relies on highly efficient and fully uniform distribution of hot air.



### Induction

The cutting-edge built-in hob boasts speed, low energy consumption, safety, and touch control. The PowerBoost function additionally ups the performance and capacity of the induction built-in hob. The instantaneous response prevents liquid from boiling over and spares you the tedious cleaning.



### Gas built-in hob with a wok burner

Modern gas hob on stylish white glass, with ergonomically de-signed knobs and excellent layout, is a perfect setting for superior cooking results. The fans of Asian cuisine will be thrilled by the wok burner that delivers three rings of flame, formidable heating power, instantaneous response, and rapid performance.



### MoodLite

Aesthetics or functionality? Our cutting-edge technology delivers both. MoodLite technology does not only endow the ambiance with the desired hue of colour; when activated, it also affords a look into the oven interior, while the red tint will warn you of high oven temperature. The light band is both an aesthetic form and an innovative function.



### TouchControl

The keys and knobs are a relic of the past; what remains is pure simplicity and aesthetics. The electronic version of the cooker hood is a breakthrough in user-friendly operation. Carefully studied positioning of the control section on the LED-illuminated strip enables simple setting of the extraction power adjustable in four levels.



### Halogen lighting

In addition to its primary function of vapour extraction and air filtration, the cooker hood is an additional source of light that provides optimum illumination of the cooker surface. Halogen lighting is also more powerful and economical than the conventional one.



5 YEAR  
GUARANTEE

**BO 87 KR**  
Built-in single oven

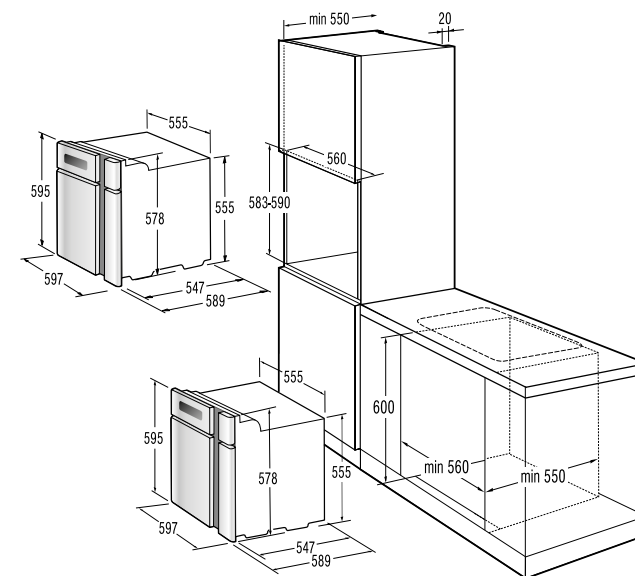
DESIGNED BY  
*Karim Rashid*



5 YEAR  
GUARANTEE

**DQGA 65 KR**  
Wall mounted cooker hood

DESIGNED BY  
*Karim Rashid*



**BO 87 KR**



59,5  
← cm →

- Multi system oven
- Control panel material: Glass and aluminium

**Efficiency**

- BigSpace gross/net: **66 / 65 l**
- SuperSize baking area
- Size of biggest baking pan: **1316 cm<sup>2</sup>**
- HomeMADE\* modelled on traditional wood-fired bread oven

**Control**

- Electronic control
- DirectTOUCH - Electronic control module with pre-set menus and fast pre-heating

**Heating types**



**Features**

- Oven illumination
- Fast preheating
- WarmPlate
- StayWarm

**Accessories**

- Deep enamelled pan
- Shallow enamelled pan
- Grid
- Telescopic oven guides - 3 levels
- Stainless grease filter

**Safety systems**

- Thermoelectric fuse
- Dynamic oven cooling plus - DC+
- CoolDoor

**EasyCleaning**

- AquaClean function
- Eco enamel (oven and baking tray)
- Smooth oven door surface
- Foldable top heater for easy cleaning

**Technical data**

- Connected load: **3,3 kW**
- Energy consumption: **0,79 kWh** (venting) **0,87 kWh** (conventional)
- Product dimensions (HxWxD): **59,5 x 59,7 x 58,9 cm**
- Niche dimensions (HxWxD): **59-60 x 56-56,8 x 55 cm**
- EAN code: **3838942625756**
- Product code: **280785**

- Colour of aluminium
- Construction type: Wall hood
- Venting with air extraction or recirculation

**Efficiency**

- Maximum extraction rate by extraction operation: **582 m<sup>3</sup>/h**
- Maximum extraction rate by recirculation operation: **319 m<sup>3</sup>/h**
- Venting tube diameter: **15 cm**

**Control**

- Control type: Electronic
- Control setting: Touch
- Number of speed settings: 4

**Features**

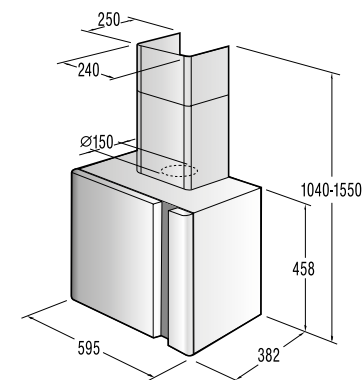
- Lamp type: Halogen
- Number of lights: 2
- Power of lights: **40 W**

**Accessories**

- Filter material: Aluminium
- Grease filter indicator
- No return airflow flap: 150 mm
- Charcoal filter: 163687

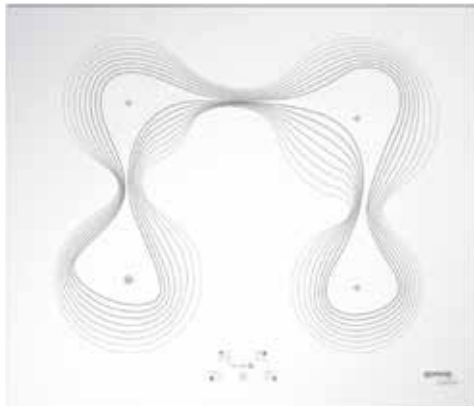
**Technical data**

- Dimensions of the product (width x depth): **59,5 x 38,2 cm**
- Height: **458 mm**
- Min. height of the chimney: **564 mm**
- Max. height of the chimney: **1074 mm**
- EAN code: **3838942617409**
- Product code: **280262**



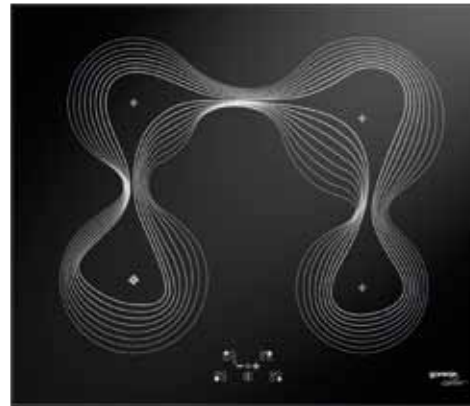
**DQGA 65 KR**

DQGA 65 KR comes with a European plug as standard.



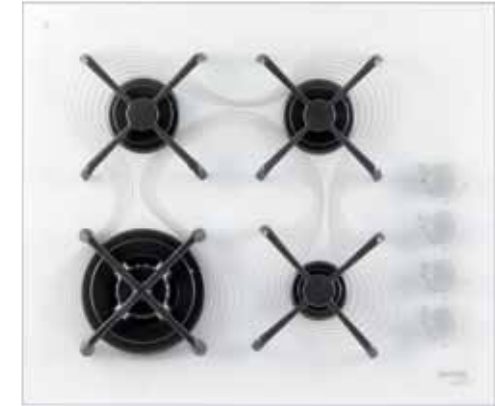
**IT 65 KR**  
Induction hob

DESIGNED BY  
*Karim Rashid*



**IT 65 KRB**  
Induction hob

DESIGNED BY  
*Karim Rashid*



**GC 650 KR**  
Gas on tempered glass

DESIGNED BY  
*Karim Rashid*



- Colour: White
- Aluminium black edges

**Control**

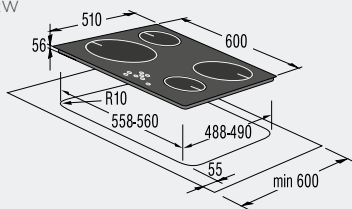
- Touch control
- Timer function

**Features**

- Enhanced performance with Powerboost
- SuperBoost
- AllBoost
- PowerControl
- SuperSilent
- EasyClean

**Cooking surface**

- 4 induction zones
- Left front: Ø 18,5 cm, 1,4/2 kW
- Right front: Ø 16,5 cm, 1,2/1,4 kW
- Left behind: Ø 16,5 cm, 1,2/1,4 kW
- Right behind: Ø 20,5 cm, 2/2,3 kW



**Safety and durability**

- Residual heat indicator
- Safety function

**Technical data**

- Connected load: **7,1 kW**
- SuperSilent
- Product dimensions (HxWxD): **5,6 × 60 × 51 cm**
- Niche dimensions (HxWxD): **5,2 × 56 × 49 cm**

- EAN code: **3838942813566**
- Product code: **393112**



- Colour: Black
- Aluminium black edges

**Control**

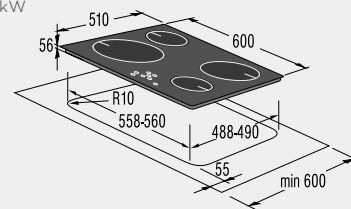
- Touch control
- Timer function

**Features**

- Enhanced performance with Powerboost
- SuperBoost
- AllBoost
- PowerControl
- SuperSilent
- EasyClean

**Cooking surface**

- 4 induction zones
- Left front: Ø 18,5 cm, 1,4/2 kW
- Right front: Ø 16,5 cm, 1,2/1,4 kW
- Left behind: Ø 16,5 cm, 1,2/1,4 kW
- Right behind: Ø 20,5 cm, 2/2,3 kW



**Safety and durability**

- Residual heat indicator
- Safety function

**Technical data**

- Connected load: **7,1 kW**
- SuperSilent
- Product dimensions (HxWxD): **5,6 × 60 × 51 cm**
- Niche dimensions (HxWxD): **5,2 × 56 × 49 cm**

- EAN code: **3838942813573**
- Product code: **393114**



- Colour: White
- Aluminium edges

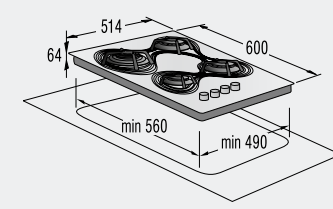
**Cooking surface**

- 4 burners: 2 standard burners, 1 auxiliary burner, 1 triple burner
- Left front: Ø 13,1 cm, 3,8 kW
- Right front: Ø 5 cm, 1 kW
- Left behind: Ø 6 cm, 1,75 kW
- Right behind: Ø 6 cm, 1,75 kW
- Single-handed ignition
- Flame failure protected burners
- LPG jets included

**Technical data**

- Connected load: **8.3 kW**
- Product dimensions (HxWxD): **11,6 × 60 × 51 cm**
- Niche dimensions (HxWxD): **6,4 × 56 × 49 cm**

- EAN code: **3838942633942**
- Product code: **287803**



GC 650 KR comes with a European plug as standard.



# THE NEW CLASIC FOR TOMORROW'S KITCHEN

Minimalistic and elegant. The perfect harmony between elegant glossy surfaces of glass and brushed aluminium handles. For contemporary consumers who appreciate superiorly designed, technologically perfected yet reasonably priced trendy household appliances.

DESIGNED BY ora-ito



[www.gorenje-oraito.com](http://www.gorenje-oraito.com)

# ENFANT TERRIBLE OF DESIGN

To offer the contemporary consumer superiorly designed yet reasonably priced appliances affordable to a wider population, Gorenje has teamed up with Ora-Ïto, the world-famous French designer of the younger generation. His intrepid ideas launched him to the very top of the world of design. His concepts are futuristic and provocative. The result of this cooperation is a trendy range of technologically perfected household appliances - the **Gorenje Ora-Ïto Collection**. Available in **black** and **white**.

Ora-Ïto characterizes his recognizable style as *simplicity*: simple yet complex. With unnecessary surplus taken away, only the clean design lines remain.





### ▽ Futuristic kitchen

The unique Futuristic kitchen in the shape of a rounded cube was also created in cooperation with Ora-Īto. A monolithic structure made of a high-tech composite material was designed as a fully mobile setting to display the Gorenje Ora-Īto Collection as it clocks up the miles through many European capitals. Throughout its journey it has covered over 14,000 kilometres.



### ▽ Cooking with your fingertips

The built-in oven is easily controlled via a touch screen neatly hidden in the glass above the oven door, allowing control of the numerous oven functions.



### ▽ Sensor control

By allowing simple and highly accurate temperature settings, the induction hob enables excellent control of the cooking process.



### ▽ Glass finish for an exquisitely luxurious appearance

Elegant black or white glass surfaces covering the entire front of each appliance in the collection are in perfect harmony with the design of the wide brushed aluminium handles.



### ▽ Beauty and power

The exquisite cooker hood is controlled by cleverly concealed sensor controls. Halogen lighting provides perfect illumination right where you need it. The hood also features a class leading extraction rate.



**NRK ORA...**  
Freestanding fridge freezer

DESIGNED BY  
ORA-ITO



• Door opening: Right

**Efficiency**

- 1 compressor
- Total gross/net volume:  
**278 / 260 l**
- Capacity of cooling compartment: gross/net:  
**203 / 200 l**
- Capacity of freezer compartment: gross/net:  
**75 / 60 l**
- Freezing capacity in 24 hours:  
**7,5 kg/24h**
- Power cut safe time: **13 h**

**Control**

- Electronic control SensoTech
- Sound alarm for open door
- Warning light for too high temperature in the freezer compartment

**Features**

- Frost Free: In the whole freezer compartment
- Fan-assisted cooling in fridge
- SuperCool

**Equipment of refrigerator**

- Interior light in refrigerator
- Type of interior light: LED
- Number of shelves: 3
- Number of removable shelves: 4
- Divisible glass shelf(s): 1
- Bottle holder
- 1 vegetable drawer
- Egg bin: 1x12
- Number of door shelves: 3
- Dairy shelf
- FreshZone drawer

**Equipment of freezer** \*\*\*

- Drawer(s) for fast freezing: 1
- 1 ice tray

**Technical data**

- Energy consumption kWh/24h:  
**0,762 kWh**
- Energy consumption kWh/year:  
**278 kWh**
- Level of noise (max.): **42 dB(A)**
- Product dimensions (HxWxD):  
**179,5 x 54 x 54,5 cm**



**NRK ORA-W**

• White - EAN code: **3838942521591**, Product code: **243849**

NRK ORA-W comes with a European plug as standard.



**NRK ORA-E**

• Black - EAN code: **3838942466328**, Product code: **228839**

NRK ORA-E comes with a European plug as standard.



5  
YEAR  
GUARANTEE**NRKI ORA...**  
Built-in integrated fridge freezerDESIGNED BY  
ORA-İTOA+ Energy Class  
54 cm  
177,5 cm

Color: White

- Door opening: Right door opening
- Door hinge: Door to door

**Efficiency**

- 1 compressor
- Total gross/net volume: **278 / 262 l**
- Capacity of cooling compartment: gross/net: **203 / 200 l**
- Capacity of freezer compartment: gross/net: **75 / 62 l**
- Freezing capacity in 24 hours: **7,5 kg/24h**
- Power cut safe time: **13 h**

**Control**

- Electronic control SensoTech
- LED display
- Temperature of the coolant too high: red signal
- Sound alarm for open door
- Sound signals in trouble
- Warning light for too high temperature in the freezer compartment

**Features**

- NoFrost DualAdvance
- Fan-assisted cooling in fridge
- SuperCool

**Equipment of refrigerator**

- Interior light in refrigerator
- Type of interior light: LED
- Number of shelves: 3
- Number of removable shelves: 4
- Divisible glass shelf(s): 1
- Bottle holder
- 1 vegetable drawer
- Egg bin: 1x12
- 3 door shelves:
- Dairy shelf
- FreshZone drawer

**Equipment of freezer** \* \* \* \*

- Drawer(s) for fast freezing: 1
- 1 ice tray

**Technical data**

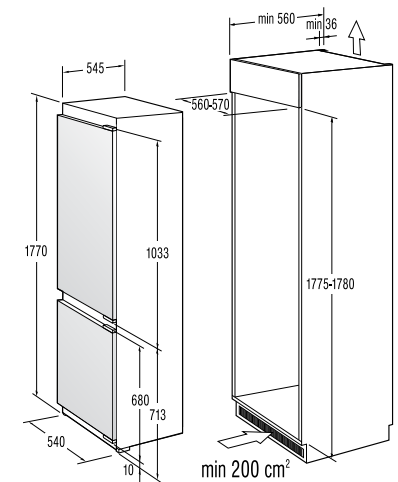
- Level of noise (max.): **42 dB(A)**
- Product dimensions (HxWxD): **177,5 x 54 x 54,5 cm**
- Niche dimensions (HxWxD): **177,5-178 x 56-57 x 56 cm**

**NRKI ORA-W**

- White - EAN code: **3838942729157**
- Product code: **327615**

**NRKI ORA**

- Black - EAN code: **3838942469992**
- Product code: **230411**

**NRKI-ORA...**



**DPR ORA-E / ORA-W**  
Refrigerator panel for refrigerator

DESIGNED BY  
ORA-ITO

**DPP ORA-W / DPP ORA-E**  
Dishwasher decor panel

DESIGNED BY  
ORA-ITO

**DPM ORA-W / DPM ORA-E**  
Microwave decor panel

DESIGNED BY  
ORA-ITO



- Colour:  
Black (DPR ORA-E)  
White (DPR ORA-W)
- Metal handle
- Handle colour: Brushed stainless steel
- Product dimensions (H×W×D): **179 × 59,5 × 5,7 cm**

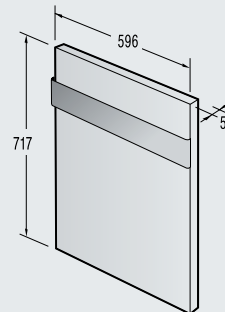
- EAN code:  
**3838942394041** (DPR ORA-E)  
**3838942713279** (DPR ORA-W)
- Product code:  
**177078** (DPR ORA-E)  
**329193** (DPR ORA-W)



- Colour:  
White (DPP ORA-W)  
Black (DPP ORA-E)
- Front material: Metal/Glass
- Metal handle
- Handle colour: Brushed stainless steel

- **Technical data**
- Product dimensions (H×W×D): **71,7 × 59,6 × 5,5 cm**

- EAN code:  
**3838942531354** (DPP ORA-W)  
**3838942375613** (DPP ORA-E)
- Product code:  
**248314** (DPP ORA-W)  
**171366** (DPP ORA-E)

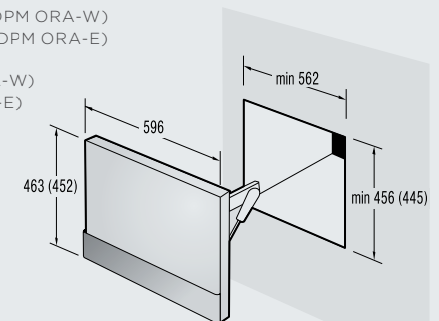


**To be used in conjunction with a freestanding microwave**

- Colour:  
White (DPM ORA-W)  
Black (DPM ORA-E)
- Front material: Metal/Glass
- Metal handle
- Handle colour: Brushed stainless steel

- **Technical data**
- Product dimensions (H×W×D): **46,3 × 59,6 × 5,8 cm**

- EAN code:  
**3838942531361** (DPM ORA-W)  
**3838942375637** (DPM ORA-E)
- Product code:  
**248315** (DPM ORA-W)  
**171401** (DPM ORA-E)





**BO 87 ORA-X**  
Built-in single oven

DESIGNED BY  
**ora-ito**



**BO 87 ORA-W**  
Built-in single oven

DESIGNED BY  
**ora-ito**



- Multi system oven
- Colour: Black
- Handle colour: Brushed stainless steel
- Control panel material: Glass

- Efficiency**
- BigSpace gross/net: **66 / 65 l**
  - SuperSize baking area
  - HomeMADE® modelled on traditional wood-fired bread oven

- Control**
- Electronic control
  - DirectTOUCH - Electronic control module with pre-set menus and fast pre-heating

**Heating types**



- Features**
- Oven illumination
  - Fast preheating
  - WarmPlate
  - StayWarm

- Accessories**
- Deep enamelled pan
  - Shallow enamelled pan
  - Grid • Meat probe
  - Telescopic oven guides - 3 levels
  - Stainless grease filter

- Safety systems**
- Thermoelectric fuse
  - Dynamic oven cooling plus - DC+
  - UCD - Ultra cool door
  - Mechanic door safety bolt

- EasyCleaning**
- AquaClean function
  - Eco enamel (oven and baking tray)
  - Smooth oven door surface
  - Foldable top heater for easy cleaning

- Technical data**
- Energy consumption: **0,79 kWh** (venting)
  - **0,87 kWh** (conventional)
  - Product dimensions (HxWxD): **59,5 × 59,7 × 56,5 cm**
  - Niche dimensions (HxWxD): **59-60 × 56-56,8 × 55 cm**

- EAN code: **3838942525469**
- Product code: **242081**



- Multi system oven
- Colour: White
- Handle colour: Brushed stainless steel
- Control panel material: Glass

- Efficiency**
- BigSpace gross/net: **66 / 65 l**
  - SuperSize baking area
  - HomeMADE® modelled on traditional wood-fired bread oven

- Control**
- Electronic control
  - DirectTOUCH - Electronic control module with pre-set menus and fast pre-heating

**Heating types**



- Features**
- Oven illumination
  - Fast preheating
  - WarmPlate
  - StayWarm

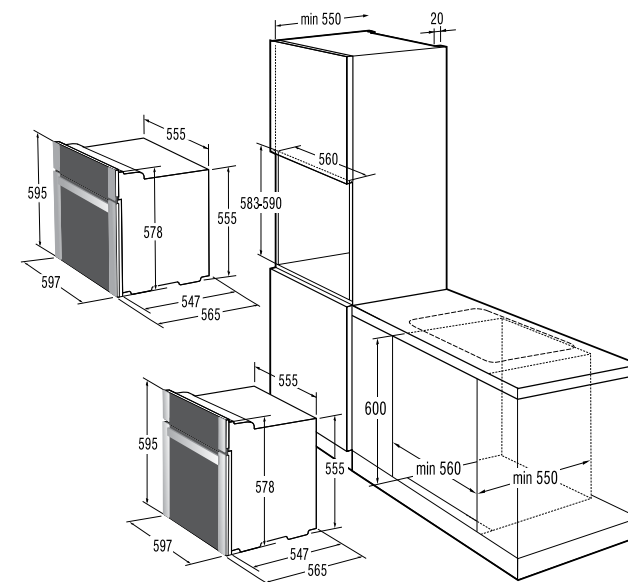
- Accessories**
- Deep enamelled pan
  - Shallow enamelled pan
  - Grid • Meat probe
  - Telescopic oven guides - 3 levels
  - Stainless grease filter

- Safety systems**
- Thermoelectric fuse
  - Dynamic oven cooling plus - DC+
  - UCD - Ultra cool door
  - Mechanic door safety bolt

- EasyCleaning**
- AquaClean function
  - Eco enamel (oven and baking tray)
  - Smooth oven door surface
  - Foldable top heater for easy cleaning

- Technical data**
- Energy consumption: **0,79 kWh** (venting)
  - **0,87 kWh** (conventional)
  - Product dimensions (HxWxD): **59,5 × 59,7 × 56,5 cm**
  - Niche dimensions (HxWxD): **59-60 × 56-56,8 × 55 cm**

- EAN code: **3838942574245**
- Product code: **259559**



**BO 87 ORA...**



**BO 71 ORA-X**  
Built-in single oven

DESIGNED BY  
ora-İto



**BO 71 ORA-W**  
Built-in single oven

DESIGNED BY  
ora-İto



- Multi system oven
- Colour: Black
- Handle colour: Brushed stainless steel
- Control panel material: Glass

- Efficiency**
- BigSpace gross/net: **66 / 65 l**
  - SuperSize baking area
  - HomeMADE® modelled on traditional wood-fired bread oven

- Control**
- Mechanic temperature control
  - Push-Pull knobs

**Heating types**



- Features**
- Oven illumination

- Accessories**
- Deep enamelled pan
  - Shallow enamelled pan
  - Grid • Wire oven guides
  - Stainless grease filter

- Safety systems**
- Thermoelectric fuse
  - Dynamic oven cooling - DC
  - CoolDoor
  - Mechanic door safety bolt

- EasyCleaning**
- AquaClean function
  - Eco enamel (oven and baking tray)
  - Smooth oven door surface

**Technical data**

- Energy consumption: **0,79 kWh** (venting)  
**0,87 kWh** (conventional)
- Product dimensions (HxWxD): **59,5 × 59,7 × 56,5 cm**
- Niche dimensions min-max (HxWxD): **59-60 × 56-56,8 × 55 cm**

- EAN code: **3838942525483**
- Product code: **242083**



- Multi system oven
- Colour: White
- Handle colour: Brushed stainless steel
- Control panel material: Glass

- Efficiency**
- BigSpace gross/net: **66 / 65 l**
  - SuperSize baking area
  - HomeMADE® modelled on traditional wood-fired bread oven

- Control**
- Mechanic temperature control
  - Push-Pull knobs

**Heating types**



- Features**
- Oven illumination

- Accessories**
- Deep enamelled pan
  - Shallow enamelled pan
  - Grid • Wire oven guides
  - Stainless grease filter

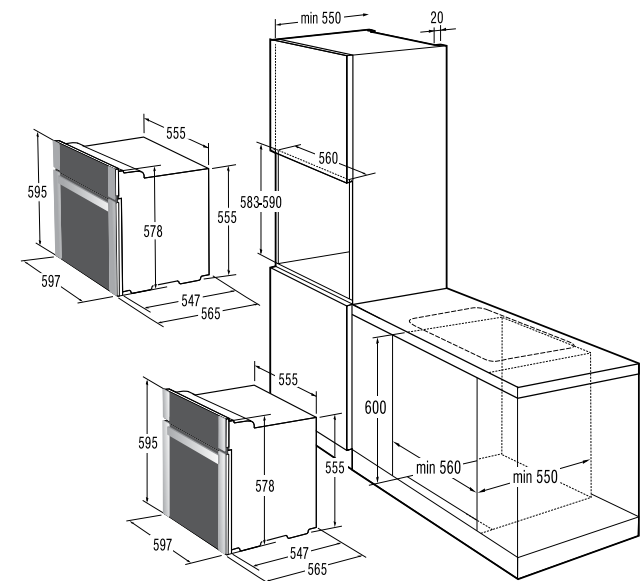
- Safety systems**
- Thermoelectric fuse
  - Dynamic oven cooling - DC
  - CoolDoor
  - Mechanic door safety bolt

- EasyCleaning**
- AquaClean function
  - Eco enamel (oven and baking tray)
  - Smooth oven door surface

**Technical data**

- Energy consumption: **0,79 kWh** (venting)  
**0,87 kWh** (conventional)
- Product dimensions (HxWxD): **59,5 × 59,7 × 56,5 cm**
- Niche dimensions min-max (HxWxD): **59-60 × 56-56,8 × 55 cm**

- EAN code: **3838942574252**
- Product code: **259558**



**BO 71 ORA...**



2  
YEAR  
GUARANTEE

### BM 6250 ORA-W

Built-in microwave oven with grill

DESIGNED BY  
ora-ito



2  
YEAR  
GUARANTEE

### BM 6250 ORA-X

Built-in microwave oven with grill

59,3  
← cm →

39  
↑  
↓  
cm

- Colour: White
- Inner oven material: Stainless steel oven interior

#### Efficiency

- Oven volume: **23 l**
- Number of power levels: **5**
- Max microwave power: **900 W**

#### Control

- Electronic control

#### Heating types



#### Functions

- Defrost function by weight

#### Safety systems

- Child lock

#### Accessories

- Illumination
- Rotating plate
- Plate diameter: 27 cm

#### Technical data

- Product dimensions (H×W×D): **39 × 59.3 × 41 cm**
- Niche dimensions (H×W×D): **36,5 × 56,6 × 55 cm**

- EAN code: **3838942720413**
- Product code: **336877**

59,3  
← cm →

39  
↑  
↓  
cm

- Colour: Black
- Inner oven material: Stainless steel oven interior

#### Efficiency

- Oven volume: **23 l**
- Number of power levels: **5**
- Max microwave power: **900 W**

#### Control

- Electronic control

#### Heating types



#### Functions

- Defrost function by weight

#### Safety systems

- Child lock

#### Accessories

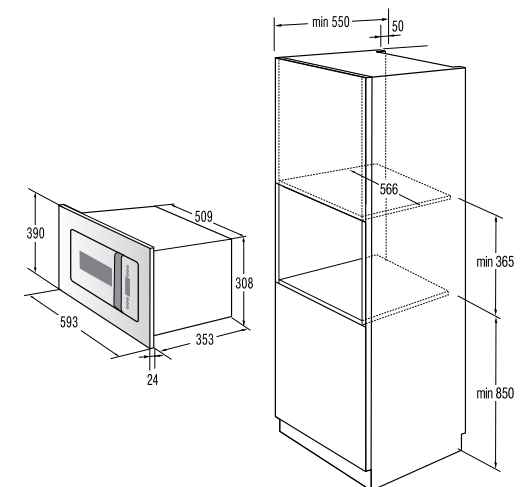
- Illumination
- Rotating plate
- Plate diameter: 27 cm

#### Technical data

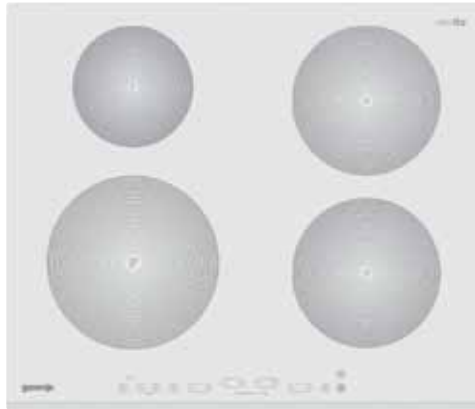
- Product dimensions (H×W×D): **39 × 59.3 × 41 cm**
- Niche dimensions (H×W×D): **36,5 × 56,6 × 55 cm**

- EAN code: **3838942720406**
- Product code: **336876**

DESIGNED BY  
ora-ito



BM 6250 ORA...



**IT 641 ORA-W**  
Induction hob

DESIGNED BY  
ora-Īto



**IT 641 ORA**  
Induction hob

DESIGNED BY  
ora-Īto



- Colour: White
- Chamfered front edge

**Control**

- SmartControl
- Timer function

**Features**

- BoilControl, prevents pots from boiling over
- SmartSense security function
- Enhanced performance with Powerboost
- StopGo
- SuperSilent
- StayWarm function
- Soft melt function

**Cooking surface**

- 4 induction cooking zones
- Left front: Ø 21 cm, 2,3/3,7 kW
- Right front: Ø 18 cm, 1,85/3 kW
- Left behind: Ø 14,5 cm, 1,4/2,2 kW
- Right behind: Ø 18 cm, 1,85/3 kW

**Safety and durability**

- Residual heat indicator
- Safety control hob lock

**Technical data**

- Connected load: **7,4 kW**
- Product dimensions (HxWxD): **4,7 × 60 × 51 cm**
- Niche dimensions (HxWxD): **4,3 × 56 × 49 cm**
- EAN code: **3838942669408**
- Product code: **303818**



- Colour: Black
- Chamfered front edge

**Control**

- SmartControl
- Timer function

**Features**

- BoilControl, prevents pots from boiling over
- SmartSense security function
- Enhanced performance with Powerboost
- StopGo
- SuperSilent
- StayWarm function
- Soft melt function

**Cooking surface**

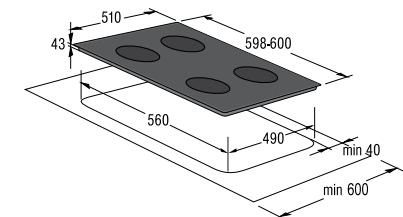
- 4 induction cooking zones
- Left front: Ø 21 cm, 2,3/3,7 kW
- Right front: Ø 18 cm, 1,85/3 kW
- Left behind: Ø 14,5 cm, 1,4/2,2 kW
- Right behind: Ø 18 cm, 1,85/3 kW

**Safety and durability**

- Residual heat indicator
- Safety control hob lock
- Safety function

**Technical data**

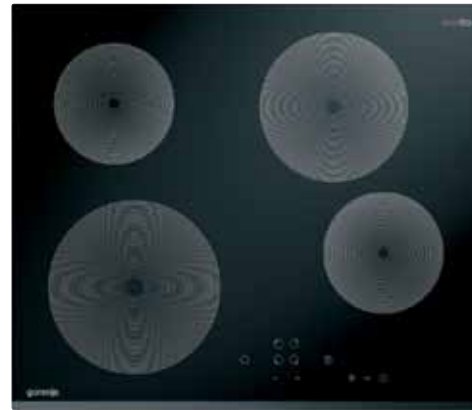
- Connected load: **7,4 kW**
- Product dimensions (HxWxD): **4,7 × 60 × 51 cm**
- Niche dimensions (HxWxD): **4,3 × 56 × 49 cm**
- EAN code: **3838942669095**
- Product code: **303817**



**IT 641 ORA...**

5  
YEAR  
GUARANTEE

**ECT 610 ORA-W**  
Glass ceramic hob

DESIGNED BY  
ora-ito5  
YEAR  
GUARANTEE

**ECT 610 ORA**  
Glass ceramic hob

DESIGNED BY  
ora-ito

- Colour: White
- Chamfered front edge

#### Control

- Touch control

#### Features

- BoilControl, prevents pots from boiling over

#### Cooking surface

- 4 HiLight cooking zones
- Left front: Ø 21 cm, 2,3 kW
- Right front: Ø 14,5 cm, 1,2 kW
- Left behind: Ø 14,5 cm, 1,2 kW
- Right behind: Ø 18 cm, 1,8 kW

#### Safety and durability

- Residual heat indicator
- Safety control hob lock

#### Technical data

- Connected load: **6,5 kW**
- Product dimensions (HxWxD):  
**5,4 × 60 × 51 cm**
- Niche dimensions (HxWxD):  
**5 × 56 × 49 cm**

- EAN code: **3838942559051**
- Product code: **257212**



- Colour: Black
- Chamfered front edge

#### Control

- Touch control

#### Features

- BoilControl, prevents pots from boiling over

#### Cooking surface

- 4 HiLight cooking zones
- Left front: Ø 21 cm, 2,3 kW
- Right front: Ø 14,5 cm, 1,2 kW
- Left behind: Ø 14,5 cm, 1,2 kW
- Right behind: Ø 18 cm, 1,8 kW

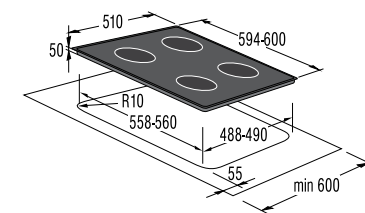
#### Safety and durability

- Residual heat indicator
- Safety control hob lock

#### Technical data

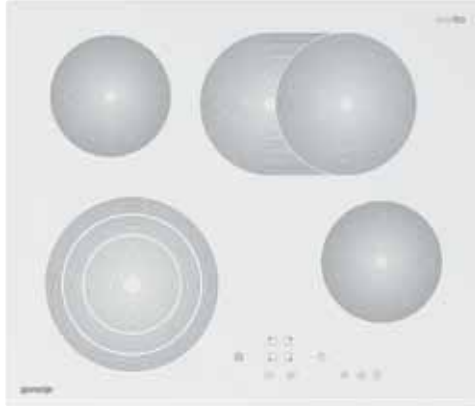
- Connected load: **6,5 kW**
- Product dimensions (HxWxD):  
**5,4 × 60 × 51 cm**
- Niche dimensions (HxWxD):  
**5 × 56 × 49 cm**

- EAN code: **3838942525803**
- Product code: **303817**



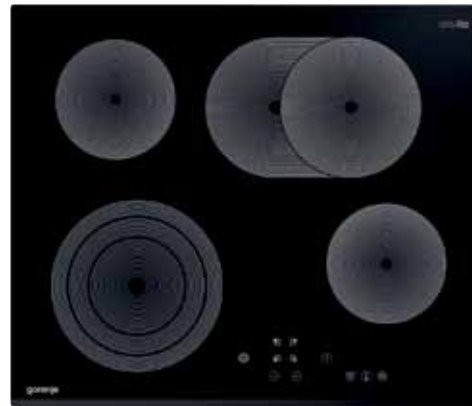
**ECT 640 ORA...**

Please note due to the manufacturing process the colour of this hob is not pure white and it may not match the Ora-İto white oven.



**ECT 680 ORA-W**  
Glass ceramic hob

DESIGNED BY  
ora-ito



**ECT 680 ORA**  
Glass ceramic hob

DESIGNED BY  
ora-ito



**GHS 64 ORA-W**  
Gas on tempered glass

DESIGNED BY  
ora-ito



- Colour: White
- Chamfered front edge

**Control**

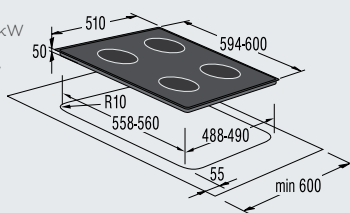
- Touch control
- Timer function

**Features**

- BoilControl, prevents pots from boiling over
- StopGo
- StayWarm function

**Cooking surface**

- 4 HiLight cooking zones
- Left front: Ø 21/17,5/12 cm, 2,3 kW
- Right front: Ø 14,5 cm, 1,2 kW
- Left behind: Ø 14,5 cm, 1,2 kW
- Right behind: Ø 26,5x17 cm, 2,4 kW



**Safety and durability**

- Residual heat indicator
- Safety control hob lock

**Technical data**

- Connected load: **7,1 kW**
- Product dimensions (HxWxD): **5,4 × 60 × 51 cm**
- Niche dimensions (HxWxD): **5 × 56 × 49 cm**
- EAN code: **3838942559068**
- Product code: **245929**



- Colour: Black
- Chamfered front edge

**Control**

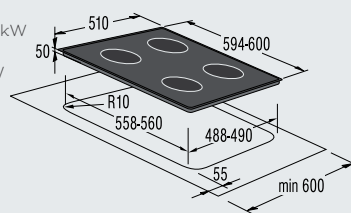
- Touch control
- Timer function

**Features**

- BoilControl, prevents pots from boiling over
- StopGo
- StayWarm function

**Cooking surface**

- 4 HiLight cooking zones
- Left front: Ø 21/17,5/12 cm, 2,3 kW
- Right front: Ø 14,5 cm, 1,2 kW
- Left behind: Ø 14,5 cm, 1,2 kW
- Right behind: Ø 26,5x17 cm, 2,4 kW



**Safety and durability**

- Residual heat indicator
- Safety control hob lock

**Technical data**

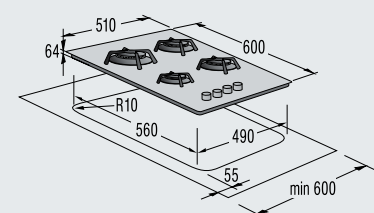
- Connected load: **7,1 kW**
- Product dimensions (HxWxD): **5,4 × 60 × 51 cm**
- Niche dimensions (HxWxD): **5 × 56 × 49 cm**
- EAN code: **3838942525810**
- Product code: **242086**



- Colour: White
- Gas on tempered glass
- Bevelled edges

**Cooking surface**

- 1 auxiliary burner, 1 large burner, 2 standard burners
- Left front: Ø 9 cm, 3 kW
- Right front: Ø 5 cm, 1 kW
- Left behind: Ø 6 cm, 1,75 kW
- Right behind: Ø 6 cm, 1,75 kW
- Single-handed ignition
- Flame failure protected burners
- LPG jets included



**Technical data**

- Connected load: **7.5kW**
- Product dimensions (HxWxD): **10,5 × 60 × 51 cm**
- Niche dimensions (HxWxD): **6,4 × 56 × 49 cm**
- EAN code: **3838942590849**
- Product code: **265791**





**DKG 552 ORA-W**  
Wall mounted cooker hood

DESIGNED BY  
ora-ito



**DKG 552 ORA-S**  
Wall mounted cooker hood

DESIGNED BY  
ora-ito



- Colour: White
- Construction type: Wall hood
- Venting with air extraction or recirculation

#### Efficiency

- Maximum extraction rate by extraction operation: **600 m<sup>3</sup>/h**
- Maximum extraction rate by recirculation operation: **332 m<sup>3</sup>/h**
- Venting tube diameter: **14,9 cm**
- Noise level (max.): **64 dB(A)**

#### Control

- Control type: Electronic
- Control setting: Switch
- Number of speed settings: 3

#### Features

- Lamp type: Halogen
- Number of lights: 2
- Power of lights: **40 W**
- Perimetric suction

#### Accessories

- Filter material: Aluminium
- No return airflow flap: 150 mm
- Charcoal filter 241850

#### Technical data

- Dimensions of the product (width x depth): **55 x 38,8 cm**
- Height: **510 mm**
- Min. height of the chimney: **465 mm**
- Max. height of the chimney: **890 mm**

- EAN code: **3838942606748**
- Product code: **274961**



- Colour: Black
- Construction type: Wall hood
- Venting with air extraction or recirculation

#### Efficiency

- Maximum extraction rate by extraction operation: **600 m<sup>3</sup>/h**
- Maximum extraction rate by recirculation operation: **332 m<sup>3</sup>/h**
- Venting tube diameter: **14,9 cm**
- Noise level (max.): **64 dB(A)**

#### Control

- Control type: Electronic
- Control setting: Switch
- Number of speed settings: 3

#### Features

- Lamp type: Halogen
- Number of lights: 2
- Power of lights: **40 W**
- Perimetric suction

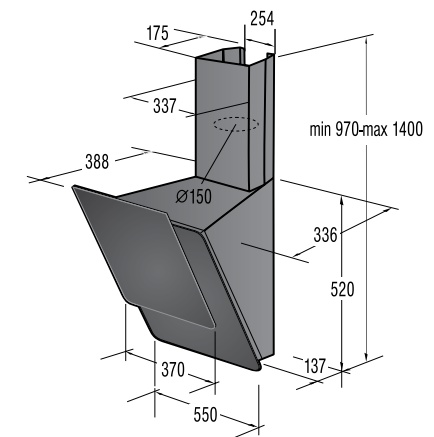
#### Accessories

- Filter material: Aluminium
- No return airflow flap: 150 mm
- Charcoal filter 241850

#### Technical data

- Dimensions of the product (width x depth): **55 x 38,8 cm**
- Height: **510 mm**
- Min. height of the chimney: **465 mm**
- Max. height of the chimney: **890 mm**

- EAN code: **3838942374692**
- Product code: **173147**



**DKG 552 ORA...**



888

simplicity

gorenje

# LESS DECISION MORE LIFE

The Gorenje Simplicity collection has been created to meet the demands of our customers busy lives. Easy-to-use interaction, minimalist aesthetic relying on quality materials and eco friendly.

DESIGNED BY  
Gorenje Design Studio



# SIMPLICITY LIFE



Life is complex. Its pace is accelerating. It offers hundreds of choices, demanding ever more decisions. Stealing time. Ignoring simple little indulgencies. STOP! Life could be simple. Adjusted to your own pace. Take less decisions, grab more life. Join the SIMPLICITY trend. Value your time. Save it from tough decisions, control, wasting energy, money. Start living simple.

- **With a single logical knob**

SIMPLICITY offers the most logical choices - the ones, being actually used. Just one attractive knob serves all.

- **With deliberate design**

SIMPLICITY indulges your sight with well considered form and with authentic materials. Saves your energy with ergonomics: without unnecessary movements and time-consuming search of right selections.

- **With cost-effective operation**

SIMPLICITY respects the environment: with low energy consumption, reduced water consumption, and with silent operation.

- **At affordable price**

SIMPLICITY is friendly to your purse: only what is really used, is paid. This is enabled with the state-of-the-art achievements that are built-in the appliances.





▽  
**Illuminated? Turn the knob to the left.**

'You can adjust the intensity of extraction of the Simplicity cooker hood by a simple turn of the knob. If you turn the knob to the left it will also turn on the light. If you turn the knob to the right, the extractor will continue working at the same intensity without the light.



▽  
**Simple! All clearly visible and accessible.**

The cooker hood is the simplest additional source of light above a cooking hob. Easy to access, the extractor fan's easily removable metal grease-filters are dishwasher safe. No fuss!



▽  
**Energy:  
Save it**

Refrigerators of an A+ standard have excellent insulation, improved door sealants and state of the art cooling components. These decrease energy consumption to a minimum. Save energy, protect the environment and your income.



▷ **Frost free DualAdvance:  
No defrosting**

The latest technology prevents frost from forming on perishables inside the freezer. Stop wasting hours on time-consuming defrosting. It simply isn't necessary!



▽  
**Rather do it tomorrow? No problem.**

The machine can be loaded as you go along; the start of the wash, however, can be delayed up to 24 hours.



▽  
**17 Minutes? Enough for clean laundry.**

Modern washing detergents and advanced technology deliver excellent washing results even at lower temperatures and in remarkably short time. Select the »Cotton 30°C« programme - it can be set to be completed in no more than 17 minutes. When the clothes you just can't live without are only lightly soiled, this is the perfect solution for you. What is more, the already low power consumption will be even lower.



**WA 714 SYB**  
Freestanding washing machine



**WA 614 SYW**  
Freestanding washing machine



• Colour: Black

**Efficiency**

- Special drum construction OptiDrum
- Spin speed (RPM): **1400 rpm**
- Washer load: **1-7 kg**
- Drum volume: **54 l**

**Control**

- LED display

**15 programmes**

- Programmes: Cotton / Synthetics / Delicate and silk / Wool program / Hand wash • Pre-Wash

**Special programmes**

- Eco program - 30°C

**Features**

- Self cleaning program SterilTub
- Rinse hold
- Presetting time delay of washing
- Adjustable spin speed
- Temperature setting

**UseLogic technology**

- Detergent Saving System DSS

**Safety and durability**

- Partial AquaStop • Carbotech

**Technical data**

- Energy consumption kWh/year: **206 kWh**
- Annual water consumption: **11063 l**
- Noise level (max.): **76 dB(A)**
- Product dimensions (HxWxD): **85 x 60 x 60 cm**

- EAN code: **3838942855832**
- Product code: **406244**



• Colour: White

**Efficiency**

- Standard collector motor
- Special drum construction OptiDrum
- Spin speed: **1400 rpm**
- Washer load: **1-6 kg**
- Drum volume: **54 l**

**Control**

- LED display

**15 programmes**

- Programmes: Cotton / Synthetics / Delicate and silk / Wool / Hand wash • Prewash

**Features**

- Self cleaning program SterilTub
- Rinse hold
- Presetting time delay of start
- Adjustable spin speed
- Temperature setting

**UseLogic technology**

- Detergent Saving System DSS

**Safety and durability**

- Partial AquaStop
- Overflow protection
- Stability Control (SCS)
- Carbotech

**Technical data**

- Energy consumption kWh/year: **197 kWh**
- Annual water consumption: **10670 l**
- Noise level (max.): **76 dB(A)**
- Product dimensions (HxWxD): **85 x 60 x 60 cm**

- EAN code: **3838942610639**
- Product code: **276297**



**D 7 SYB**  
Freestanding condenser tumble dryer



**D 6 SYW**  
Freestanding condenser tumble dryer



**DFD 72 SYB**  
Dishwasher decor panel



• Colour: Black

#### Efficiency

• Load **1-7 kg** • Drum volume: **117 l** • Drum illumination with LED light • Big door: 34 cm • Door opening angle: 180 ° • Reversible drum action

#### Control

• LED indicator

#### 12 programmes

• Programmes: Cotton / Synthetics / Mix / XL programme / Refresh • Drying time selection: Step setting

#### Functions

• Lower temperature of drying • Antcrease / Cooling (10 min)

#### Features

• Easy filter cleaning • LED phase indicator • Signal for "full water container" • Vacuum feet • DelayStart

#### UseLogic technology

• Humidity sensor • Service diagnostic indicator

#### Safety and durability

• Protective thermostat • Automatic switch off when door is open • Stainlesssteel drum

#### Technical data

• Noise level: **65 dB(A)**  
• Energy consumption kWh/year: **504 kWh**  
• Drying time selection: Step setting  
• Product dimensions (HxWxD): **85 × 60 × 62 cm**

• EAN code: **3838942855825**  
• Product code: **406265**



• Colour: White

#### Efficiency

• Load **1-6 kg**  
• Drum volume: **117 l**  
• Drum illumination with LED light  
• Big door: 34 cm  
• Door opening angle: 180 °  
• Reversible drum action  
• Direct discharge of condensate AutoDrain

#### Control

• LED indicator

#### 12 programmes

• Programmes: Cotton / Synthetics / Mix / XL programme / Refresh • Drying time selection: Step setting

#### Functions

• Lower temperature of drying  
• Antcrease  
• Cooling (10 min)

#### Features

• FiltrationSupreme • LED phase indicator • Signal for "full water container" • Vacuum feet • DelayStart

#### UseLogic technology

• Humidity sensor • Service diagnostic indicator

#### Safety and durability

• Protective thermostat • Automatic switch off when door is open • Stainlesssteel drum

#### Technical data

• Noise level: **65 dB(A)**  
• Energy consumption kWh/year: **284 kWh**  
• Drying time selection: Step setting  
• Product dimensions (HxWxD): **85 × 60 × 62 cm**

• EAN code: **3838942614934**  
• Product code: **278179**



• Front material: Metal/Glass  
• Handle colour: Stainless steel  
• For use with fully integrated dishwasher

#### Technical data

• Product dimensions (HxWxD): **71,7 × 59,6 × 6 cm**

• EAN code: **3838942610462**  
• Product code: **276641**

Also available in white (DFD 72 SYW).



**NRK 68 SY...**  
Freestanding fridge freezer



- Reversible door opening

**Efficiency**

- 1 compressor
- Total gross/net volume:  
**328 / 305 l**
- Capacity of cooling compartment: gross/net:  
**231 / 230 l**
- Capacity of freezer compartment: gross/net:  
**97 / 75 l**
- Freezing capacity in 24 hours:  
**4 kg/24h**
- Power cut safe time: **18 h**

**Control**

- Electronic control SensoTech

**Features**

- Frost Free: In the whole freezer compartment
- Programme Eco

**Equipment of refrigerator**

- Interior light in refrigerator
- Type of interior light: Standard
- Number of shelves: 4
- Number of removable shelves: 2
- Bottle holder
- 2 vegetable drawers
- Egg bin: 1x12
- 3 door shelves
- FreshZone drawer

**Equipment of freezer** \* \*\* \*\*

- Drawer(s) for fast freezing: 1

**Technical data**

- Energy consumption kWh/24h:  
**0,799 kWh**
- Energy consumption kWh/year:  
**292 kWh**
- Level of noise (max.): **41 dB(A)**
- Product dimensions (HxWxD):  
**180 x 60 x 64 cm**



**NRK 68 SYB**

- Black - EAN code: **3838942854842**, Product code: **405751**



**NRK 68 SYW**

- White - EAN code: **3838942899683**, Product code: **444678**

NRK 68 SYW comes with a European plug as standard.





5 YEAR  
GUARANTEE

**BO 75 SYW**  
Built-in single oven



5 YEAR  
GUARANTEE

**BO 75 SYB**  
Built-in single oven



- Multi system oven
- Colour: White
- Handle colour: Stainless steel
- Control panel material: Glass

#### Efficiency

- BigSpace gross/net: **66 / 65 l**
- SuperSize baking area
- HomeMADE\* modelled on traditional wood-fired bread oven

#### Control

- Electronic control
- Temperature display with Touch control

#### Heating types



#### Features

- Oven illumination
- Fast preheating

#### Accessories

- Deep enamelled pan
- Shallow enamelled pan
- Grid
- Telescopic oven guides - 2 levels

#### Safety systems

- Thermoelectric fuse
- Dynamic oven cooling - DC
- CoolDoor
- Mechanic door safety bolt

#### EasyCleaning

- AquaClean function
- Eco enamel (oven and baking tray)
- Smooth oven door surface

#### Technical data

- Energy consumption:  
**0,79 kWh** (venting)  
**0,87 kWh** (conventional)
- Product dimensions (HxWxD):  
**59,5 × 59,7 × 56,5 cm**
- Niche dimensions (HxWxD):  
**59-60 × 56-56,8 × 55 cm**
- EAN code: **3838942610295**
- Product code: **276631**



- Multi system oven
- Colour: Black
- Handle colour: Stainless steel
- Control panel material: Glass

#### Efficiency

- BigSpace gross/net: **66 / 65 l**
- SuperSize baking area
- HomeMADE\* modelled on traditional wood-fired bread oven

#### Control

- Electronic control
- Temperature display with Touch control

#### Heating types



#### Features

- Oven illumination
- Fast preheating

#### Accessories

- Deep enamelled pan
- Shallow enamelled pan
- Grid
- Telescopic oven guides - 2 levels

#### Safety systems

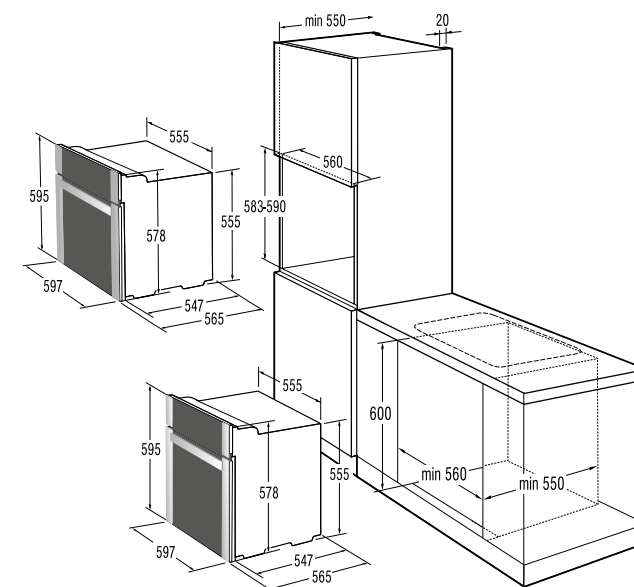
- Thermoelectric fuse
- Dynamic oven cooling - DC
- CoolDoor
- Mechanic door safety bolt

#### EasyCleaning

- AquaClean function
- Eco enamel (oven and baking tray)
- Smooth oven door surface

#### Technical data

- Energy consumption:  
**0,79 kWh** (venting)  
**0,87 kWh** (conventional)
- Product dimensions (HxWxD):  
**59,5 × 59,7 × 56,5 cm**
- Niche dimensions (HxWxD):  
**59-60 × 56-56,8 × 55 cm**
- EAN code: **3838942610271**
- Product code: **276630**



**BO 75 SYW / BO 75 SYB**



**IT 612 SYW**  
Induction hob



**IT 612 SYB**  
Induction hob



**ECT 6 SYW**  
Glass ceramic hob



- Colour: White
- Bevelled edges

**Control**

- Touch control
- Timer function

**Features**

- Enhanced performance with Powerboost
- SuperBoost
- AllBoost
- PowerControl
- SuperSilent
- EasyClean

**Cooking surface**

- 4 induction zones
- Left front: Ø 18,5 cm, 1,4/2 kW
- Right front: Ø 16,5 cm, 1,2/1,4 kW
- Left behind: Ø 16,5 cm, 1,2/1,4 kW
- Right behind: Ø 20,5 cm, 2/2,3 kW

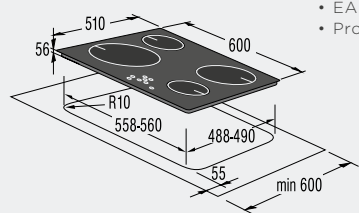
**Safety and durability**

- Residual heat indicator
- Safety function

**Technical data**

- Connected load: **7,1 kW**
- Product dimensions (HxWxD): **5,6 × 60 × 51 cm**
- Niche dimensions (HxWxD): **5,2 × 56 × 49 cm**

- EAN code: **3838942813603**
- Product code: **389602**



- Colour: Black
- Bevelled edges

**Control**

- Touch control
- Timer function

**Features**

- Enhanced performance with Powerboost
- SuperBoost
- AllBoost
- PowerControl
- SuperSilent
- EasyClean

**Cooking surface**

- 4 induction zones
- Left front: Ø 18,5 cm, 1,4/2 kW
- Right front: Ø 16,5 cm, 1,2/1,4 kW
- Left behind: Ø 16,5 cm, 1,2/1,4 kW
- Right behind: Ø 20,5 cm, 2/2,3 kW

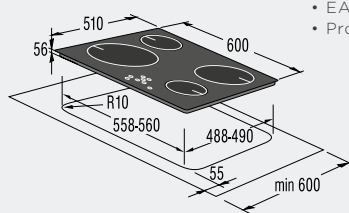
**Safety and durability**

- Residual heat indicator
- Safety function

**Technical data**

- Connected load: **7,1 kW**
- Product dimensions (HxWxD): **5,6 × 60 × 51 cm**
- Niche dimensions (HxWxD): **5,2 × 56 × 49 cm**

- EAN code: **3838942813597**
- Product code: **389601**



- Colour: White
- Bevelled edges

**Control**

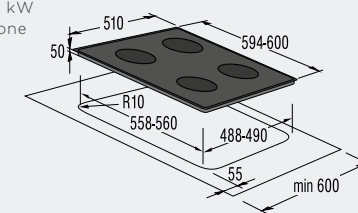
- Touch control
- Timer function

**Features**

- BoilControl, prevents pots from boiling over
- StopGo
- StayWarm function

**Cooking surface**

- 4 HiLight cooking zones
- Left front: Ø heating zone 21/12 cm, 2,2 kW
- Right front: Ø 14,5 cm, 1,2 kW
- Left behind: Ø 14,5 cm, 1,2 kW
- Right behind: Ø heating zone 18/12 cm, 1,7 kW



**Safety and durability**

- Residual heat indicator
- Safety control hob lock
- Safety function

**Technical data**

- Connected load: **6,3 kW**
- Product dimensions (HxWxD): **5,4 × 60 × 51 cm**
- Niche dimensions (HxWxD): **5 × 56 × 49 cm**

- EAN code: **3838942610431**
- Product code: **276636**

5  
YEAR  
GUARANTEE

**ECT 6 SYB**  
Glass ceramic hob

5  
YEAR  
GUARANTEE

**G 6 SYW**  
Gas hob

5  
YEAR  
GUARANTEE

**G 6 SYB**  
Gas hob



- Colour: Black
- Bevelled edges

#### Control

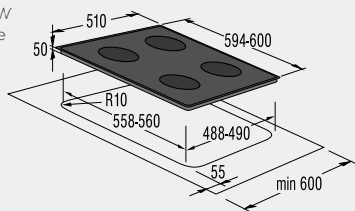
- Touch control
- Timer function

#### Features

- BoilControl, prevents pots from boiling over
- StopGo
- StayWarm function

#### Cooking surface

- 4 HiLight cooking zones
- Left front:  
Ø heating zone 21/12 cm, 2,2 kW
- Right front: Ø 14,5 cm, 1,2 kW
- Left behind: Ø 14,5 cm, 1,2 kW
- Right behind: Ø heating zone 18/12 cm, 1,7 kW



#### Safety and durability

- Residual heat indicator
- Safety control hob lock
- Safety function

#### Technical data

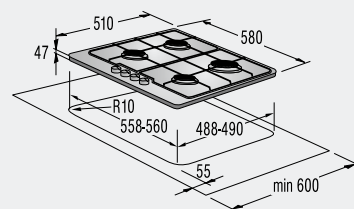
- Connected load: **6,3 kW**
- Product dimensions (HxWxD):  
**5,4 × 60 × 51 cm**
- Niche dimensions (HxWxD):  
**5 × 56 × 49 cm**
- EAN code: **3838942610417**
- Product code: **276636**

58  
← cm →

- Colour: White

#### Cooking surface

- 4 burners: 2 standard burners, 1 auxiliary burner, 1 triple burner
- Left front: Ø 6,9 cm, 1,9 kW
- Right front: Ø 4,6 cm, 1 kW
- Left behind: Ø 6,9 cm, 1,9 kW
- Right behind: Ø 13,2 cm, 3,5 kW
- Single-handed ignition
- Flame failure protected burners
- LPG jets included



#### Technical data

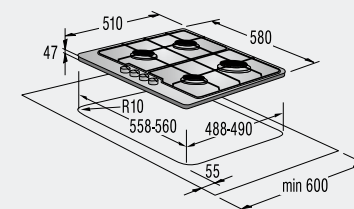
- Connected load: **8.3 kW**
- Product dimensions (HxWxD):  
**10,7 × 58 × 51 cm**
- Niche dimensions (HxWxD):  
**4,7 × 56 × 49 cm**
- EAN code: **3838942620218**
- Product code: **280700**

58  
← cm →

- Colour: Black

#### Cooking surface

- 4 burners: 2 standard burners, 1 auxiliary burner, 1 triple burner
- Left front: Ø 6,9 cm, 1,9 kW
- Right front: Ø 4,6 cm, 1 kW
- Left behind: Ø 6,9 cm, 1,9 kW
- Right behind: Ø 13,2 cm, 3,5 kW
- Single-handed ignition
- Flame failure protected burners
- LPG jets included



#### Technical data

- Connected load: **8.3 kW**
- Product dimensions (HxWxD):  
**10,7 × 58 × 51 cm**
- Niche dimensions (HxWxD):  
**4,7 × 56 × 49 cm**
- EAN code: **3838942619991**
- Product code: **280699**

G6 SYW comes with a European plug as standard.

G6 SYB comes with a European plug as standard.



5 YEAR  
GUARANTEE

**DT 9 SYW**  
Wall mounted cooker hood



**DT 9 SYB**  
Wall mounted cooker hood



89,8  
← cm →

- Aluminium coloured housing
- Construction type: Wall hood
- Venting with air extraction or recirculation

**Efficiency**

- Maximum extraction rate by extraction operation: **680 m<sup>3</sup>/h**
- Maximum extraction rate by recirculation operation: **420 m<sup>3</sup>/h**
- Venting tube diameter: **15 cm**
- Noise level (max.): **62 dB(A) re 1 pW**

**Control**

- Control type: Mechanic control
- Control setting: Simplicity knob for easy control
- Number of speed settings: 3

**Features**

- Lamp type: Halogen
- Number of lights: 2
- Power of lights: **40 W**

**Accessories**

- Filter material: Aluminium
- No return airflow flap: 150 mm
- Charcoal filter: **273828**

**Technical data**

- Dimensions of the product (width x depth): **89,8 × 45,4 cm**
- Height: **100 mm**
- Min. height of the chimney: **658 mm**
- Max. height of the chimney: **1188 mm**

- EAN code: **3838942609701**
- Product code: **276844**

89,8  
← cm →

- Aluminium coloured housing
- Construction type: Wall hood
- Venting with air extraction or recirculation

**Efficiency**

- Maximum extraction rate by extraction operation: **680 m<sup>3</sup>/h**
- Maximum extraction rate by recirculation operation: **420 m<sup>3</sup>/h**
- Venting tube diameter: **15 cm**
- Noise level (max.): **62 dB(A) re 1 pW**

**Control**

- Control type: Mechanic control
- Control setting: Simplicity knob for easy control
- Number of speed settings: 3

**Features**

- Lamp type: Halogen
- Number of lights: 2
- Power of lights: **40 W**

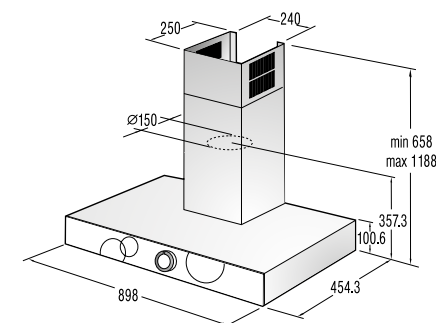
**Accessories**

- Filter material: Aluminium
- No return airflow flap: 150 mm
- Charcoal filter: **273828**

**Technical data**

- Dimensions of the product (width x depth): **89,8 × 45,4 cm**
- Height: **100 mm**
- Min. height of the chimney: **658 mm**
- Max. height of the chimney: **1188 mm**

- EAN code: **3838942609695**
- Product code: **276843**



**DT 9 SYW / DT 9 SYB**



5  
YEAR  
GUARANTEE

**DT 6 SYB**  
Wall mounted cooker hood



5  
YEAR  
GUARANTEE

**DT 6 SYW**  
Wall mounted cooker hood



59,8  
← cm →

- Aluminium coloured housing
- Construction type: Wall hood
- Venting with air extraction or recirculation

#### Efficiency

- Maximum extraction rate by extraction operation: **680 m<sup>3</sup>/h**
- Maximum extraction rate by recirculation operation: **420 m<sup>3</sup>/h**
- Venting tube diameter: **15 cm**
- Noise level (max.): **62 dB(A) re 1 pW**

#### Control

- Control type: Mechanic control
- Control setting: Simplicity knob for easy control
- Number of speed settings: 3

#### Features

- Lamp type: Halogen
- Number of lights: 2
- Power of lights: **40 W**

#### Accessories

- Filter material: Aluminium
- No return airflow flap: 150 mm
- Charcoal filter: **273828**

#### Technical data

- Dimensions of the product (width x depth): **59,8 × 45,4 cm**
- Height: **100 mm**
- Min. height of the chimney: **658 mm**
- Max. height of the chimney: **1188 mm**
- EAN code: **3838942609718**
- Product code: **276845**

59,8  
← cm →

- Aluminium coloured housing
- Construction type: Wall hood
- Venting with air extraction or recirculation

#### Efficiency

- Maximum extraction rate by extraction operation: **680 m<sup>3</sup>/h**
- Maximum extraction rate by recirculation operation: **420 m<sup>3</sup>/h**
- Venting tube diameter: **15 cm**
- Noise level (max.): **62 dB(A) re 1 pW**

#### Control

- Control type: Mechanic control
- Control setting: Simplicity knob for easy control
- Number of speed settings: 3

#### Features

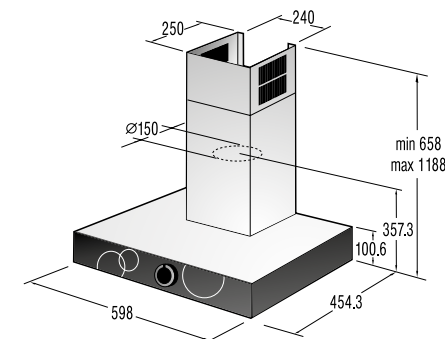
- Lamp type: Halogen
- Number of lights: 2
- Power of lights: **40 W**

#### Accessories

- Filter material: Aluminium
- No return airflow flap: 150 mm
- Charcoal filter: **273828**

#### Technical data

- Dimensions of the product (width x depth): **59,8 × 45,4 cm**
- Height: **100 mm**
- Min. height of the chimney: **658 mm**
- Max. height of the chimney: **1188 mm**
- EAN code: **3838942609725**
- Product code: **276846**



**DT 6 SYW / DT 6 SYB**



FROM PLAIN  
COLD TO  
JUST COOL

Superior technology with a brand new image and a charming touch of nostalgia. The rounded convex design is the hallmark of the entire collection of perfectly designed, economical, and environment-friendly state-of-the-art appliances. Discover your retro style! Chic, Vintage, or Funky?

DESIGNED BY  
Gorenje Design Studio



**Chic**

Gorenje Retro Chic collection will appeal above all to those that appreciate modern classics, minimalism with select pieces of elegant furniture; the resolute visionaries who contend that "less is more" and seek perfect harmony.



**Vintage**

Gorenje Retro Vintage collection will intrigue the nostalgic romantics who love natural colours. The collection will arouse the attention of those who indulge in the pleasures classic arts and love new images with a seasoned character.



**Funky**

Gorenje Retro Funky collection was created for the playful eternal optimists and curious travellers who just love to be free; the adrenaline lovers for whom sky is the limit.



▽  
**Large vegetable crisper**

Gorenje refrigerators provide optimal cooling conditions for the storage of fruit and vegetables. In addition to maintaining just the right temperature and humidity, certain models also come with a large capacity fruit and vegetable crisper designed to preserve the nutrients and prolong the freshness of your food: a great solution for your weekly shopping.



▽  
**Fan system**

To provide uniformly distributed temperature across the refrigerator, we have installed a fan into the appliance interior. The fan propels air circulation, thus improving the cooling performance. Such system will preserve the food and ready-made dishes for a longer period of time, regardless of which shelf the food is stored on. Furthermore, the fan prevents accumulation of dew or condensate on glass shelves and appliance interior walls.



▽  
**ECO CARE** **A++ energy efficiency**

A bigger volume does not necessarily translate into a bigger electricity bill. In addition to excellent heat insulation, Gorenje fridges and freezers also feature improved door sealing, as well as state-of-the-art cooling system components and refrigeration electronics, all of which are designed to minimise energy consumption. Choosing one of Gorenje's highly energy efficient cooling appliances with energy performance rating A++, A+ or A can bring you energy savings of up to 25%. Appliances which are 15 or more years old, consume up to three times more energy than new ones.





### Deep shelves in the freezer door

Innovative shelves in the freezer door make it easy to locate and access smaller frozen items, which are taken out more frequently. Ideal for open packs of frozen vegetables such as peas and green beans, frozen pizzas, ice cream pops and cones... you name it!



### ▽ Bottle holder

In Gorenje refrigerators, bottles do not take up the space that could be conveniently used to store other items in the refrigerator door racks or on glass shelves; the designated bottle holder ensures optimum use of storage space. In addition, due to its slight inclination, it will safely store even the bottles that have already been opened.



### ▽ The benefit of glass shelves

Glass shelves in Gorenje refrigerators are made of safety glass. They are highly resistant and can withstand up to 40 kilograms of weight. They are cooler than wire racks. In case of spillage, the fluid will not drip onto the shelf below. Compact glass shelves provide excellent support even to food in small and narrow packaging. Glass shelves are easy to clean.



### ▽ Deep door bottle shelf

This highly practical shelf enables a systematic storage of items that are taken out of the refrigerator with the highest frequency: upright cartons and 2 litre bottles can be stored in the deep holder at the back while smaller items and jars can be placed in the shallow holder in the front. The shelf is positioned in the most accessible, easy-to-see spot, which also makes it within easy reach of children.



**RB 60299...**  
Freestanding refrigerator

Gorenje Retro Collection



- Self closing hinge

**Efficiency**

- 1 compressor
- Total gross/net volume:  
**288 / 281 l**
- Capacity of cooling compartment: gross/net:  
**262 / 255 l**
- Capacity of freezer compartment: gross/net:  
**26 / 26 l**
- Freezing capacity in 24 hours:  
**2 kg/24h**
- Power cut safe time: **18 h**

**Control**

- Mechanic control

**Features**

- Fan-assisted cooling in fridge
- SuperCool

**Equipment of refrigerator**

- Interior light in refrigerator
- Type of interior light: Standard
- Number of shelves: 4
- Number of removable shelves: 3
- Bottle holder
- 1 vegetable drawer
- Egg bin: 1x12
- Number of door shelves: 3
- Dairy shelf

**Equipment of freezer**

- Storage compartment(s) with door for frozen food: 1
- 1 ice tray

**Technical data**

- Energy consumption kWh/24h:  
**0,536 kWh**
- Energy consumption kWh/year:  
**196 kWh**
- Level of noise (max.): **42 dB(A)**
- Product dimensions (HxWxD):  
**154 x 60 x 64 cm**



**RB 60299 OC/OC-L**  
Freestanding refrigerator

**RB 60299 OBK/OBK-L**  
Freestanding refrigerator

- Colour: Cream
- Door opening:  
Right (RB 60299 OC)  
Left (RB 60299 OC-L)
- EAN code:  
**3838942897078** (RB 60299 OC)  
**3838942898693** (RB 60299 OC-L)
- Product code:  
**444941** (RB 60299 OC)  
**444778** (RB 60299 OC-L)

- Colour: Black
- Door opening:  
Right (RB 60299 OBK)  
Left (RB 60299 OBK-L)
- EAN code:  
**3838942897054** (RB 60299 OBK)  
**3838942934810** (RB 60299 OBK-L)
- Product code:  
**444943** (RB 60299 OBK)  
**416675** (RB 60299 OBK-L)



**RB 60299 OR/OR-L**  
Freestanding refrigerator

- Colour: Burgundy
- Door opening:  
Right (RB 60299 OR)  
Left (RB 60299 OR-L)
- EAN code:  
**3838942897061** (RB 60299 OR)  
**3838942934827** (RB 60299 OR-L)
- Product code:  
**444942** (RB 60299 OR)  
**416677** (RB 60299 OR-L)



**RB 60299 ORD/ORD-L**  
Freestanding refrigerator

- Colour: Fire red
- Door opening:  
Right (RB 60299 ORD)  
Left (RB 60299 ORD-L)
- EAN code:  
**3838942896644** (RB 60299 ORD)  
**3838942897344** (RB 60299 ORD-L)
- Product code:  
**444985** (RB 60299 ORD)  
**444913** (RB 60299 ORD-L)



**RB 60299 OGR**  
Freestanding refrigerator

- Colour: Lime green
- Door opening: Right
- EAN code: **3838942896675**
- Product code: **444982**



**RB 60299 OO**  
Freestanding refrigerator

- Colour: Juicy orange
- Door opening: Right
- EAN code: **3838942896651**
- Product code: **444984**



**RB 60299 OP**  
Freestanding refrigerator

- Colour: Raspberry pink
- Door opening: Right
- EAN code: **3838942896668**
- Product code: **444983**



**RB 60299 OW**  
Freestanding refrigerator

- Colour: White
- Door opening: Right
- EAN code: **3838942896637**
- Product code: **444986**



**RF 60309...**  
Freestanding fridge freezer

Gorenje Retro Collection



• Self closing hinge

**Efficiency**

- 1 compressor
- Total gross/net volume:  
**296 / 294 l**
- Capacity of cooling compartment: gross/net:  
**231 / 229 l**
- Capacity of freezer compartment: gross/net:  
**65 / 65 l**
- Freezing capacity in 24 hours:  
**4,5 kg/24h**
- Power cut safe time: **22 h**

**Control**

- Mechanic control

**Features**

- Fan-assisted cooling in fridge
- SuperCool
- FastFreeze

**Equipment of refrigerator**

- Interior light in refrigerator
- Type of interior light: Standard
- Number of shelves: 4
- Number of removable shelves: 2
- Bottle holder
- 1 vegetable drawer
- Egg bin: 1x12
- Number of door shelves: 2
- Dairy shelf

**Equipment of freezer**

- Storage compartment(s) with door for frozen food: 1
- 1 shelf in freezer door
- 1 ice tray

**Technical data**

- Energy consumption kWh/24h:  
**0,583 kWh**
- Energy consumption kWh/year:  
**213 kWh**
- Level of noise (max.): **39 dB(A)**
- Product dimensions (HxWxD):  
**173,7 x 60 x 64 cm**



**RF 60309 OC/OC-L**  
Freestanding fridge freezer

**RF 60309 OBK/OBK-L**  
Freestanding fridge freezer

- Colour: Cream
- Door opening:  
Right (RF 60309 OC)  
Left (RF 60309 OC-L)
- EAN code:  
**3838942899386** (RF 60309 OC)  
**3838942898716** (RF 60309 OC-L)
- Product code:  
**444708** (RF 60309 OC)  
**444776** (RF 60309 OC-L)

- Colour: Black
- Door opening:  
Right (RF 60309 OBK)  
Left (RF 60309 OBK-L)
- EAN code:  
**3838942899379** (RF 60309 OBK)  
**3838942934858** (RF 60309 OBK-L)
- Product code:  
**444709** (RF 60309 OBK)  
**416681** (RF 60309 OBK-L)



**RF 60309 OR/OR-L**  
Freestanding fridge freezer

- Colour: Burgundy
- Door opening:  
Right (RF 60309 OR)  
Left (RF 60309 OR-L)
- EAN code:  
**3838942899256** (RF 60309 OR)  
**3838942934865** (RF 60309 OR-L)
- Product code:  
**444721** (RF 60309 OR)  
**416682** (RF 60309 OR-L)



**RF 60309 OCH**  
Freestanding fridge freezer

- Colour: Chocolate
- Door opening: Right
- EAN code: **3838942899522**
- Product code: **444694**

RF 60309 OCH comes with a European plug as standard.



**RF 60309 OCO**  
Freestanding fridge freezer

- Colour: Royal coffee
- Door opening: Right
- EAN code: **3838942899515**
- Product code: **444695**

RF 60309 OCO comes with a European plug as standard.



**RK 60359...**  
Freestanding fridge freezer

Gorenje Retro Collection



- Self closing door hinge

**Efficiency**

- 1 compressor
- Total gross/net volume:  
**342 / 321 l**
- Capacity of cooling compartment: gross/net:  
**231 / 229 l**
- Capacity of freezer compartment: gross/net:  
**111 / 92 l**
- Freezing capacity in 24 hours:  
**4 kg/24h**
- Power cut safe time: **21 h**

**Control**

- Mechanic control

**Features**

- Fan-assisted cooling in fridge
- SuperCool

**Equipment of refrigerator**

- Interior light in refrigerator
- Type of interior light: Standard
- Number of shelves: 4
- Number of removable shelves: 3
- Bottle holder
- 1 vegetable drawer
- Egg bin: 1x12
- Number of door shelves: 2
- Dairy shelf

**Equipment of freezer**

- Drawer(s) for fast freezing: 1
- 2 door shelves in freezer compartment
- 1 ice tray

**Technical data**

- Energy consumption kWh/24h:  
**0,628 kWh**
- Energy consumption kWh/year:  
**229 kWh**
- Level of noise (max.): **41 dB(A)**
- Product dimensions (H×W×D):  
**188,7 × 60 × 64 cm**



**RK 60359 OC/OC-L**  
Freestanding fridge freezer

**RK 60359 OBK/OBK-L**  
Freestanding fridge freezer

- Colour: Cream
- Door opening:  
Right (RK 60359 OC)  
Left (RK 60359 OC-L)
- EAN code:  
**3838942899362** (RK 60359 OC)  
**3838942898709** (RK 60359 OC-L)
- Product code:  
**444710** (RK 60359 OC)  
**444777** (RK 60359 OC-L)

- Colour: Black
- Door opening:  
Right (RK 60359 OBK)  
Left (RK 60359 OBK-L)
- EAN code:  
**3838942899355** (RK 60359 OBK)  
**3838942934834** (RK 60359 OBK-L)
- Product code:  
**444709** (RK 60359 OBK)  
**416679** (RK 60359 OBK-L)



**RK 60359 OR/OR-L**  
Freestanding fridge freezer

- Colour: Burgundy
- Door opening:  
Right (RK 60359 OR)  
Left (RK 60359 OR-L)
- EAN code:  
**3838942899225** (RK 60359 OR)  
**3838942934841** (RK 60359 OR-L)
- Product code:  
**444724** (RK 60359 OR)  
**416680** (RK 60359 OR-L)



**RK 60359 OCH**  
Freestanding fridge freezer

- Colour: Chocolate
- Door opening: Right
- EAN code: **3838942899560**
- Product code: **444690**

RK 60359 OCH comes with a European plug as standard.



**RK 60359 OCO**  
Freestanding fridge freezer

- Colour: Royal coffee
- Door opening: Right
- EAN code: **3838942899607**
- Product code: **444686**

RK 60359 OCO comes with a European plug as standard.





# WHITE SENSATION UltraWHITE

Innovative UltraWhite program, specially adjusted to the type of laundry, harnesses expert knowledge and experience of Gorenje experts. In combination with the right choice of washing method SensoCARE it is a witness to the excellent understanding of the modern needs of the consumers. Washing machine efficiency is based on the SensorIQ technology that automatically optimizes the washing process and provides safe operation. Perfect care of your laundry is delivered in the shortest possible time and with minimum energy consumed.

- Excellent A+++<sup>(-20%)</sup> energy efficiency.
- Logical choice of programs and other settings
- SensoCARE - 4 washing modes
- Special programs adjusted to the type of laundry
- Carefully thought-out ergonomic solutions
- High-quality, durable materials and components
- Carefully thought-out ergonomic solutions
- High-quality and durable materials and components

# PERFECT WHITENESS

## Highly efficient laundry care

Perfect laundry care requires the right combination of temperature, water, time, tumbling rhythm, and detergent. Gorenje experts relied on years of experience and their expert knowledge to devise an innovative solution for efficient care of laundry.

## UltraWHITE program

Preserving the whiteness of your delicate laundry  
UltraWHITE program is intended for care of white delicate laundry such as synthetics, silk, nylon, lace, which, due to the specific character of the fabric, cannot be washed at high temperatures. The laundry will receive excellent care at a temperature of no more than 30°C, owing to adjusted tumbling rhythm and more water. Regular white laundry would take on a greyish or yellowish appearance and lose its white sheen. UltraWHITE program will make sure your white laundry actually stays white.

**UltraWHITE**



### Excellent energy efficiency

Many innovative solutions like the efficient program algorithms, OptiDrum washing machine drum, and QuickWet efficient soaking system, combined with the intelligent SensorIQ sensor technology deliver excellent energy efficiency. Gorenje's top models boast A+++<sup>-20%</sup> rating, which means they use half less power than an A energy class appliance.



### 9 kg XXL load



The Ultra large-capacity can take up to 9 kg of laundry, allowing you to optimise your loads while also ensuring perfect washing results. The ergonomically designed, extra large 34 cm porthole door makes it much easier to load and empty the drum even when washing blankets, bedding or other larger laundry items. On selected models, a light comes on inside the drum when the door is opened, making it easier for you to inspect the content.



### StainExpert

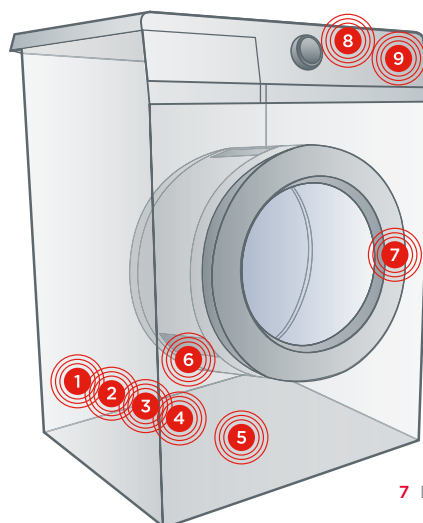
Assistance in dealing with the most stubborn stains it may often be the case that inappropriate washing method will additionally work a stain into the fabric, reducing the possibility to remove it in subsequent washes. Gorenje's high-end models offer a special function for effective removal of the most common stubborn stains. Choose the most appropriate among the four offered groups of stains to make sure the laundry is washed effectively.

- **Fruit:** oranges, strawberries, bananas, tomato sauce, fruit mashes etc.
- **Coffee:** tea, coffee, cocoa, chocolate, yoghurt, pasta, lipstick etc.
- **Wine:** red wine, dark fruit juices, blueberries, red beet, ink etc.
- **Organic:** fat, oil, butter, eggs, blood, grass, etc.



### TimeComfort

The laundry is washed when you want it. Most washing machines offer the option to delay the start of the washing cycle by up to 24 hours in advance. In addition to the **StartDelay** function, high-end models offer the **EndTime** function allowing you to set the time you wish the washing cycle to end. The machine will, depending on the selected program, automatically calculate the right washing start time. You will be able use lower night power rates as well as make sure the laundry is washed at a time that is convenient for you to dry it.



- 1 Load sensor, 2 Stability control sensor, 3 RPM sensor, 4 Motor temperature sensor, 5 TotalAquaStop sensor, 6 Temperature sensor, 7 Door lock, 8 Hydrostat, 9 Water level sensor



### SensorIQ sensor technology

Always optimum use of power, water, and time. Gorenje washing machines feature numerous sensors that continuously monitor the washing progress. Based on the information collected, the intelligent SensorIQ technology automatically adjusts the washing process to the selected program, type, and weight of the laundry. Optimum results, in addition to considerable savings in power, water, and time, are guaranteed.



### TotalWeight control – Automatic recognition of laundry weight

Using a weight sensor, the washing machine automatically adjusts the washing program to the actual amount of laundry in the drum. In addition to savings in water and power, it also allows silent and quiet operation of the machine and prolongs the appliance's useful life.



### OptiDrum - easy movement for your laundry

Gorenje washing machines look after your laundry with an innovative designed drum. Large volume allows for movement even when washing larger amounts of laundry. Drum perforation is carefully thought out so that the size, shape, and number of holes provide lower water and power consumption. Wave-shaped 3D ribs gently move the laundry towards the rear part of the drum and then lift it towards the top. Tilted design of the interior door glass also contributes to this process. OptiDrum will make sure your laundry gets the best possible care.



### SterilTub - Clean machine for clean laundry

The solution for pleasantly smelling laundry. Washing at lower temperatures with non-aggressive environmentally friendly detergents allows the bacteria lurking in the washing machine tub to develop. These bacteria can cause laundry that may have been normally washed and dried to emit an unpleasant odour as soon as it comes into contact with moisture. SterilTub program will make sure your washing machine interior is impeccably clean to allow the best care of your laundry.

# FRIENDLY TECHNOLOGY



## Simple control

Laundry care in only three steps Ergonomically designed tilted control panel provides excellent view and control over the washing process and the selected settings. Further more, it allows simple choice of the right program, washing mode, and other special settings. The steps are arranged in a logical sequence, from left to right. Centrally positioned programme selector on the control panel allows perfect grip; turning it to the right, you may access the most commonly used programs. In high-end models, these are followed by an LCD display offering four different washing modes. Lastly, additional functions are offered; when these are selected, all that is left is to press the Start button. LCD display offers the possibility to set your own language, choosing from 33 preset options.

## Symbol description

	Load 1-9 kg		FiberTech tub material		SterilTub self-cleaning program
	Load 1-8 kg		CarboTech tub material		OptiDrum, perfect laundry soaking
	Load 1-7 kg		AquaStop, spill protection		LED display
	Load 1-6 kg		Super silent operation		Electronic unit with LCD
	Door opening 34 cm		Cold wash at 15°C		Drum illumination with LED light

# NEW GORENJE WASHING MACHINES WITH REMARKABLE CAPACITY OF 9-KILOGRAMS



▽  
The ultra large drum allows the laundry to tumble comfortably, which leads to better washing results and less creasing. Regardless of the amount of laundry, washing effect will be excellent even with smaller loads. Therefore, the ever efficient use of water, energy and time will make Gorenje's new 9-kilogram washing machines an excellent choice for large and small households. Heavy duty, flexible, economical, and reliable! Washing machine with the **largest drum volume** among the 9-kilogram models in the market is still within **standard dimensions** and will therefore fit any home.



Amount of laundry washed in 6 kg washing machine (left) and 9 kg washing machine (right).



## ▽ High capacity even for a diverse load of laundry

New program choices offered by the new 9-kilogram washing machines and more efficient detergents that deliver the desired effect at low temperatures allow you to wash a diverse batch of laundry at the same time better and safer than ever. Without waiting until a sufficient amount of laundry of a particular colour or fabric piles up.



## ▽ New convenience for the largest items.

Large items like blankets, spreads, and covers which you are used to taking to the dry cleaners can now be washed at home. Loading and unloading are made simple by the door opening with a diameter of 34 centimeters and the door that opens to a 180° angle.



**W 9665 K**  
Washing machine

Advanced Line



### Efficiency

- PowerDrive • Special drum construction OptiDrum • Spin speed (RPM): **1600 rpm** • Washer load: **1-9 kg** • Drum volume: **64 l** • Drum illumination with LED light

### Control

- Electronic unit with LCD

### 23 programmes

- Programmes: Cotton / Synthetics / Wool program / Hand wash / Quick programme • Pre-Wash

### Special programmes

- BioWash • UltraWhite • PerfectBlack • NightWash • MyFavorite • Sport • Eco program - 30°C

### Features

- Self cleaning program SterilTub • Pump STOP • Presetting time delay of washing • Adjustable spin

- speed • Temperature setting • Preset washing EndTime • Audio signal SoftSound

### SensorIQ technology

- Intensive soaking QuickWet • 4-D soaking • Detergent Saving System DSS

### Safety and durability

- Partial AquaStop • Child protection (CDP) • FiberTech

### Technical data

- Energy consumption kWh/year: **174 kWh**
- Annual water consumption: **11470 l**
- Level of noise (max.): **76 dB(A)**
- Product dimensions (H×W×D): **85 × 60 × 60 cm**

- EAN code: **3838942915529**
- Product code: **415606**



**W 8644 H**  
Washing machine

Advanced Line



**W 8444**  
Washing machine

Essential Line



**W 7443 L**  
Washing machine

Essential Line



**Efficiency**

- Special drum construction OptiDrum • Spin speed (RPM): **1400 rpm** • Washer load: **8 kg**
- Drum volume: **64 l** • Drum illumination with LED light

**Control**

- Electronic unit with LCD

**23 programmes**

- Programmes: Cotton / Synthetics / Wool program / Hand wash / Quick programme • Pre-Wash

**Special programmes**

- BioWash • UltraWhite • PerfectBlack • NightWash • MyFavorite • Sport • Eco program - 30°C

**Features**

- Self cleaning program SterilTub
- Pump STOP • Presetting time delay of washing • Adjustable spin speed • Temperature setting •

Preset washing EndTime • Audio signal SoftSound

**SensorIQ technology**

- Intensive soaking QuickWet • 4-D soaking • Detergent Saving System DSS

**Safety and durability**

- Partial AquaStop • Child protection (CDP) • FiberTech

**Technical data**

- Energy consumption kWh/year: **169 kWh**
- Annual water consumption: **11280 l**
- Level of noise (max.): **72 dB(A)**
- Product dimensions (HxWxD): **85 x 60 x 60 cm**

- EAN code: **3838942915512**
- Product code: **415605**



**Efficiency**

- Special drum construction OptiDrum • Spin speed (RPM): **1400 rpm** • Washer load: **8 kg** • Drum volume: **64 l**

**Control**

- LED display

**23 programmes**

- Programmes: Cotton / Synthetics / Wool program / Hand wash / Quick programme • Pre-Wash

**Special programmes**

- BioWash • UltraWhite • PerfectBlack • NightWash • MyFavorite • Sport • Eco program - 30°C

**Features**

- Self cleaning program SterilTub
- Pump STOP • Presetting time delay of washing • Adjustable spin speed • Temperature setting •

Audio signal SoftSound

**SensorIQ technology**

- Intensive soaking QuickWet • 4-D soaking • Detergent Saving System DSS

**Safety and durability**

- Child protection (CDP) • FiberTech

**Technical data**

- Energy consumption kWh/year: **169 kWh**
- Annual water consumption: **11280 l**
- Level of noise (max.): **76 dB(A)**
- Product dimensions (HxWxD): **85 x 60 x 60 cm**

- EAN code: **3838942915000**
- Product code: **414847**



**Efficiency**

- Special drum construction OptiDrum • Spin speed (RPM): **1400 rpm** • Washer load: **1-7 kg** • Drum volume: **54 l**

**Control**

- LED display

**23 programmes**

- Programmes: Cotton / Synthetics / Wool program / Hand wash / Quick programme • Pre-Wash

**Special programmes**

- BioWash • UltraWhite • PerfectBlack • NightWash • MyFavorite • Sport • Eco program - 30°C

**Features**

- Self cleaning program SterilTub
- Pump STOP • Presetting time delay of washing • Adjustable spin speed • Temperature setting •

**Features**

- Self cleaning program SterilTub
- Pump STOP • Presetting time delay of washing • Adjustable spin speed • Temperature setting • Audio signal SoftSound

**SensorIQ technology**

- Detergent Saving System DSS

**Safety and durability**

- Partial AquaStop • Child protection (CDP) • Carbotech

**Technical data**

- Energy consumption kWh/year: **169 kWh**
- Annual water consumption: **9960 l**
- Level of noise (max.): **72 dB(A)**
- Product dimensions (HxWxD): **85 x 60 x 60 cm**

- EAN code: **3838942915017**
- Product code: **414846**



Matching  
tumble dryer  
on page 63



**NEW**  
5 YEAR  
GUARANTEE

**NEW**  
2 YEAR  
GUARANTEE

**W 7543 LR**  
Washing machine

Essential Line

**W 6222**  
Washing machine

Primary Line

<b>A<sup>++</sup></b> Energy Class	<b>A</b> Spinning Efficiency
60 cm	85 cm
7 kg	33 cm

• Colour: Fire red

**Efficiency**

Special drum construction • OptiDrum • Spin speed (RPM): **1400 rpm** • Washer load: **1-7 kg** • Drum volume: **54 l**

**Control**

• LED display

**23 Programmes**

• Programmes: Cotton / Synthetics / Wool program / Hand wash / Quick programme • Pre-Wash

**Special programmes**

• BioWash • UltraWhite • PerfectBlack • NightWash • MyFavorite • Sport • Eco program - 30°C

**Features**

• Self cleaning program SterilTub • Pump STOP • Presetting time delay of start • Adjustable spin speed • Temperature setting • Audio signal SoftSound

**SensorIQ technology**

• Detergent Saving System DSS

**Safety and durability**

• Partial AquaStop • Child protection (CDP) • Carbotech

**Technical data**

• Energy consumption kWh/year: **169 kWh**  
• Annual water consumption: **9960 l**  
• Level of noise (max.): **72 dB(A)**  
• Product dimensions (HxWxD): **85 x 60 x 60 cm**

• EAN code: **3838942911705**  
• Product code: **412631**

<b>A<sup>+</sup></b> Energy Class	<b>B</b> Spinning Efficiency
60 cm	85 cm
6 kg	34 cm

**Efficiency**

• Special drum construction • OptiDrum • Spin speed (RPM): **1200 rpm** • Washer load: **1-6 kg** • Drum volume: **54 l**

**Control**

• LED indicator • Adjustable spin speed

**18 programmes**

• Programmes: Cotton / Synthetics / Wool program / Hand wash / Quick programme • Pre-Wash

**Special programmes**

• UltraWhite • PerfectBlack • Eco program - 30°C

**Features**

• Self cleaning program SterilTub • Pump STOP • Temperature setting

**SensorIQ technology**

• Detergent Saving System DSS

**Safety and durability**

• Child protection (CDP) • Carbotech

**Technical data**

• Energy consumption kWh/year: **167 kWh**  
• Annual water consumption: **10250 l**  
• Level of noise (max.): **74 dB(A)**  
• Product dimensions (HxWxD): **85 x 60 x 60 cm**

• EAN code: **3838942915505**  
• Product code: **349207**









### WDI 63113

Washer dryer - fully integrated

### WI 73110

Washing machine - fully integrated

<b>B</b> Energy Class	<b>A</b> Washing Efficiency	<b>C</b> Spinning Efficiency	<b>C</b> Drying Efficiency
-----------------------	-----------------------------	------------------------------	----------------------------

59 cm	82 cm	6 kg	Carbo Tech
-------	-------	------	------------

#### Efficiency

- Spin speed (RPM): **1100 rpm** • Washer load **1-6 kg** • Dryer load: **4 kg** • Drum volume: **48 l** • Door opening angle: 160 °

#### Control

- Electronic unit with LCD

#### 15 programmes washing

- Programmes: Cotton / Synthetics / Delicate and silk / Wool program / Hand wash

#### Special programmes washing

- Easy ironing • Intensive washing • Cold wash • Pump STOP • Extra rinsing

#### Programmes drying

- Anticrease

#### Features

- Pump STOP • Cold wash • Energy-saving electric heater • Temperature setting • Start delay:

24h • Pressetting time delay of washing

#### UseLogic technology

- Soaking system: Shower system

#### Safety and durability

- Child protection (CDP) • Time-attendance door lock • Carbotech

#### Technical data

- Energy consumption kWh/year: **970 kWh**
- Annual water consumption: **21000 l**
- Level of noise (max.): **73 dB(A)**
- Product dimensions (HxWxD): **82 x 59 x 55 cm**
- Niche dimensions (HxWxD): **83 x 60 x 57,5 cm**

- EAN code: **3838942370168**
- Product code: **171567**

<b>A+</b> Energy Class	<b>C</b> Spinning Efficiency
------------------------	------------------------------

59 cm	82 cm	7 kg	Carbo Tech	LCD
-------	-------	------	------------	-----

#### Efficiency

- Standard collector motor • Spin speed (RPM): **1100 rpm** • Washer load **1-7 kg** • Drum volume: **48 l**

#### Control

- Electronic unit with LCD

#### 15 programmes

- Programmes: Prewash / Cotton / Synthetics / Delicate and silk / Wool program / Hand wash • Pre-Wash

#### Special programmes

- Easy ironing

#### Features

- Rinse hold • Presetting time delay of washing • Adjustable spin speed • Preset washing EndTime

#### UseLogic technology

- Detergent Saving System DSS

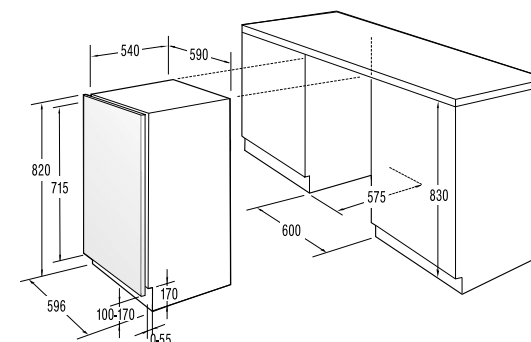
#### Safety and durability

- Child protection (CDP) • Stability Control (SCS) • Carbotech

#### Technical data

- Energy consumption kWh/year: **197 kWh**
- Annual water consumption: **12760 l**
- Level of noise (max.): **78 dB(A)**
- Product dimensions (HxWxD): **82 x 59 x 54 cm**
- Niche dimensions (HxWxD): **83 x 60 x 57,5 cm**

- EAN code: **3838942739859**
- Product code: **345937**



WDI 63113 / WI 73110

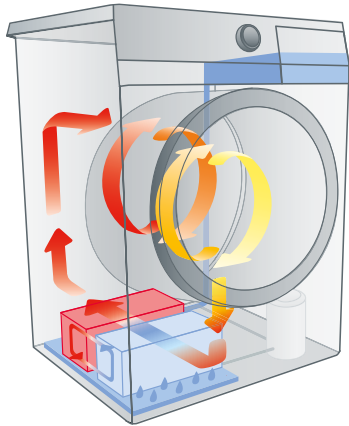


# SOFTNESS SENSATION UltraSOFT

Laundry dryers boast cutting-edge drying and crease prevention procedures. SensorIQ intelligent sensor technology optimizes the drying procedure and thus excellently preserves the laundry while keeping power consumption very low. You may choose between regular NormalCARE drying and the temperature-adjusted GentleCARE method. Programs tailored to modern lifestyle and additional settings make sure the operation is safe and that your laundry is excellently preserved.

- SteamTech steam drying technology
- IonTech straightening the fabrics by an air ionizer
- TwinAir bi-directional air blowing system
- SensoCARE adjusted drying program
- Condenser dryer fitted with a heat pump
- Extra large drum volume 120 l

# EXCEPTIONAL RESULTS



## Condenser dryer with a heat pump

Exceptionally economical drying Condenser dryer with a heat pump dries the laundry at a lower temperature than the conventional models, which additionally preserves the clothes. It is the only home appliance to use both the cooling and the heating part of the heat pump. Full use leads to up to 40% reduction in energy consumption relative to the A class.

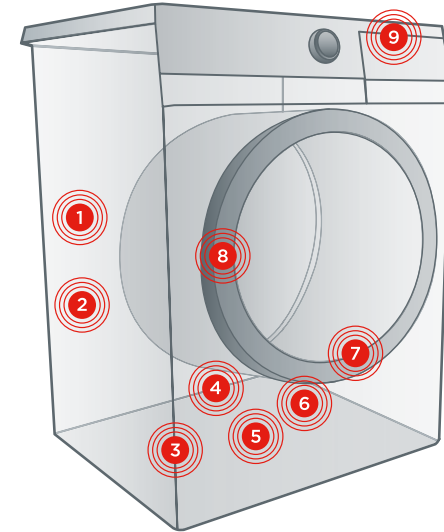


## SteamTech - perfection without ironing

Perfectly smoothed and freshened laundry. New technology in laundry care employs steam to straighten every crease and wrinkle. Ironing your cotton and mixed fabric laundry will now be much easier - or even not required at all! An independent remarkable steam drying program for shirts will particularly please those who strongly dislike ironing. Simply place up to five clean shirts into the dryer; it will take only 20 minutes to dry them and remove all creases using steam. Refreshment program is perfect for clothes that have recently been worn but are not ready for washing yet, or clothes that have been in the closet for a while. It will remove any unpleasant odour and make them soft, without washing.



SteamTech programmes	Programme description
<b>Shirts</b>	This programme can dry up to five washed shirts and treat them with steam so that they can be stored in the closet immediately after drying.
<b>Cotton</b>	Refreshment and smoothing of the creases on dried cotton laundry.
<b>Mix</b>	Refreshment and smoothing of the creases on dried mixed fabric laundry.
<b>Synthetics</b>	Refreshment and smoothing of the creases on laundry with synthetic fibres.
<b>Bed linen</b>	Refreshment and smoothing of the creases on bedding.
<b>Refreshment</b>	Steam treatment of laundry that is not dirty, but needs refreshment (e.g. seasonal clothes that were stored in the closet for a while).



1 Thermo fuse, 2 Self resetting thermostat, 3 Heat exchanger temperature sensor, 4 Motor temperature sensor, 5 Air temperature sensor, 6 Compressor temperature sensor, 7 Humidity sensor, 8 Door switch, 9 Water level sensor



## SensorIQ

Your laundry dried just right every time! SensorIQ intelligent technology automatically adjusts the drying process according to the selected program, type of laundry, and desired level of dryness. The moisture/humidity sensor continuously adjusts the drying time to the moisture level in the laundry. When the sensor perceives that the selected level of dryness has been reached, it automatically stops the dryer. The clothes are just right for ironing, dry, cupboard dry, or very dry - as you like it.



 **SensoCARE technology**













Customized drying Gorenje dryers allow you to select the drying method that is the most convenient for you.

**NormalCARE** includes optimized drying programs for all types of laundry. For even friendlier laundry care, you may select **GentleCARE** which allows drying at lower temperature to preserve your garments.

▽ **Simple control**

Desired results in only three steps Ergonomically designed control panel allows simple control of the drying process; the steps follow from right to left. Most commonly used drying programs are placed on the left side of the control dial. Next to the dial, there is the section with additional settings such as delayed start of the drying cycle or drying at low temperature, supported by LED indicators and an LCD display. The control panel ends with the start and pause button on the left hand side of the dryer. Such design of the control panel allows the user a simple and friendly drying experience.

**Symbol description**

	Load 1-9 kg
	Load 1-7 kg
	Door opening 35 cm
	SensoCARE, 2 drying modes
	TwinAir - effective laundry drying
	Condenser dryer with a heat pump
	IonTech unique fibre treatment
	SensorIQ sensor controlled Drying
	Electronic unit with LCD
	LED display
	AutoDrain - direct discharge of Condensate
	Basket for drying

# BIG VOLUME AND UP TO 9 KG LOAD



## More dry laundry at a time

Gorenje dryers can take up to 9 kg loads; in terms of capacity (120 l), this makes them superior to other comparable products on the market and ensures optimal drying of larger loads. The door that opens out to a full 180 degrees and conveniently large, 35 cm wide door opening makes it easier to load and empty the drum when drying large items such as blankets, curtains, covers or cushions. Some models have also been fitted with a LED light inside the drum, which allows you better overview and easy process of loading and unloading.



## Easy-to-clean filter

For optimal drying performance, regular cleaning of the filter and emptying of the condensed water container is required. The filter, conveniently positioned on the dryer door, is easily accessible and its ergonomic design makes it just as exceptionally easy to clean.



**D 9664 E**  
Heat pump condenser dryer

Advanced Line

A+ Energy Class	60 cm	85 cm
9 kg	35 cm	IQ
35cm	LED	auto
35cm	LED	auto

### Efficiency

- SensoCARE • Dryer load: Large drum volume - **9 kg 120 l** • IonTech • TwinAir • Heat pump • Drum volume: **120 l** • Drum illumination with LED light • Big door: 35 cm • Door opening angle: 180 ° • Reversible drum action • Direct discharge of condensate • AutoDrain

### Control

- Electronic unit with LCD

### 27 programmes

- Programmes: Cotton / Synthetics / Delicates / Mix / Wool / XL programme • SteamTech

### Functions

- Lower temperature of drying • Anticrease

### Features

- Audio signal SoftSound • Basket for drying • Easy filter cleaning

- Wash phase indicator • Signal for "full water container" • Digital display of remaining functioning time • Vacuum feet • Personal settings for all programmes • DelayStart • Comes complete with vacuum feet for stacking

### SensorIQ

- Humidity sensor • Service diagnostic indicator

### Safety and durability

- Protective thermostat • Automatic switch off when door is open • Child protection (CDP) • Stainlesssteel drum

### Technical data

- Noise level: **65 dB(A)**
- Energy consumption kWh/year: **262 kWh**
- Product dimensions (H×W×D): **85 × 60 × 60 cm**

- EAN code: **3838942914645**
- Product code: **415235**



 Matching washing machine on page 55

 **NEW**  
 **2 YEAR GUARANTEE**

 **NEW**  
 **5 YEAR GUARANTEE**

**D 744 BJ**  
Condenser dryer

Essential Line

**D 754 BJR**  
Condenser dryer

Essential Line

**B** Energy Class

60 cm → 85 cm ↑ (7 kg) 35 cm ←

 **LED** 

**B** Energy Class

60 cm → 85 cm ↑ (7 kg) 35 cm ←

 **LED**

**Efficiency**

• SensoCARE • Dryer load: **1-7 kg** • Drum volume: **117 l** • Drum illumination with LED light • Big door: 35 cm • Door opening angle: 180° • Reversible drum action • Direct discharge of condensate AutoDrain

**Control**

• LED display

**15 programmes**

• Programmes: Cotton / Synthetics / Delicates / Mix / Wool / XL programme

**Functions**

• Lower temperature of drying • Anticrease • Cooling (10 min)

**Features**

• Audio signal SoftSound • Easy filter cleaning • LED phase indicator • Signal for "full water

container" • Digital display of remaining functioning time • Vacuum feet • Personal settings for all programmes • DelayStart • Comes complete with vacuum feet for stacking

**SensorIQ**

• Humidity sensor • Service diagnostic indicator

**Safety and durability**

• Protective thermostat • Automatic switch off when door is open • Child protection (CDP) • Stainlesssteel drum

**Technical data**

• Noise level: **65 dB(A)**  
• Energy consumption kWh/year: **504 kWh**  
• Product dimensions (HxWxD): **85 x 60 x 60 cm**

• EAN code: **3838942914676**  
• Product code: **415087**

• Colour: Fire red

**Efficiency**

• Dryer load: **1-7 kg** • Drum volume: **117 l** • Drum illumination with LED light • Big door: 35 cm • Door opening angle: 180° • Reversible drum action

**Control**

• LED display

**15 Programmes**

• Programmes: Cotton / Synthetics / Delicates / Mix / Wool / XL programme

**Functions**

• Lower temperature of drying • Anticrease • Cooling (10 min)

**Features**

• Audio signal SoftSound • FiltrationSupreme • LED phase indicator • Signal for "full water

container" • Digital display of remaining functioning time • Vacuum feet • DelayStart • Comes complete with vacuum feet for stacking

**SensorIQ**

• Humidity sensor • Service diagnostic indicator

**Safety and durability**

• Protective thermostat • Automatic switch off when door is open • Child protection (CDP) • Stainlesssteel drum

**Technical data**

• Noise level: **65 dB(A)**  
• Energy consumption kWh/year: **504 kWh**  
• Product dimensions (HxWxD): **85 x 60 x 60 cm**

• EAN code: **3838942909412**  
• Product code: **412642**







# EFFICIENCY FOR SHINY DISHES

Optimum use of water and high energy efficiency are the features that distinguish our dishwashers. Convenient consumer friendly programs and functions upgrade the making it possible to wash up to 14 place settings at one time. Innovative stainless steel interior affords high flexibility in arranging the dishes.

- AAA efficiency
- Convenient dishwashing programs
- Ample space with cleverly adjustable baskets

# DISHWASHING EFFICIENCY



## Short turbo programme QuickIntensive

The selected programme allows you to halve the time required to do the dishes by optimising the stages of the dishwashing cycle. This way, the desired effect is also achieved at full load with your dishes done cleaned and with outstanding results.



## Automatic programme selection

The most sophisticated models feature an automatic programme that enables you to wash your dishes within two temperature ranges (party glassware or fine porcelain at a lower temperature, and other, less fragile dishes at a higher temperature). The sensors continually monitor the water in the dishwasher, identifying impurities and adjusting their operation accordingly, so as to deliver perfectly clean dishes whilst also ensuring the optimal consumption of water, energy and time.

## Self-cleaning filter

The automatic filter cleaning system washes out the food residues to prevent the filter from clogging. This prevents any problems or errors.



## AquaStop anti-flooding system

With the AquaStop safety feature, the dishwasher can be safely left to operate at night as well as in your absence. In case of leakage or flooding, AquaStop automatically cuts off the water supply while the pump siphons the residual water out of the dishwasher basin. AquaStop remains fully functional for the duration of the working life of the appliance.



## Stainless steel interior

Dishwasher interior is made of stainless steel which provides a long useful life and simple cleaning.



## 3 in 1





Simply by activating the "3 in 1" function, your dishwasher will automatically detect which type of detergent you are using. If you are using a tablet, the dishwasher will adjust the washing cycle and omit using the rinse aid, making this function highly convenient. If you are using powder or gel detergent, the rinse aid is released to allow optimum dishwashing results and perfect shine.



## Delay start

Some Gorenje dishwasher models also incorporate the Delay Start feature, which effectively enables you to set the time of the dishwashing up to 24 hours in advance. This function provides an opportunity for additional savings by allowing you to time your dishwashing so as to coincide with the low electricity rate.

## Symbol description

	Total AquaStop, total spill protection
	AquaStop, spill protection
	ECO programme
	Function 3 in 1
	SpaceDelux, a convenient third basket expands the dishwashing capacity to as many as 14 place settings!



**GS 62214 W**  
Freestanding dishwasher



### Control

- On/Off indicator
- Selected programme indicator

### Programmes

- Washing temperature: **40 °C**
- **7** programmes: Sensitive programme / Intensive / Eco programme / Quick programme / Soaking / Rinse and drying
- Reference programme: 4

### Functions

- **12** place settings
- Function 3 in 1
- Selected programme indicator
- Visual indicator for wash finish

### UseLogic technology

- Start delay 2/4/6/8

### Equipment

- Number of baskets: **2** • Variable top basket • Foldable bottom plate baskets • Number of water jet levels: **4** • Number of sprinkle hands: **2** • Selfcleaning filter

### Safety systems

- Total Aquastop • Service diagnostics • Stainless steel tub

### Technical data

- Height setting: **60 mm**
- Product dimensions (H×W×D): **85 × 60 × 58 cm**
- Water consumption: **12 l**
- Energy consumption - normal program: **1,02 kWh**
- Energy consumption kWh/year: **291 kWh**
- Typical annual consumption for a four-person-household-water l: **3360 l**
- Level of noise (max.): **52 dB(A)**

- EAN code: **3838942911118**
- Product code: **414077**



**GV 63214 UK**  
Integrated dishwasher

<b>A</b> Energy Class	<b>A</b> Washing Efficiency	<b>A</b> Drying Efficiency
60 cm	total	eco

- Control**
- On/Off indicator
  - Selected programme indicator

- Programmes**
- Washing temperature: **40 °C**
  - **6** programmes: Sensitive programme; Intensive ; Eco programme; Quick intensive programme; Quick programme; Rinse and drying
  - Reference programme: 3

- Functions**
- Standard place settings: 14
  - Function 3 in 1
  - Selected programme indicator
  - Visual indicator for wash finish
  - Time remaining indicator

- UseLogic technology**
- Variable start delay up to 24 hours

- Equipment**
- Number of baskets: 3 • Variable top basket • Upper basket system: Click Clack system • Foldable bottom plate baskets • Number of water jet levels: 5 • Number of sprinkle hands: 3 • Selfcleaning filter

- Safety systems**
- Total Aquastop • Service diagnostics • Stainless steel tub

- Technical data**
- Height setting: **60 mm**
  - Product dimensions (HxWxD): **81,8 × 59,8 × 57 cm**
  - Water consumption: **12 l**
  - Energy consumption - normal program: **1,04 kWh**
  - Energy consumption kWh/year: **299 kWh**
  - Typical annual consumption for a four-person-household-water l: **3500 l**
  - Level of noise (max.): **49 dB(A)**

- EAN code: **3838942937699**
- Product code: **431258**



**GV 62110**  
Integrated dishwasher

<b>A</b> Energy Class	<b>A</b> Washing Efficiency	<b>A</b> Drying Efficiency
60 cm	total	eco

- Control**
- On/Off indicator
  - Mechanic control

- Programmes**
- Washing temperature: **70 °C**
  - **5** programmes: Sensitive programme / Programme for glass / Intensive / Eco programme / Quick programme / Soaking / Rinse and drying
  - Reference programme: 1

- Functions**
- **12** place settings
  - Selected programme indicator

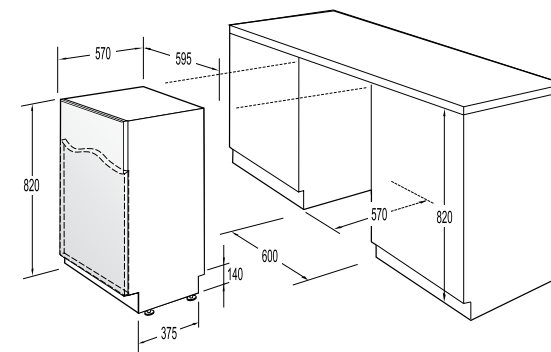
- UseLogic technology**
- Variable start delay up to 24 hours

- Equipment**
- Variable top basket • Foldable bottom plate baskets • Number of sprinkle hands: 2 • Selfcleaning filter

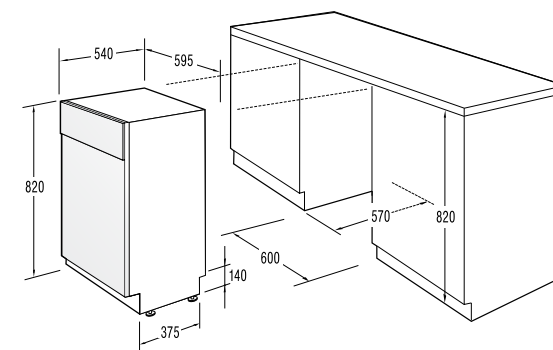
- Safety systems**
- Partial aquastop • Service diagnostics • Stainless steel tub

- Technical data**
- Height setting: **50 mm**
  - Product dimensions (HxWxD): **82 × 59,5 × 54 cm**
  - Water consumption: **16 l**
  - Energy consumption - normal program: **1,05 kWh**
  - Energy consumption kWh/year: **320 kWh**
  - Typical annual consumption for a four-person-household-water l: **4760 l**
  - Level of noise (max.): **55 dB(A)**

- EAN code: **3838942532832**
- Product code: **249748**



**GV 63214 UK**



**GV 62110**



**GV 51214**  
Integrated dishwasher



#### Control

- On/Off indicator
- Mechanic control

#### Programmes

- Washing temperature: **40 °C**
- **6** programmes: Sensitive programme / Intensive / Eco programme / Quick intensive programme / Quick programme / Rinse and drying
- Reference programme: 3

#### Functions

- **9** place settings
- Function 3 in 1
- Selected programme indicator
- Visual indicator for wash finish

#### UseLogic technology

- Variable start delay up to 3/6/9 hours

#### Equipment

- Number of baskets: **2** • Variable top basket • Foldable bottom plate baskets • Number of water jet levels: **4** • Number of sprinkle hands: **2** • Selfcleaning filter

#### Safety systems

- Total Aquastop • Service diagnostics • Stainless steel tub

#### Technical data

- Height setting: **60 mm**
- Product dimensions (H×W×D): **81,5 × 44,8 × 55 cm**
- Water consumption: **9 l**
- Energy consumption - normal program: **0,77 kWh**
- Energy consumption kWh/year: **220 kWh**
- Typical annual consumption for a four-person-household-water l: **2520 l**
- Level of noise (max.): **49 dB(A)**

- EAN code: **3838942800283**
- Product code: **414076**



**DFD 72 PAX**  
Dishwasher decor panel

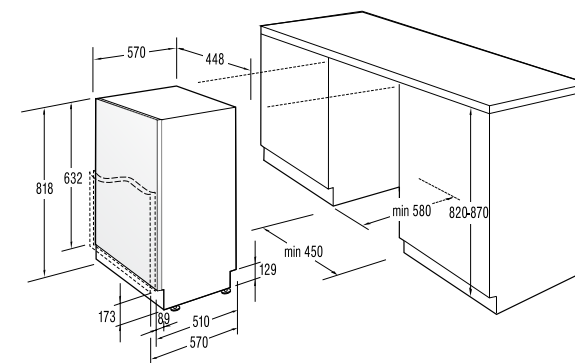


- Front material: Metal and glass
- Metal - plastic handle
- Handle colour: Brushed stainless steel

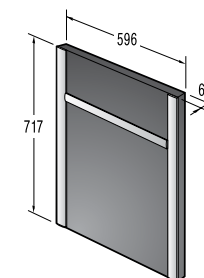
#### Technical data

- Product dimensions (H×W×D): **71,7 × 59,6 × 6 cm**

- EAN code: **3838942528170**
- Product code: **242148**



**GV 51214**



**DFD 72 PAX**



# LONG LASTING FRESHNESS

The Gorenje range of built-in and freestanding cooling products boast carefully thought out interior with the new "VitroLook" aesthetics which, in addition to excellent view and access to the contents, offers easily intelligible icons to discretely suggest the most appropriate storage area for each type of food.

- High energy efficiency: A+++
- Accurate SensoTech temperature control
- Functionally designed interior
- Innovative solutions for prolonged food freshness
- Varied choice of models tailored to the user

# ULTIMATE STORAGE

## ULTIMATE EFFICIENCY



### ► Ideal climate for storing food

Different foods demand different storage conditions. Combined Gorenje refrigerators provide 5 temperature areas to help prolong the freshness of your food and prevent the loss of valuable nutritive substances.

**8 °C:** bread, pastry, butter, jam, cooked meats, canned food and exotic fruit.

**5 °C:** dairy products, fruit juice, cooked food, desserts, cheese, pudding, eggs, yoghurts and some kinds of fruit (e.g. melons and watermelons).

**- 12 °C:** ideal for the storage of smaller packs, small frozen vegetables, ice-cream cones, ice cubes .

**- 18 °C:** optimal temperature in the freezer drawers for the storage of frozen items.



# PERFECT CLIMATE



## SensoTech electronic temperature regulation

Electronic control allows accurate settings of cooling and freezing temperature and constant control over them, independently of the environment temperature. Advanced models also feature separate temperature regulation for the refrigerator and freezer compartment, as well as a LED temperature display. In addition to the core functionality, these models offer the FastFreeze freezer boost function and the SuperCool refrigerator boost function which will prove convenient after major shopping trips. A dedicated signal light, combined with an acoustic signal, will warn you of any increases in temperature in the appliance. Most models also offer the Eco power savings program. This way, the food will receive optimum care while you save power.



## FastFreeze rapid food freezing

Maintaining the quality of frozen food depends largely on how fast the freezing process is. When the freezing process is faster, the crystals that are formed are smaller and do not damage the cells in the food, thus allowing it to retain the vitamins, minerals and nutrients longer. For a true freezing boost, choose models with the **FastFreeze** function that freezes the food at extremely low temperature, below  $-24^{\circ}\text{C}$ . If the function is not deactivated manually, the fast freezing process is ended automatically after a certain period of time and the freezer returns to the initially set temperature.



## Eco - economy program

During periods of less frequent use (door opening) or absence from home, such as vacation, Eco program can provide optimum temperature while saving power.



## SuperCool function for cooling larger amounts of food

When the **SuperCool fast cooling** function is activated, the refrigerator will provide a boost to the cooling process, dropping the temperature to just above the freezing point. Low temperature, combined with large volume, is ideal for rapid cooling of food after major shopping trips. After six hours, the function is switched off automatically and the refrigerator compartment temperature returns to the initial setting.



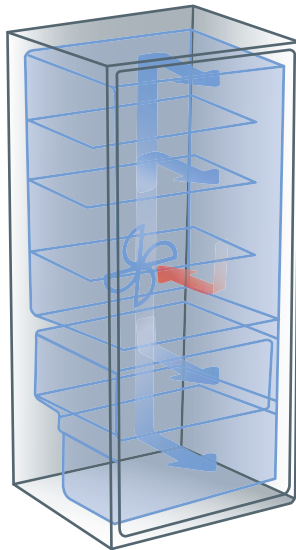
## Constant temperature in the refrigerator

Due to the refrigerator ventilator, which is built in the back wall of the refrigerator, the cold air inside the refrigerator is constantly circulating. This provides quick and even cooling of the entire refrigerator and at the same time reduces the accumulation of condensation on the back wall and under the shelves. This creates ideal storage conditions for all kinds of foods, which stay fresh longer.



**MultiFlow technology**

MultiFlow accelerated air circulation technology provides a constant temperature in all models with a ZeroZone drawer. Cool air is blown through the vents in the refrigerator back wall directly into the drawer. Compared to conventional systems, MultiFlow delivers the most efficient cooling of food, keeping the freshness, aroma, and nutrients of fruit, vegetables, and meat much longer.



**FreshZone compartment for perishable food**

The next generation of fridges features a FreshZone compartment designed to preserve and lock in the freshness of highly perishable foods. A fan blows cold air directly into the compartment so that the temperature inside is the lowest possible within the fridge. As a result, fruit, vegetables and meat remain fresher much longer.



**Fast bottle chill**

When selecting the **fast bottle chill** option, the MultiFlow system blows chilled air through vents in the back wall, cooling your drinks much faster. The bottles are placed in a special, removable holder made of non-corrosive metal. When removed, the bottle holder can double up as a wine bottle tray for the wine which should be stored at room temperature.



**MoistControl - humidity control in the vegetable drawer**

Gorenje refrigerators offer the possibility of controlling the humidity in the vegetable drawer. A simple slider is used to control the humidity in the drawer to make sure your vegetables stay fresh and crisp. The drawer is mounted on telescopic guides which allows full stability when it is pulled out and affords excellent view of the contents.

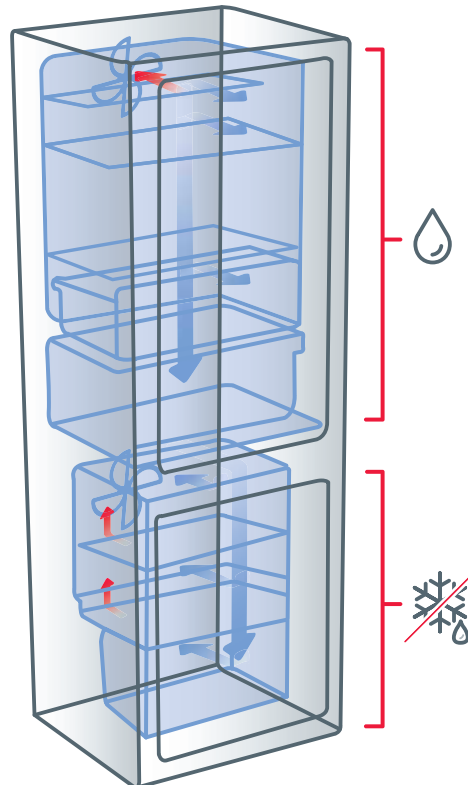
# COMFORTABLE STORAGE



## Frost free DualAdvance - no more laborious defrosting

Modern Frost Free DualAdvance technology evacuates the humidity from the freezer by employing intensive circulation of cool air, to prevent accumulation of frost on the food and interior walls. Tedious defrosting and cleaning of the freezer is a thing of the past.

- Frozen food will not stick together;
- Space usage and clarity of view over the food in the freezer are improved;
- Quality, colour, and aroma of frozen food is maintained.



In addition to upright freezers, Gorenje also offers this technology in combined refrigerator freezers where it is employed to maintain optimum storage conditions for fresh food in the refrigerator compartment as well.

- Fully separated cooling and freezing process;
- No exchange of odour between the freezer and refrigerator compartment ;
- Optimum humidity in the refrigerator compartment;
- Fresh food will not dry out, which prolongs their quality.



▽  
Frozen in regular freezer



▽  
Frozen in freezer with NoFrost technology



▽  
**Sliding shelves**

Innovative sliding shelves are a novelty in the cooling appliance market, allowing you ready access to the stored items and providing a better view of the contents. The shelves feature seamless lipped edges, which retain spills and prevent them from contaminating the shelves and items below.



▽  
**Changeable shelf**

A split top shelf in selected models allows you to further optimise the available space in your fridge. The shelf can be used as an ordinary shelf or it can be divided into two smaller shelves, which can then be placed one under another. This way, you can create a space for storing taller containers or bottles



▷ **Deep door bottle shelf**

This highly practical shelf enables a systematic storage of items that are taken out of the fridge with the highest frequency: upright cartons and 2 litre bottles can be stored in the deep holder at the back while smaller items and jars can be placed in the shallow holder in the front. The shelf is positioned in the most accessible, easy-to-see spot, which also makes it within easy reach of children.

**Symbol description**

	Frost Free
	Frost Free DualAdvance
	SensoTech electronic temperature regulation
	SuperCool function for rapid cooling of a major quantity of food
	AirVent - constant temperature in the refrigerator
	EcoSave
	MoistControl - humidity control in the vegetable drawer
	FreshZone drawer
	FastFreeze - rapid food freezing



5  
YEAR  
GUARANTEE

**NRK 6181 CB**  
Freestanding fridge freezer



5  
YEAR  
GUARANTEE

**NRK 6181 CW**  
Freestanding fridge freezer



5  
YEAR  
GUARANTEE

**NRK 6181 CX**  
Freestanding fridge freezer



- Colour: Black
- Reversible door opening

#### Efficiency

- 1 compressor
- Total gross/net volume: **328 / 305 l**
- Capacity of cooling compartment: gross/net: **231 / 230 l**
- Capacity of freezer compartment: gross/net: **97 / 75 l**
- Freezing capacity in 24 hours: **4 kg/24h**
- Power cut safe time: **18 h**

#### Control

- Electronic control SensoTech
- Temperature of the coolant too high: red signal

#### Features

- Frost free: In the whole freezer compartment
- Programme Eco

#### Equipment of refrigerator

- Interior light in refrigerator
- Type of interior light: Standard
- Number of shelves: 4
- Number of removable shelves: 3
- Bottle holder
- 2 vegetable drawers
- Egg bin: 1x8
- Number of door shelves: 3

#### Equipment of freezer

- Storage compartment(s) with door for frozen food: 1
- 1 ice tray

#### Technical data

- Energy consumption kWh/24h: **0,799 kWh**
- Energy consumption kWh/year: **292 kWh**
- Level of noise (max.): **41 dB(A)**
- Product dimensions (HxWxD): **180 x 60 x 64 cm**

- EAN code: **3838942898358**
- Product code: **444812**



- Colour: White
- Reversible door opening

#### Efficiency

- 1 compressor
- Total gross/net volume: **328 / 305 l**
- Capacity of cooling compartment: gross/net: **231 / 230 l**
- Capacity of freezer compartment: gross/net: **97 / 75 l**
- Freezing capacity in 24 hours: **4 kg/24h**
- Power cut safe time: **18 h**

#### Control

- Electronic control SensoTech
- Temperature of the coolant too high: red signal

#### Features

- Frost free: In the whole freezer compartment
- Programme Eco

#### Equipment of refrigerator

- Interior light in refrigerator
- Type of interior light: Standard
- Number of shelves: 4
- Number of removable shelves: 3
- Bottle holder
- 2 vegetable drawers
- Egg bin: 1x8
- Number of door shelves: 3

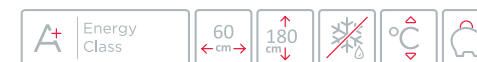
#### Equipment of freezer

- Storage compartment(s) with door for frozen food: 1
- 1 ice tray

#### Technical data

- Energy consumption kWh/24h: **0,799 kWh**
- Energy consumption kWh/year: **292 kWh**
- Level of noise (max.): **41 dB(A)**
- Product dimensions (HxWxD): **180 x 60 x 64 cm**

- EAN code: **3838942898662**
- Product code: **444781**



- Colour: Stainless steel
- Reversible door opening

#### Efficiency

- 1 compressor
- Total gross/net volume: **328 / 305 l**
- Capacity of cooling compartment: gross/net: **231 / 230 l**
- Capacity of freezer compartment: gross/net: **97 / 75 l**
- Freezing capacity in 24 hours: **4 kg/24h**
- Power cut safe time: **18 h**

#### Control

- Electronic control SensoTech
- Temperature of the coolant too high: red signal

#### Features

- Frost free: In the whole freezer compartment
- Programme Eco

#### Equipment of refrigerator

- Interior light in refrigerator
- Type of interior light: Standard
- Number of shelves: 4
- Number of removable shelves: 3
- Bottle holder
- 2 vegetable drawers
- Egg bin: 1x8
- Number of door shelves: 3

#### Equipment of freezer

- Storage compartment(s) with door for frozen food: 1
- 1 ice tray

#### Technical data

- Energy consumption kWh/24h: **0,799 kWh**
- Energy consumption kWh/year: **292 kWh**
- Level of noise (max.): **41 dB(A)**
- Product dimensions (HxWxD): **180 x 60 x 64 cm**

- EAN code: **3838942898341**
- Product code: **444813**



**RK 61811 RD**  
Freestanding fridge freezer



**RK 61810 W**  
Freestanding fridge freezer



**R 6181 AX**  
Freestanding refrigerator



- Colour: Fire red
- Reversible door opening

**Efficiency**

- 1 compressor
- Total gross/net volume: **342 / 322 l**
- Capacity of cooling compartment: gross/net: **231 / 230 l**
- Capacity of freezer compartment: gross/net: **111 / 92 l**
- Freezing capacity in 24 hours: **4 kg/24h**
- Power cut safe time: **21 h**

**Control**

- Mechanic control

**Equipment of refrigerator**

- Interior light in refrigerator
- Type of interior light: Standard
- Number of shelves: 4
- Number of removable shelves: 2
- Bottle holder
- 2 vegetable drawers
- Egg bin: 1x8
- Number of door shelves: 3
- FreshZone drawer

**Equipment of freezer** \* \*\* \*\*

- Storage compartment(s) with door for frozen food: 1
- 1 shelf in freezer door
- 1 ice tray

**Technical data**

- Energy consumption kWh/24h: **0.8 kWh**
- Energy consumption kWh/year: **292 kWh**
- Level of noise (max.): **40 dB(A)**
- Product dimensions (HxWxD): **180 x 60 x 64 cm**

- EAN code: **3838942928901**
- Product code: **412609**



- Colour: White
- Reversible door opening

**Efficiency**

- 1 compressor
- Total gross/net volume: **342 / 322 l**
- Capacity of cooling compartment: gross/net: **231 / 230 l**
- Capacity of freezer compartment: gross/net: **111 / 92 l**
- Freezing capacity in 24 hours: **4 kg/24h**
- Power cut safe time: **21 h**

**Control**

- Mechanic control

**Equipment of refrigerator**

- Interior light in refrigerator
- Type of interior light: Standard
- Number of shelves: 4
- Number of removable shelves: 3
- 2 vegetable drawers
- Egg bin: 1x8
- Number of door shelves: 3

**Equipment of freezer** \* \*\* \*\*

- Storage compartment(s) with door for frozen food: 1
- 1 shelf in freezer door
- 1 ice tray

**Technical data**

- Energy consumption kWh/24h: **0.8 kWh**
- Energy consumption kWh/year: **292 kWh**
- Level of noise (max.): **40 dB(A)**
- Product dimensions (HxWxD): **180 x 60 x 64 cm**

- EAN code: **3838942896712**
- Product code: **444977**



- Colour: Stainless steel
- Reversible door opening

**Efficiency**

- 1 compressor
- Total gross/net volume: **390 / 388 l**
- Capacity of cooling compartment: gross/net: **390 / 388 l**

**Control**

- Mechanic control

**Equipment of refrigerator**

- Interior light in refrigerator
- Type of interior light: Standard
- Number of shelves: 6
- Number of removable shelves: 5
- Bottle holder
- 1 vegetable drawer
- Egg bin: 1x8
- Number of door shelves: 5

**Technical data**

- Energy consumption kWh/24h: **0.425 kWh**
- Energy consumption kWh/year: **155 kWh**
- Level of noise (max.): **38 dB(A)**
- Product dimensions (HxWxD): **180 x 60 x 64 cm**

- EAN code: **3838942898648**
- Product code: **444783**



5  
YEAR  
GUARANTEE

**R 6181 AW**  
Freestanding refrigerator



2  
YEAR  
GUARANTEE

**R 6151 BW**  
Freestanding refrigerator



2  
YEAR  
GUARANTEE

**R 6091 AW**  
Freestanding refrigerator



- Colour: White
- Reversible door opening

#### Efficiency

- 1 compressor
- Total gross/net volume:  
**390 / 388 l**
- Capacity of cooling compartment: gross/net:  
**390 / 388 l**

#### Control

- Mechanic control

#### Equipment of refrigerator

- Interior light in refrigerator
- Type of interior light: Standard
- Number of shelves: 6
- Number of removable shelves: 5
- Bottle holder
- 1 vegetable drawer
- Egg bin: 1x8
- Number of door shelves: 5

#### Technical data

- Energy consumption kWh/24h:  
**0,425 kWh**
- Energy consumption kWh/year:  
**155 kWh**
- Level of noise (max.): **38 dB(A)**
- Product dimensions (HxWxD):  
**180 x 60 x 64 cm**

- EAN code: **3838942898655**
- Product code: **444782**



- Colour: White
- Reversible door opening

#### Efficiency

- 1 compressor
- Total gross/net volume:  
**305 / 302 l**
- Capacity of cooling compartment: gross/net:  
**305 / 302 l**

#### Control

- Mechanic control

#### Features

- Fan-assisted cooling in fridge
- SuperCool

#### Equipment of refrigerator

- Interior light in refrigerator
- Type of interior light: Standard
- Number of shelves: 5
- Number of removable shelves: 4
- Bottle holder
- 1 vegetable drawer
- Egg bin: 1x8
- Number of door shelves: 4

#### Technical data

- Energy consumption kWh/24h:  
**0,397 kWh**
- Energy consumption kWh/year:  
**145 kWh**
- Level of noise (max.): **42 dB(A)**
- Product dimensions (HxWxD):  
**145 x 60 x 64 cm**

- EAN code: **3838942898686**
- Product code: **444779**



- Colour: White
- Reversible door opening

#### Efficiency

- 1 compressor
- Total gross/net volume:  
**157 / 156 l**
- Capacity of cooling compartment: gross/net:  
**157 / 156 l**

#### Control

- Mechanic control

#### Equipment of refrigerator

- Interior light in refrigerator
- Type of interior light: Standard
- Number of shelves: 4
- Number of removable shelves: 3
- 1 vegetable drawer
- Egg bin: 1x6
- Number of door shelves: 2
- Dairy shelf

#### Technical data

- Energy consumption kWh/24h:  
**0,342 kWh**
- Energy consumption kWh/year:  
**125 kWh**
- Level of noise (max.): **39 dB(A)**
- Product dimensions (HxWxD):  
**85 x 60 x 60 cm**

- EAN code: **3838942896736**
- Product code: **444975**



2 YEAR  
GUARANTEE

**F 6181 AW**  
Upright freezer



5 YEAR  
GUARANTEE

**FN 6181 CW**  
Upright freezer



5 YEAR  
GUARANTEE

**FN 6181 CX**  
Upright freezer

**A+** Energy Class | 60 cm | 180 cm

\*\*\*

- Colour: White
- Reversible door opening

**Efficiency**

- 1 compressor
- Total gross/net volume: **309 / 261 l**
- Freezing capacity in 24 hours: **25 kg**
- Power cut safe time: **28 h**

**Control**

- Mechanic control
- Manual controlled defrost freezer

**Accessories**

- Storage compartment(s) with door for frozen food: 2
- Number of cool boxes: 2
- 6 storage drawers for frozen food
- 1 ice tray

**Technical data**

- Energy consumption kWh/24h: **0,815 kWh**
- Energy consumption kWh/year: **297 kWh**
- Level of noise (max.): **42 dB(A)**
- Product dimensions (HxWxD): **180 x 60 x 64 cm**

- EAN code: **3838942896101**
- Product code: **445039**

**A+** Energy Class | 60 cm | 180 cm | °C | Frost Free | Piggy Bank | Snowflake

\*\*\*

- Colour: White
- Reversible door opening

**Efficiency**

- 1 compressor
- Total gross/net volume: **231 / 217 l**
- Freezing capacity in 24 hours: **18 kg**
- Power cut safe time: **15 h**

**Control**

- Electronic control SensoTech
- Frost Free in the whole freezer department
- Programme Eco

**Accessories**

- Storage compartment(s) with door for frozen food: 1
- Drawer(s) for fast freezing: 1
- 6 storage drawers for frozen food
- 1 ice tray

**Technical data**

- Energy consumption kWh/24h: **0,814 kWh**
- Energy consumption kWh/year: **297 kWh**
- Level of noise (max.): **42 dB(A)**
- Product dimensions (HxWxD): **180 x 60 x 64 cm**

- EAN code: **3838942898327**
- Product code: **444815**

**A+** Energy Class | 60 cm | 180 cm | °C | Frost Free | Piggy Bank | Snowflake

\*\*\*

- Colour: Stainless steel
- Reversible door opening

**Efficiency**

- 1 compressor
- Total gross/net volume: **231 / 217 l**
- Freezing capacity in 24 hours: **18 kg**
- Power cut safe time: **15 h**

**Control**

- Electronic control SensoTech
- Frost Free in the whole freezer department

**Accessories**

- Storage compartment(s) with door for frozen food: 1
- 6 storage drawers for frozen food
- Drawer(s) for fast freezing: 1
- Number of doors: 1

**Technical data**

- Energy consumption kWh/24h: **0,814 kWh**
- Energy consumption kWh/year: **297 kWh**
- Level of noise (max.): **42 dB(A)**
- Product dimensions (HxWxD): **180 x 60 x 64 cm**

- EAN code: **3838942898334**
- Product code: **444814**





2 YEAR  
GUARANTEE

**F 6151 AW**  
Upright freezer



2 YEAR  
GUARANTEE

**F 6091 AW**  
Upright freezer



\*\*\*

- Colour: White
- Reversible door opening

#### Efficiency

- 1 compressor
- Total gross/net volume:  
**230 / 206 l**
- Freezing capacity in 24 hours:  
**18 kg**
- Power cut safe time: **21 h**

#### Control

- Mechanic control
- Manual controlled defrost freezer

#### Accessories

- Storage compartment(s) with door for frozen food: 1
- 5 storage drawers for frozen food
- 1 ice tray

#### Technical data

- Energy consumption kWh/24h:  
**0,723 kWh**
- Energy consumption kWh/year:  
**264 kWh**
- Level of noise (max.): **40 dB(A)**
- Product dimensions (H×W×D):  
**145 × 60 × 64 cm**

- EAN code: **3838942898679**
- Product code: **444780**



\*\*\*

- Colour: White
- Reversible door opening

#### Efficiency

- 1 compressor
- Total gross/net volume: **99 / 83 l**
- FastFreeze
- Freezing capacity in 24 hours:  
**8 kg**
- Power cut safe time: **17 h**

#### Control

- Mechanic control
- Manual controlled defrost freezer

#### Accessories

- Storage compartment(s) with door for frozen food: 2
- 1 storage drawers for frozen food

#### Technical data

- Energy consumption kWh/24h:  
**0,517 kWh**
- Energy consumption kWh/year:  
**189 kWh**
- Level of noise (max.): **39 dB(A)**
- Product dimensions (H×W×D):  
**85 × 60 × 60 cm**

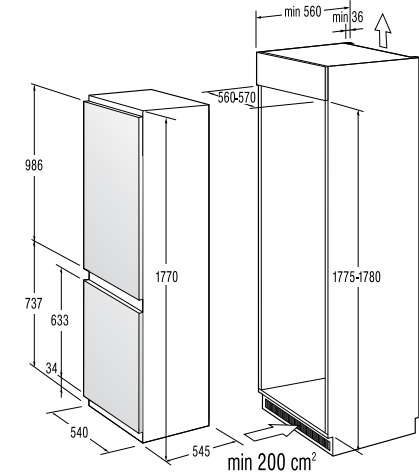
- EAN code: **3838942896729**
- Product code: **444976**



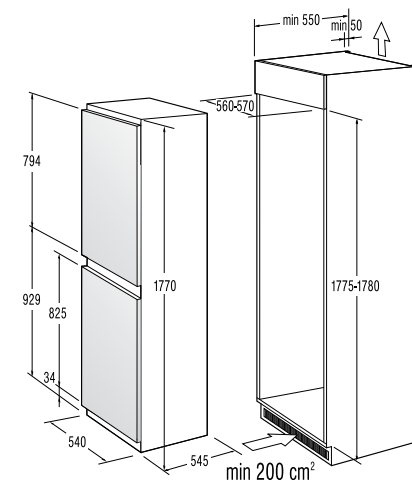
**NRKI 4181 CW**  
Built-in integrated fridge freezer



**NRCI 4181 CW**  
Built-in integrated fridge freezer



**NRKI 4181 CW**



**NRCI 4181 CW**

**A+** Energy Class | 54 cm | 177,5 cm | Frost-free | Piggy bank icon

- Colour: White
- Reversible door opening
- Sliding door hinge

**Efficiency**

- 1 compressor
- Total gross/net volume: **278 / 262 l**
- Capacity of cooling compartment: gross/net: **203 / 202 l**
- Capacity of freezer compartment: gross/net: **75 / 60 l**
- Freezing capacity in 24 hours: **3 kg/24h**
- Power cut safe time: **13 h**

**Control**

- Electronic control SensoTech

**Features**

- Frost free: In the whole freezer compartment
- Programme Eco

**Equipment of refrigerator**

- Interior light in refrigerator • Type of interior light: LED • Number of shelves: 7 • Number of removable shelves: 4 • Divisible glass shelf(s): 2 • Bottle holder • 2 vegetable drawers • Egg bin: 1x12 • Number of door shelves: 3 • Dairy shelf

**Equipment of freezer** \*\*\*

- Storage compartment(s) with door for frozen food: 1 • 1 ice tray

**Technical data**

- Energy consumption kWh/24h: **0,804 kWh**
- Energy consumption kWh/year: **293 kWh**
- Level of noise (max.): **42 dB(A)**
- Product dimensions (HxWxD): **177,5 x 54 x 54,5 cm**
- Niche dimensions (HxWxD): **177,5-178 x 56-57 x 56 cm**

- EAN code: **3838942922503**
- Product code: **418695**

**A+** Energy Class | 54 cm | 177,5 cm | Frost-free | Piggy bank icon

- Colour: White
- Reversible door opening
- Sliding door hinge

**Efficiency**

- 1 compressor
- Total gross/net volume: **267 / 250 l**
- Capacity of cooling compartment: gross/net: **163 / 162 l**
- Capacity of freezer compartment: gross/net: **104 / 88 l**
- Freezing capacity in 24 hours: **4 kg/24h**
- Power cut safe time: **12 h**

**Control**

- Electronic control SensoTech

**Features**

- Frost free: In the whole freezer compartment
- Programme Eco

**Equipment of refrigerator**

- Interior light in refrigerator • Type of interior light: Standard • Number of shelves: 4 • Number of removable shelves: 2 • Divisible glass shelf(s): 1 • Bottle holder • 2 vegetable drawers • Egg bin: 1x12 • Number of door shelves: 2 • Dairy shelf

**Equipment of freezer** \*\*\*

- Storage compartment(s) with door for frozen food: 1 • 1 ice tray

**Technical data**

- Energy consumption kWh/24h: **0,844 kWh**
- Energy consumption kWh/year: **308 kWh**
- Level of noise (max.): **42 dB(A)**
- Product dimensions (HxWxD): **177,5 x 54 x 54,5 cm**
- Niche dimensions (HxWxD): **177,5-178 x 56-57 x 56 cm**

- EAN code: **3838942818028**
- Product code: **393916**



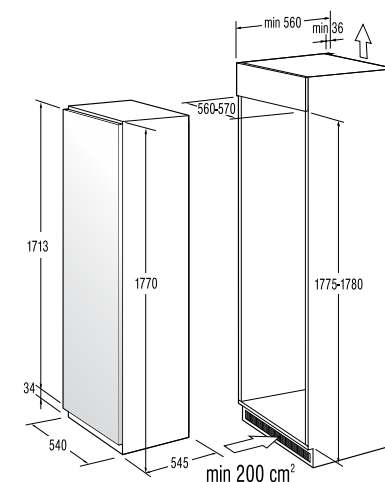
5  
YEAR  
GUARANTEE

**RI 4181 AW**  
Built-in integrated refrigerator



5  
YEAR  
GUARANTEE

**RCI 4181 AWW**  
Built-in integrated fridge freezer



**RI 4181 AW**



- Colour: White
  - Reversible door opening
  - Sliding door hinge
- Efficiency**
- 1 compressor
  - Total gross/net volume: **327 / 326 l**
  - Capacity of cooling compartment: gross/net: **327 / 326 l**

- Control**
- Mechanic control

- Equipment of refrigerator**
- Interior light in refrigerator
  - Type of interior light: Standard
  - Number of shelves: 7
  - Number of removable shelves: 6
  - Divisible glass shelf(s): 2
  - Bottle holder
  - 2 vegetable drawers
  - Number of door shelves: 6

- Technical data**
- Energy consumption kWh/24h: **0,415 kWh**
  - Energy consumption kWh/year: **151 kWh**
  - Level of noise (max.): **40 dB(A)**
  - Product dimensions (HxWxD): **177,5 x 54 x 54,5 cm**
  - Niche dimensions (HxWxD): **177,5-178 x 56-57 x 56 cm**
  - EAN code: **3838942816963**
  - Product code: **392706**



- Colour: White
  - Reversible door opening
  - Sliding door hinge
- Efficiency**
- 1 compressor
  - Total gross/net volume: **258 / 242 l**
  - Capacity of cooling compartment: gross/net: **177 / 173 l**
  - Capacity of freezer compartment: gross/net: **81 / 69 l**
  - Freezing capacity in 24 hours: **9 kg/24h**
  - Power cut safe time: **14 h**

- Control**
- Mechanic control

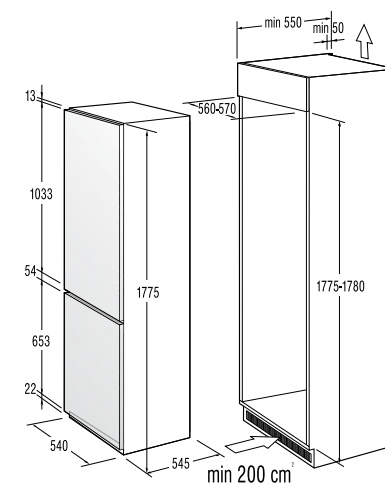
- Features**
- Fan-assisted cooling in fridge
  - SuperCool
  - FastFreeze

- Equipment of refrigerator**
- Interior light in refrigerator
  - Type of interior light: Standard
  - Number of shelves: 4
  - Number of removable shelves: 3
  - Bottle holder
  - 2 vegetable drawers
  - Egg bin: 2x6
  - Number of door shelves: 4
  - 2 dairy shelves

- Equipment of freezer** \* \*\* \*
- Drawer(s) for fast freezing: 1
  - Storage drawers: 2

- Technical data**
- Energy consumption kWh/24h: **0,76 kWh**
  - Energy consumption kWh/year: **277 kWh**
  - Level of noise (max.): **40 dB(A)**
  - Product dimensions (HxWxD): **177,5 x 54 x 54,5 cm**
  - Niche dimensions (HxWxD): **177,5-178 x 56-57 x 55 cm**

- EAN code: **3838942815980**
- Product code: **392704**



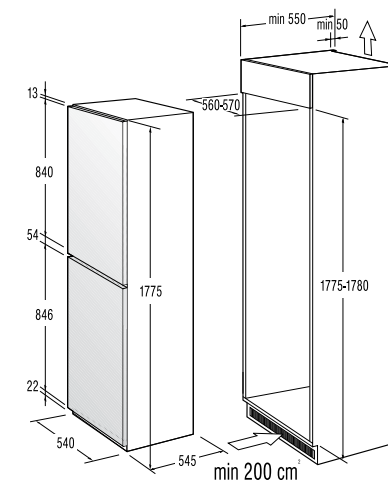
**RCI 4181 AWW**



**RKI 4181 AWW**  
Built-in integrated fridge freezer



**RI 4121 AW**  
Built-in integrated refrigerator



**RKI 4181 AWW**



- Colour: White
  - Reversible door opening
  - Sliding door hinge
- Efficiency**
- 1 compressor
  - Total gross/net volume: **254 / 238 l**
  - Capacity of cooling compartment: gross/net: **142 / 140 l**
  - Capacity of freezer compartment: gross/net: **112 / 98 l**
  - Freezing capacity in 24 hours: **4,5 kg/24h**
  - Power cut safe time: **15 h**

- Control**
- Mechanic control

- Features**
- Fan-assisted cooling in fridge
  - SuperCool
  - FastFreeze

- Equipment of refrigerator**
- Interior light in refrigerator
  - Type of interior light: Standard
  - Number of shelves: 3
  - Number of removable shelves: 2
  - Bottle holder
  - 2 vegetable drawers
  - Egg bin: 1x6
  - Number of door shelves: 4
  - 2 dairy shelves

- Equipment of freezer** \*\*\*
- Drawer(s) for fast freezing: 1

- Technical data**
- Energy consumption kWh/24h: **0,798 kWh**
  - Energy consumption kWh/year: **291 kWh**
  - Level of noise (max.): **40 dB(A)**
  - Product dimensions (HxWxD): **176,6 x 54 x 54,5 cm**
  - Niche dimensions (HxWxD): **177,5-178 x 56-57 x 55 cm**

- EAN code: **3838942815973**
- Product code: **392701**



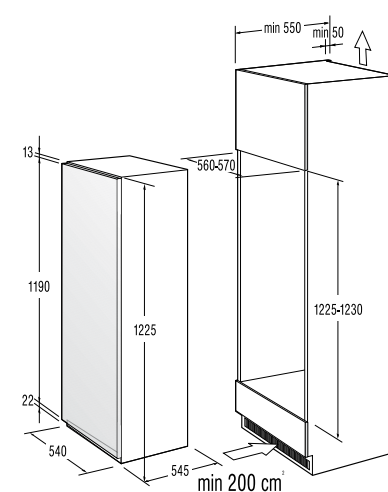
- Colour: White
  - Reversible door opening
  - Sliding door hinge
- Efficiency**
- 1 compressor
  - Total gross/net volume: **214 / 213 l**
  - Capacity of cooling compartment: gross/net: **214 / 213 l**

- Control**
- Mechanic control

- Equipment of refrigerator**
- Interior light in refrigerator
  - Type of interior light: Standard
  - Number of shelves: 5
  - Number of removable shelves: 4
  - 1 vegetable drawer
  - Egg bin: 2x6
  - Number of door shelves: 4
  - Dairy shelf

- Technical data**
- Energy consumption kWh/24h: **0,373 kWh**
  - Energy consumption kWh/year: **136 kWh**
  - Level of noise (max.): **41 dB(A)**
  - Product dimensions (HxWxD): **122,5 x 54 x 54,5 cm**
  - Niche dimensions (HxWxD): **122,5-123 x 56-57 x 55 cm**

- EAN code: **3838942819421**
- Product code: **393918**



**RI 4121 AW**

5  
YEAR  
GUARANTEE

**RI 4091 AW**  
Built-in integrated refrigerator



- Colour: White
- Reversible door opening
- Sliding door hinge

#### Efficiency

- 1 compressor
- Total gross/net volume: **146 / 145 l**
- Capacity of cooling compartment: gross/net: **146 / 145 l**

#### Control

- Mechanic control

#### Equipment of refrigerator

- Interior light in refrigerator
- Type of interior light: Standard
- Number of shelves: 4
- Number of removable shelves: 3
- 1 vegetable drawer
- Egg bin: 2x6
- Number of door shelves: 3
- Dairy shelf

#### Technical data

- Energy consumption kWh/24h: **0,348 kWh**
- Energy consumption kWh/year: **127 kWh**
- Level of noise (max.): **38 dB(A)**
- Product dimensions (HxWxD): **87,5 × 54 × 54,5 cm**
- Niche dimensions (HxWxD): **87,5-88 × 56-57 × 55 cm**

- EAN code: **3838942819438**
- Product code: **393922**

5  
YEAR  
GUARANTEE

**RBI 4121 AW**  
Built-in integrated refrigerator



- Colour: White
- Reversible door opening
- Sliding door hinge

#### Efficiency

- 1 compressor
- Total gross/net volume: **205 / 202 l**
- Capacity of cooling compartment: gross/net: **188 / 185 l**
- Capacity of freezer compartment: gross/net: **17 / 17 l**
- Freezing capacity in 24 hours: **2 kg/24h**
- Power cut safe time: **12 h**

#### Control

- Mechanic control

#### Features

- FastFreeze

#### Equipment of refrigerator

- Interior light in refrigerator
- Type of interior light: Standard
- Number of shelves: 4
- Number of removable shelves: 3
- 1 vegetable drawer
- Egg bin: 2x6
- Number of door shelves: 4
- Dairy shelf

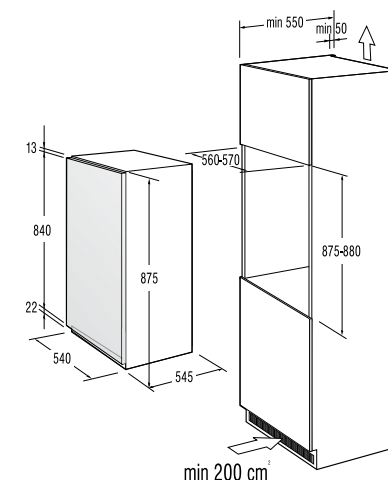
#### Equipment of freezer

- Storage compartment(s) with door for frozen food: 1
- 1 ice tray

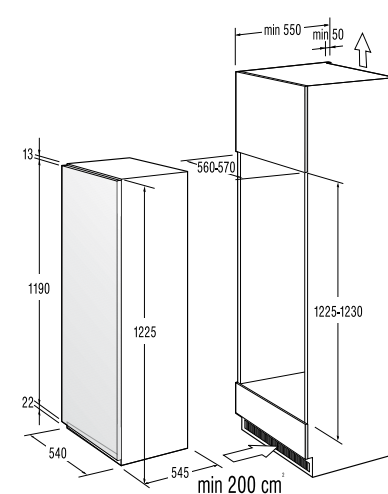
#### Technical data

- Energy consumption kWh/24h: **0,637 kWh**
- Energy consumption kWh/year: **233 kWh**
- Level of noise (max.): **41 dB(A)**
- Product dimensions (HxWxD): **122,5 × 54 × 54,5 cm**
- Niche dimensions (HxWxD): **122,5-123 × 56-57 × 55 cm**

- EAN code: **3838942819445**
- Product code: **393924**



**RI 4091 AW**



**RBI 4121 AW**



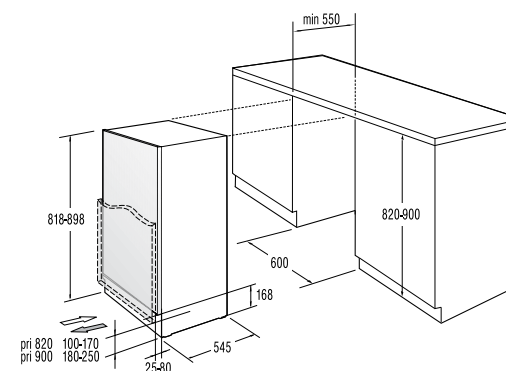
### RIU 6091 AW

Built-under integrated larder refrigerator



### RBIU 6091 AW

Built-under integrated refrigerator with small freezer



RIU 6091 AW

**A+** Energy Class | 59,6 kWh/24h | 82 cm height

- Colour: White
- Reversible door opening
- Door to door

#### Efficiency

- 1 compressor
- Total gross/net volume: **144 / 143 l**
- Capacity of cooling compartment: gross/net: **144 / 143 l**

#### Control

- Mechanic control

#### Equipment of refrigerator

- Interior light in refrigerator
- Type of interior light: LED
- Number of shelves: 4
- Number of removable shelves: 3
- 1 vegetable drawer
- Egg bin: 1x6
- Number of door shelves: 2
- Dairy shelf

#### Technical data

- Energy consumption kWh/24h: **0,338 kWh**
- Energy consumption kWh/year: **123 kWh**
- Level of noise (max.): **40 dB(A)**
- Product dimensions (HxWxD): **82 x 59,6 x 54,5 cm**
- Niche dimensions (HxWxD): **82-90 x 60 x 55 cm**
- EAN code: **3838942861116**
- Product code: **407390**

**A+** Energy Class | 59,6 kWh/24h | 82 cm height

- Colour: White
- Reversible door opening
- Door to door

#### Efficiency

- 1 compressor
- Total gross/net volume: **130 / 126 l**
- Capacity of cooling compartment: gross/net: **109 / 105 l**
- Capacity of freezer compartment: gross/net: **21 / 21 l**
- Freezing capacity in 24 hours: **2 kg/24h**
- Power cut safe time: **12 h**

#### Control

- Mechanic control

#### Equipment of refrigerator

- Interior light in refrigerator
- Type of interior light: LED
- Number of shelves: 3
- Number of removable shelves: 2
- 1 vegetable drawer
- Egg bin: 1x6
- Number of door shelves: 2
- Dairy shelf

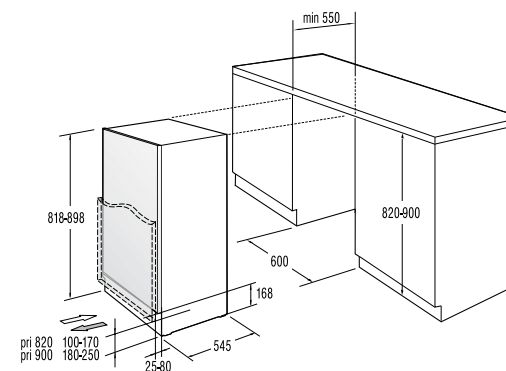
#### Equipment of freezer **\*\*\***

- Storage compartment(s) with door for frozen food: 1
- 1 ice tray

#### Technical data

- Energy consumption kWh/24h: **0,518 kWh**
- Energy consumption kWh/year: **189 kWh**
- Level of noise (max.): **42 dB(A)**
- Product dimensions (HxWxD): **82 x 59,6 x 54,5 cm**
- Niche dimensions (HxWxD): **82-90 x 60 x 55 cm**

- EAN code: **3838942861123**
- Product code: **407391**



RBIU 6091 AW



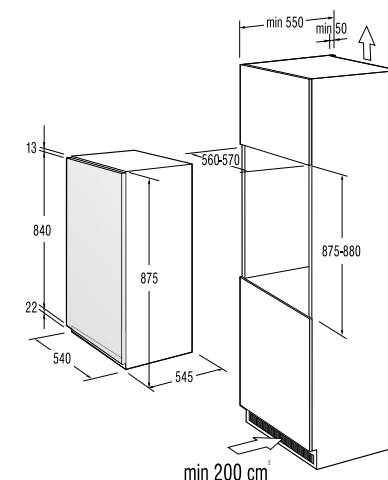
5  
YEAR  
GUARANTEE

**FI 4091 AW**  
Built-in integrated freezer



5  
YEAR  
GUARANTEE

**FIU 6091 AW**  
Built-under integrated freezer



**FI 4091 AW**



- Colour: White
- Reversible door opening
- Sliding door hinge

#### Efficiency

- 1 compressor
- Total gross/net volume: **103 / 86 l**
- FastFreeze
- Freezing capacity in 24 hours: **13 kg**
- Power cut safe time: **15 h**

#### Control

- Mechanic control
- Manual controled defrost freezer

#### Accessories

- Drawer(s) for fast freezing: 1
- Drawers for storage of frozen food: 3

#### Technical data

- Energy consumption kWh/24h: **0,537 kWh**
- Energy consumption kWh/year: **196 kWh**
- Level of noise (max.): **40 dB(A)**
- Product dimensions (HxWxD): **87,5 × 54 × 54,5 cm**
- Niche dimensions (HxWxD): **87,5-88 × 56-57 × 55 cm**

- EAN code: **3838942819452**
- Product code: **393926**



- Colour: White
- Reversible door opening
- Door to door

#### Efficiency

- 1 compressor
- Total gross/net volume: **96 / 86 l**
- FastFreeze
- Freezing capacity in 24 hours: **8 kg**
- Power cut safe time: **17 h**

#### Control

- Mechanic control
- Manual controled defrost freezer

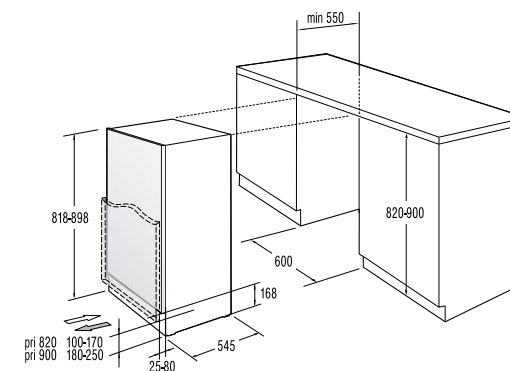
#### Accessories

- Storage compartment(s) with door for frozen food: 2
- 1 storage drawers for frozen food

#### Technical data

- Energy consumption kWh/24h: **0,51 kWh**
- Energy consumption kWh/year: **186 kWh**
- Level of noise (max.): **41 dB(A)**
- Product dimensions (HxWxD): **82 × 59,6 × 54,5 cm**
- Niche dimensions (HxWxD): **82-90 × 60 × 55 cm**

- EAN code: **3838942861130**
- Product code: **407392**



**FIU 6091 AW**





# CULINARY PLEASURE FOR EVERYONE

Owing to their innovative solutions, Gorenje built-in ovens and freestanding cookers rank at the very top of the European appliance market. Numerous combinations of hobs and efficient design of the HomeMADE oven provide excellent cooking results. Special consumer friendly features and ergonomic design additionally simplify the cooking and baking process.

- Huge range of models
- HomeMADE: efficient oven cavity shape modelled on the traditional wood-fired ovens
- Optimum combination of cooking systems and special functions for the best cooking results
- Market leading energy efficiency A<sup>-20%</sup>
- High quality materials with well researched ergonomics resulting in ease of use, maintenance and safety

# HomeCHEF

## HomeMADE oven. A unique innovation modelled on traditional wood-fired bread ovens!

With great insight, a vaulted oven design for superior baking results typically associated with traditional wood-fired bread ovens! An innovative design solution for the next generation of Gorenje built-in ovens involves a precise positioning of the heating elements for perfect baking. Smooth, rounded edges on the rear panel and vaulted interior ensure a more efficient circulation as well as an even distribution of hot air inside the oven. The result is evenly baked, succulent yet crispy dishes; soft bread with a perfect crust; many of your favourite foods cooked just right - the way that until now you could only dream of. Gorenje's original and insightful approach to oven design is homage to traditional experience and the result of a fruitful cooperation with renowned research institutions. A unique feature with a tint of ancient wisdom!



## HomeMADE



## DirecTOUCH, perfect results at your fingertips

This innovative patented electronic programme module has virtually revolutionised the touch-screen operation of the next generation of Gorenje hobs and built-in ovens. Three simple steps is all it takes - cooking has never been easier! After turning the oven on, make your selection by touching the symbol indicating the dish you want to cook, then press "Start". Numerous preset programmes automatically set the right combination of heating elements, temperature and cooking time. Large and clearly recognizable symbols make the oven

easy to use while still leaving you the freedom to set all cooking parameters (heating element, temperature, cooking time, meat probe) according to your preferences and cooking ability. Your favourite settings can be stored in the memory and simply recalled when you use the oven next. A child safety Lock is an additional advantage of the electronic module preventing unsupervised use of the oven and providing added protection from injury.



### ▷ Global innovation - step baking

Gorenje HomeChef oven is a revolutionary feature in home appliances. Unique control and efficient operation guarantee remarkable cooking results. One of the key features of the HomeChef oven is the pre-set **STEPbake** feature which allows cooking in several steps. The preparation process for many dishes requires a change of temperature during the progress, or use of different types of heating elements, or both. With the HomeChef oven, you can design such preset programs yourself. Choose the **PRObake** operating mode for a perfect gourmet experience.

In addition, there are three more operating modes:

**AUTObake** with as many as 65 preset recipes with photos, including some that already include cooking in several steps;

**MYbake** for all creative minds that come up with their own recipes; these can be easily modified or saved from scratch;

**SIMPLEbake** is the shortest way to one of the 9 most frequently prepared dishes.

The HomeChef oven is an excellent choice for beginners and seasoned chefs alike.

Bon Appétit

# HomeCHEF



reddot design award  
honourable mention 2011



# HomeCHEF

## SIMPLEbake

### The shortest way to your favourite dish

When the **SIMPLEbake** mode is displayed, nine photos of the most

commonly prepared dishes will appear on the interactive colour display. When the desired dish is selected, the preset program will already have known which heaters to use, which guide level the baking tray should be placed in, and how long to cook. The program automatically makes all the necessary adjustments with regard to the approximate amount (weight) of the food, which you enter, level of browning and doneness, and the time you wish your food to be ready. HomeCHEF will guide you logically through the scrolling, browsing, and confirming of your settings.



## PRObake

### Conventional cooking for seasoned chefs

The **PRObake** mode allows the chef all the freedom of creation while improving reliability and accuracy of all procedures. If you know from experience the temperature and duration of cooking for a particular dish, as well as which heaters and any additional functions are best suited, then PRObake is the right cooking mode for you.



## STEPbake

The original and patent-protected solution of multi-step cooking available within the PRObake mode, allows setting up to three consecutive changes in temperature and heater combination in respective time intervals. When the recipe for your desired dish recommends such changes during the cooking process, all required settings can be very simply made immediately, before the start of preparation. Cooking in such way takes place automatically, without the need for constant control, and provides excellent culinary results each time.



## AUTObake

### Wide choice of preset programs

**AUTObake** mode offers preset optimum settings for 65 dishes classified into logical categories. Select the food category, e.g. meat, vegetables, or pastry, and the desired dish within the category. The program inquires about the approximate amount, desired level of doneness, and the time of completion of cooking. Then, you are ready to launch the cooking process by pressing Start. The program will adjust the settings accordingly and make sure the food is ready and delicious at the time you chose.



## MYbake

### Creative combination based on your experience

The **MYbake** mode allows keeping and editing an electronic recipe book with up to 150 different dishes, by including preset recipes and saving your own combinations. Memory program offers 10 food categories such as meat, fish and other seafood, vegetables, bread, etc. Up to 15 recipes and procedures for their preparation can be stored in each category. You may also store your favourite dishes from the AUTObake program, or any dish for which you have defined the best procedures yourself with the STEPbake function within the PRObake mode. The saved settings are always only a simple touch away



## EXTRA

### Extra functions

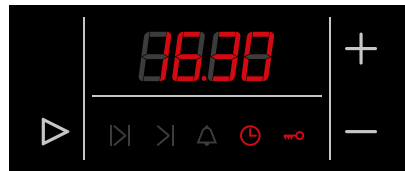
- **Fast Preheat** - rapid oven preheat
- **StayWarm** - keeping your food at just the right temperature after it is done
- **WarmPlate** - heating the plates before serving warm food
- **FoodDefrost** - defrosting frozen food
- **MeatProbe** - the option to use the meat probe
- **AquaClean** - cleaning your oven with water



# BAKING EFFICIENCY

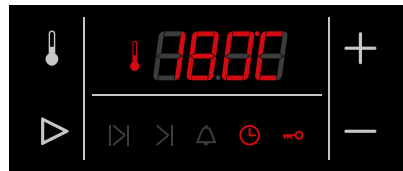
## Superior knob- and handle design

Ergonomic knob design not only ensures a firm grip and prevents your fingers from slipping, but also makes it easy for you to monitor the situation and stay on top of things at all times. More advanced models come with 'push-pull' knobs. When the oven is switched off, the controls simply retract into the control panel for additional safety and ease of cleaning, not to mention superior aesthetic appeal of the sheer, smooth surface. Metal handles on the oven doors feature a superior, ergonomic design for an extra firm grip.



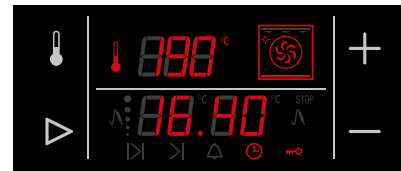
### EPT-controlled features:

- Electronic program timer
- Duration
- End of cooking time
- Minute minder
- Acoustic signal
- Child lock



### EPT+TD-controlled features:

- Electronic program timer
- Duration
- End of cooking time
- Minute minder
- Acoustic signal
- Child lock
- Temperature display
- Temperature selection



### EPT+TD plus-controlled features:

- Electronic program timer
- Duration
- End of cooking time
- Minute minder
- Acoustic signal
- Child lock
- Temperature display
- Temperature selection
- Indication of currently used heating system
- Meat probe

## ▷ Touch control electronic programming timer

Gorenje ovens feature innovative, sensor controlled electronic timers. Touch control enables you to set the cooking time and select the right temperature, which can be monitored on the control panel display during the entire cooking time. An alarm sounds at the end of cooking time. The surface of the innovative electronic timer is perfectly smooth, which makes it extremely easy to clean. The new electronic programming timers – Gorenje's latest innovation for a user friendly operation!

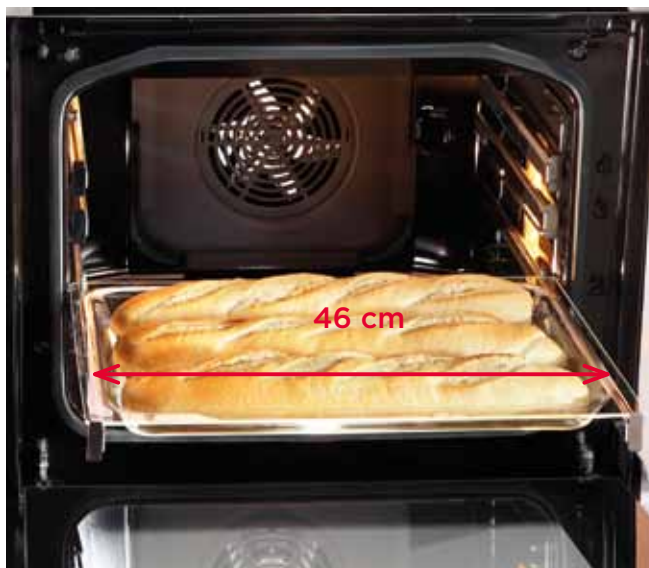


# BAKING EFFICIENCY



▽ **BigSpace,  
large oven capacity**

With their 65-litre useful capacity Gorenje ovens are among the biggest on the market and can easily accommodate even a 7 kg turkey. Despite its super-size capacity the oven boasts A<sup>-20%</sup> energy performance and is one of the most energy efficient ovens presently available on the market, due to its superior design. Ideal for making several dishes at once and for bigger family reunions and dinner parties held at home!



▽ **Super-size  
baking area**

The 46cm wide oven cavity offers a 15% larger baking surface, which is the result of a fresh approach to oven design. Making the most of the available oven width makes it possible to fit larger quantities of food on a single tray, both when it comes to single-rack as well as multi-rack cooking. A highly efficient design of the top heating element ensures a uniform distribution of heat across the entire tray surface which translates into perfect baking results.



▽ **OpenView,  
excellent visibility**

In selected models super-size oven capacity is further complemented by double lighting. Coupled with an all-glass oven door this feature ensures a significantly better overview of the interior, making it easy for you to supervise the cooking process from a safe distance.



▽ **PerfectGrill  
for a perfect crust**

The large upper and the smaller lower infrared heating elements are safely hidden in the depths of the recessed, vaulted oven ceiling while the difference in their relative heights ensures that food is cooked evenly and perfectly, every time. In selected models the upper heating element can be tilted down, which makes the oven easier to clean.



### Baking on several shelves set at different levels

By choosing a Gorenje oven you can bake your biscuits up to three different levels at the same time. Fan at the rear of the oven ensures an even and swift distribution of heat. This enables a more efficient circulation of hot air and delivers outstanding cooking and baking results while saving you valuable time and energy.



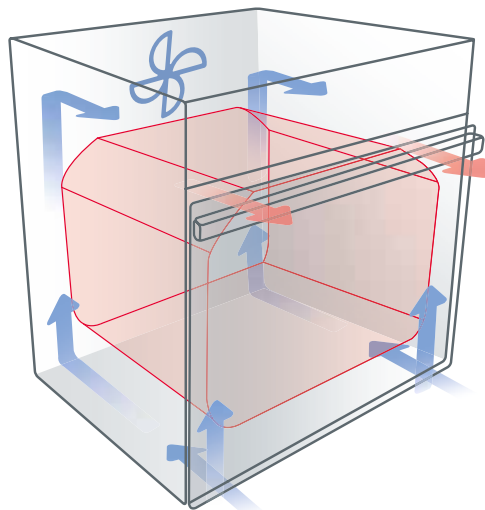
### Extra-deep, XXL baking tray

For gourmets who enjoy making home-made bread, lasagne, quiches or similar, we have designed a special, extra deep 5 cm baking tray. The tray features EcoClean enamel coating, which makes it easy to clean. In addition, the oven walls tend to get less dirty as the raised tray sides prevent the fat from escaping. Our large selection of baking trays also features traditional size enamelled and glass trays. The latter can also be used as serving trays.



### Temperature probe

Selected models of Gorenje ovens are fitted with a temperature probe – a special sensor allowing you to control how done your food is. Insert the probe into any larger chunk of food to be baked, roasted, or grilled, and set the desired temperature. The display on the oven control panel will indicate when the food is done exactly as you want it. Hence, your roast will be deliciously juicy, and the dough will be perfectly leavened and baked.



### Cool oven panels with DynamiCooling

A highly efficient cooling system designed to keep the temperature of oven panels down during the cooking process (DC) as well as afterwards (DC+) ensures significantly cooler outer surfaces of oven panels. A fan mixes cooler ambient air with the hot air in the oven, forcing the cooled mixture to circulate right under the exterior panels of the appliance. Once the oven has been switched off, a heat sensor keeps the fan going until the oven temperature has dropped below 60 °C (DC+). By keeping the temperature of the oven panels and door down, DynamiCooling significantly improves the safety of oven cooking.

#### ChildLock for safety

The ChildLock function prevents children from interfering with or resetting the selected parameters, thus also providing protection against accidental activation and operation of the hob.





#### Low temperature of the oven door

Gorenje ovens are fitted with safe and energy efficient CoolDoors (CD). More sophisticated models feature triple-glazed, heat reflective UltraCoolDoors (UCD). Superior door insulation in conjunction with special reflective glass layers improves oven performance together with significantly lower energy consumption. A low exterior door temperature keeps you safe from burns when touching the oven door.

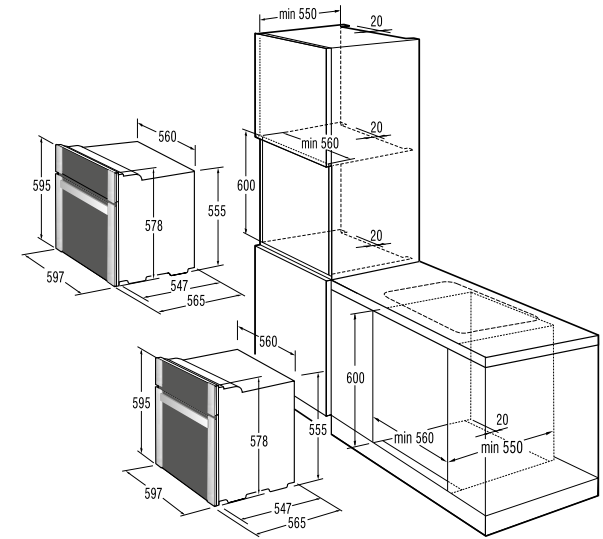
#### Safety switch

Oven door safety switch prevents damage and burns as it makes it impossible for the children to open the oven door during cooking.

**Symbol description**

	HomeMade oven		SuperSize baking area		Lower heater with circular heater and fan
	HomeChef oven		DynamCooling, cool oven panels		Lower heater and fan
	Pyrolytic cleaning		Oven illumination		StayWarm, keeping dishes warm
	Eco enamel (oven and baking tray)		Defrosting		WarmPlate, for professional service
	Double oven illumination - Openview		Lower and upper heater		Variabile grill
	UCD - Ultra cool door		Circular heater		Maxi grill
	AquaClean		FastPreheat, 200°C in 6 minutes		Maxi grill and fan
	Telescopic oven guides		Large infra grill		
	BigSpace, large oven capacity		Large infra grill and fan		





**BOP 9958 AX**  
Built-in Single Pyrolytic Oven

HomeCHEF

**BO 8776 AX**  
Built-In Single Oven

**BOP 9958 AX**



- Multi system oven
  - Colour: Black
  - Handle colour: Stainless steel
  - Control panel material: Stainless steel and glass
- Efficiency**
- BigSpace gross/net: **64 / 60 l**
  - SuperSize baking area
  - HomeMADE\* modelled on traditional wood-fired bread oven

- Accessories**
- Deep enamelled pan • Shallow enamelled pan • Grid • Meat probe • Wire oven guides

- Safety systems**
- Thermoelectric fuse
  - Dynamic oven cooling plus - DC+
  - Ultra cool door quadro
  - Mechanic door safety bolt

- EasyCleaning**
- Pyrolytic cleaning
  - Eco enamel (oven and baking tray)
  - Smooth oven door surface

- Technical data**
- Connected load: **3,3 kW**
  - Energy consumption: **0,79 kWh** (venting)
  - **0,87 kWh** (conventional)
  - Product dimensions (HxWxD): **59,5 × 59,7 × 56,5 cm**
  - Niche dimensions min-max (HxWxD): **59-60 × 56-56,8 × 55 cm**

- EAN code: **3838942782534**
- Product code: **373793**

- Control**
- Electronic control
  - HomeChef

**Heating types**



- Features**
- Double oven illumination - Openview
  - Fast preheating
  - WarmPlate
  - StayWarm

- Multi system oven
  - Colour: Black
  - Handle colour: Stainless steel
  - Control panel material: Stainless steel and glass
- Efficiency**
- BigSpace gross/net: **66 / 65 l**
  - SuperSize baking area
  - HomeMADE\* modelled on traditional wood-fired bread oven

- Accessories**
- Deep enamelled pan • Shallow enamelled pan • Grid • Meat probe • Telescopic oven guides - 3 levels

- Safety systems**
- Thermoelectric fuse • Dynamic oven cooling plus - DC+ • UCD - Ultra cool door • Mechanic door safety bolt

- EasyCleaning**
- AquaClean function • Eco enamel (oven and baking tray) • Smooth oven door surface • Foldable top • heater for easy cleaning

- Technical data**
- Connected load: **3,3 kW**
  - Energy consumption: **0,79 kWh** (venting)
  - **0,87 kWh** (conventional)
  - Product dimensions (HxWxD): **59,5 × 59,7 × 56,5 cm**
  - Niche dimensions (HxWxD): **59-60 × 56-56,8 × 55 cm**

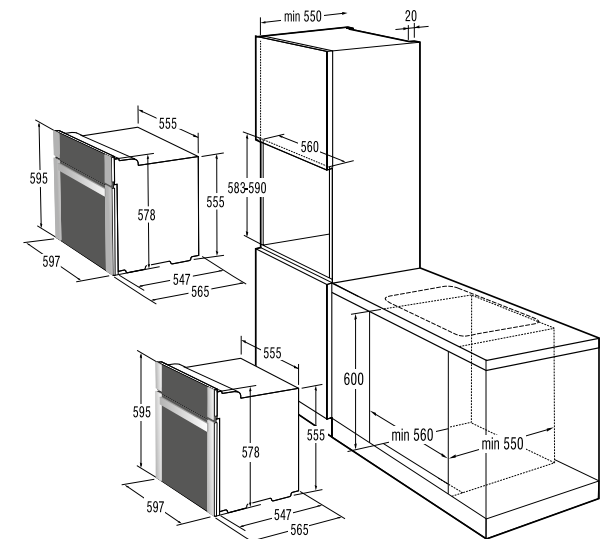
- EAN code: **3838942550102**
- Product code: **250989**

- Control**
- Electronic control
  - DirecTOUCH - Electronic control module with pre-set menus and fast pre-heating

**Heating types**



- Features**
- Double oven illumination - Openview • Fast preheating • WarmPlate • StayWarm



**BO 8776 AX**

BOP 9958 AX comes with a European plug as standard



**BO 7476 AX**  
Built-In Single Oven



**BO 7376 AX**  
Built-In Single Oven



- Multi system oven
  - Colour: Black
  - Handle colour: Stainless steel
  - Control panel material: Stainless steel and glass
- Efficiency**
- BigSpace: gross/net: **66 / 65 l**
  - SuperSize baking area
  - HomeMADE\* modelled on traditional wood-fired bread oven

- Control**
- Electronic control
  - Knobs illumination
  - Touch control electronic programming timer - with temperature display

**Heating types**



- Features**
- Double oven illumination - Openview

- Accessories**
- Deep enamelled pan
  - Shallow enamelled pan
  - Grid
  - Telescopic oven guides - 3 levels

- Safety systems**
- Thermoelectric fuse
  - Dynamic oven cooling plus - DC+
  - UCD - Ultra cool door
  - Mechanic door safety bolt

- EasyCleaning**
- AquaClean function
  - Eco enamel (oven and baking tray)
  - Smooth oven door surface
  - Foldable top heater for easy cleaning

- Technical data**
- Connected load: **3,3 kW**
  - Energy consumption: **0,79 kWh** (venting)
  - **0,87 kWh** (conventional)
  - Product dimensions (HxWxD): **59,5 × 59,7 × 56,5 cm**
  - Niche dimensions (HxWxD): **59-60 × 56-56,8 × 55 cm**

- EAN code: **3838942550089**
- Product code: **250983**



- Multi system oven
  - Colour: Stainless steel
  - Handle colour: Stainless steel
  - Control panel material: Stainless steel
- Efficiency**
- BigSpace: gross/net: **66 / 65 l**
  - SuperSize baking area
  - HomeMADE\* modelled on traditional wood-fired bread oven

- Control**
- Mechanic temperature control
  - Retractable knobs
  - Touch control electronic programming timer

**Heating types**



- Features**
- Oven illumination

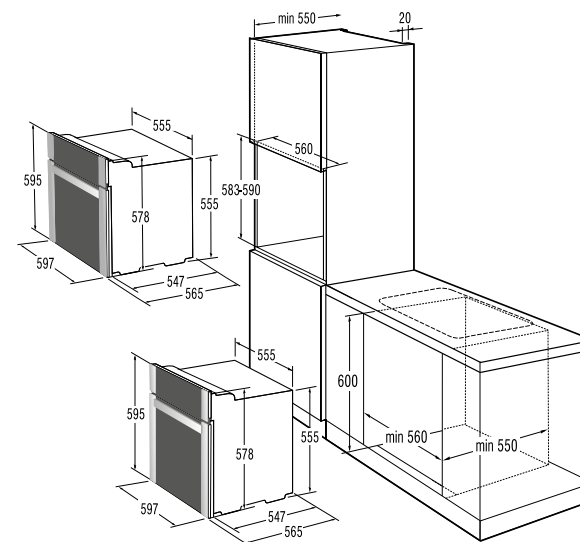
- Accessories**
- Deep enamelled pan
  - Shallow enamelled pan
  - Grid
  - Wire oven guides

- Safety systems**
- Thermoelectric fuse
  - Dynamic oven cooling - DC
  - CoolDoor
  - Mechanic door safety bolt

- EasyCleaning**
- AquaClean function
  - Eco enamel (oven and baking tray)
  - Smooth oven door surface

- Technical data**
- Connected load: **3,3 kW**
  - Energy consumption: **0,79 kWh** (venting)
  - **0,87 kWh** (conventional)
  - Product dimensions (HxWxD): **59,5 × 59,7 × 56,5 cm**
  - Niche dimensions (HxWxD): **59-60 × 56-56,8 × 55 cm**

- EAN code: **3838942550072**
- Product code: **250987**



**BO 7476 AX / BO 7376 AX**



**BO 4375 AX**  
Built-In Single Oven



- Fan venting oven
- Colour: Stainless steel
- Handle colour: Stainless steel
- Control panel material: Stainless steel

**Efficiency**

- BigSpace gross/net: **66 / 65 l**
- SuperSize baking area
- HomeMADE\* modelled on traditional wood-fired bread oven

**Control**

- Mechanic temperature control
- Touch control electronic programming timer

**Heating types**



**Features**

- Oven illumination

**Accessories**

- Deep enamelled pan
- Shallow enamelled pan
- Grid
- Wire oven guides

**Safety systems**

- Thermoelectric fuse
- Dynamic oven cooling - DC
- Compact double-glazed oven door
- Mechanic door safety bolt

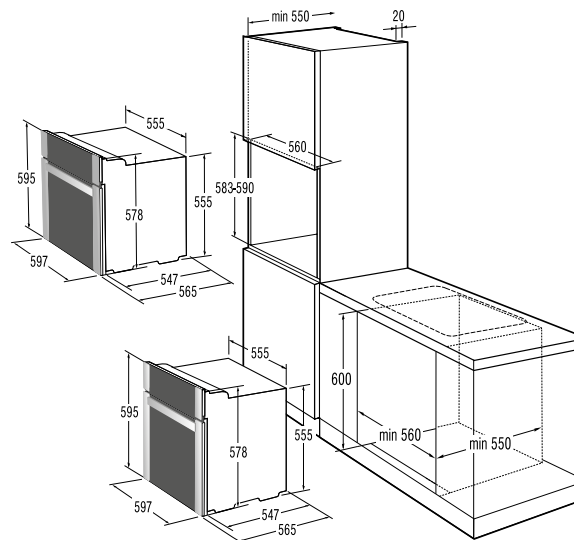
**EasyCleaning**

- Aqua clean function
- Eco enamel (oven and baking tray)

**Technical data**

- Connected load: **2,7 kW**
- Energy consumption: **0,79 kWh** (venting)
- Product dimensions (HxWxD): **59,5 x 59,7 x 56,5 cm**
- Niche dimensions (HxWxD): **59-60 x 56-56,8 x 55 cm**

- EAN code: **3838942550065**
- Product code: **250970**



**BO 4375 AX**



**BD 2136 AX**  
Built-in multifunction double Oven



- Handle colour: Stainless steel
- Control panel material: Glass

**Top oven:**

- Conventional oven - 32 litres capacity



- Wire shelf guides with three levels
- Grill

**Main Multifunction oven:**

- Fan oven - 54 litres capacity



- Wire shelf guides with three levels
- Grill

**Features:**

- Electronic timer

**Double oven equipment:**

- Top oven
- Grill grid, baking tray

*Main oven*

- 1 Grill grid
- 1 Shallow pan + trivet
- 1 Grill pan handle
- Rounded metal strips

**Technical data**

- Connected load: **4.92 kW**
- Dimensions (HxWxD): **88.5 x 59.6 x 54.5 cm**
- Aperture dimensions (HxWxD): **88 x 56 x 56 cm**

- EAN code: **3838942820830**
- Product code: **253643**



**BDU 2136 AX**  
Built-under multifunction double Oven



- Handle colour: Stainless steel
- Control panel material: Glass

**Top oven:**

- Conventional oven - 32 litres capacity



- Wire shelf guides with three levels
- Grill

**Main Multifunction oven:**

- Fan oven - 46 litres capacity



- Wire shelf guides with three levels
- Grill

**Features:**

- Electronic timer

**Double oven equipment:**

- Top oven
- Grill grid, baking tray

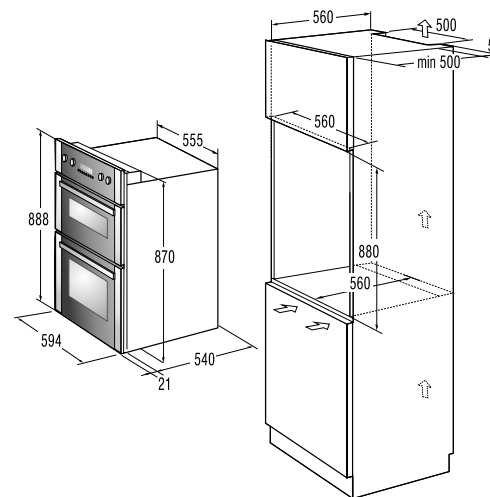
*Main oven*

- 1 Grill grid
- 1 Shallow pan + trivet
- 1 Grill pan handle
- Rounded metal strips

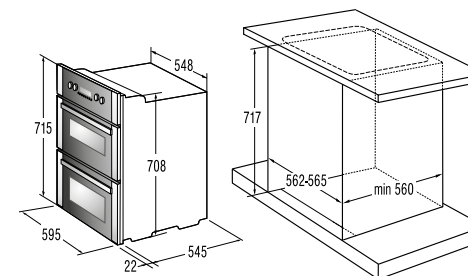
**Technical data**

- Connected load: **4.12 kW**
- Dimensions (HxWxD): **71.5 x 59.5 x 54.5 cm**
- Aperture dimensions (HxWxD): **71.7 x 56.2 x 56 cm**

- EAN code: **3838942861970**
- Product code: **408269**



**BD 2136 AX**



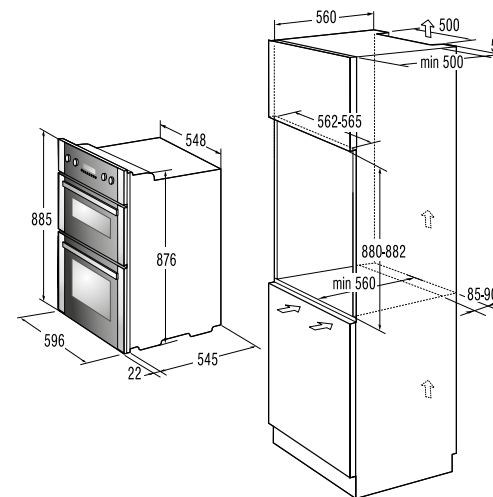
**BDU 2136 AX**



**BD 2116 AX**  
Built-in double fan Oven



**BDU 2116 AX**  
Built-under double fan Oven



**BD 2116 AX**

**A** Energy Class

**B** Energy Class

ECO

- Fan venting oven
- Handle colour: Stainless steel
- Control panel material: Stainless steel

**Top oven:**

- Conventional oven - 34 litres capacity



- Wire shelf guides with three levels
- Grill

**Main oven:**

- Fan oven - 58 litres capacity



- Wire shelf guides with three levels

**Features:**

- Electronic timer

**Double oven equipment:**

- Top oven*
- Wire shelf

*Main oven*

- Shallow grill pan and trivet, wire shelf

**Technical data**

- Connected load: **4,25 kW**
- Dimensions (HxWxD): **88.8 x 59.4 x 54 cm**
- Aperture dimensions (HxWxD): **88 x 56 x 56 cm**

- EAN code: **3838942545795**
- Product code: **253643**

**A** Energy Class

**B** Energy Class

ECO

- Fan venting oven
- Handle colour: Stainless steel
- Control panel material: Stainless steel

**Top oven:**

- Conventional oven - 32 litres capacity



- Wire shelf guides with three levels
- Grill

**Main oven:**

- Fan oven - 41.6 litres capacity



- Wire shelf guides with three levels

**Features:**

- Electronic timer

**Double oven equipment:**

- Top oven*
- Wire shelf

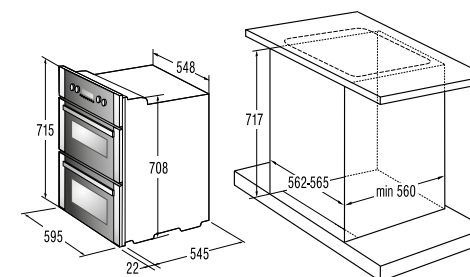
*Main oven*

- Shallow grill pan and trivet, wire shelf

**Technical data**

- Connected load: **3,85 kW**
- Dimensions (HxWxD): **71.5 x 59.5 x 54.5 cm**
- Aperture dimensions (HxWxD): **71.7 x 56.2 x 56 cm**

- EAN code: **3838942545801**
- Product code: **253645**



**BDU 2116 AX**



# CUSTOMIZED COOKERS TAILORED TO YOUR NEEDS












Gorenje's wide range of cookers has been designed to deliver superior culinary performance. Whether electric or gas, the new cookers are available in 50 cm or 60 cm size. Ease of operation is ensured by a perceptive design, slender and ergonomic form of the control knobs and an easy to use electronic programming timer. More sophisticated models feature finger touch controls (oven and hob), which makes cooking and baking even easier.





**E 63175 AW**  
Freestanding all Electric cooker

**Symbol description**

	HomeMade oven		Upper heater
	Eco enamel (oven and baking tray)		Large infra grill
	AquaClean		Variabile grill
	BigSpace, large oven capacity		Gas thermostat
	Lower and upper heater		Gas infrared burner
	Lower heater		



- Colour: White
- Door material: Glass

**Efficiency**

- Conventional oven • Electric Hob

**Control**

- Ergonomic knobs

**Cooking surface**

- 2 electric fast cooking zones + 2 electric standard cooking zones
- Left front: Ø 18 cm, 2 kW
- Right front: Ø 14,5 cm, 1,5 kW
- Left behind: Ø 14,5 cm, 1 kW
- Right behind: Ø 18 cm, 1,5 kW

**Oven**

- Conventional oven - 70 l
- SuperSize baking area
- HomeMADE\* modelled on traditional wood-fired bread oven

**Heating types**



**Functions**

- Oven illumination

**Equipment**

- Deep enamelled pan
- Shallow enamelled pan
- Grid
- Wire oven guides

**Safety systems**

- Thermoelectric fuse
- Compact double-glazed oven door

**EasyCleaning**

- Aqua clean function
- Eco enamel (oven and baking tray)

**Technical data**

- Nominal power: **8,7 kW**
- Energy consumption: **0,87 kWh** (conventional)
- Product dimensions (HxWxD): **90 × 60 × 60 cm**

- EAN code: **3838942533464**
- Product code: **247443**





**E 52108 AW**  
Freestanding all Electric cooker



**GI 62123 AW**  
Freestanding all Gas cooker



**GI 52108 AW**  
Freestanding all Gas cooker

**B** Energy Class

50 cm → 90 cm ↑

ECO

ECO

- Colour: White
- Control panel material: Enamel
- Door material: Glass

- Efficiency**
- Conventional oven
  - Electric hob

- Control**
- Ergonomic knobs

- Cooking surface**
- 1 fast electric hob + 2 standard electric hobs + 1 standard hob with temperature restrainer
  - Left front: Ø 18 cm, 2 kW
  - Right front: Ø 14,5 cm, 1 kW
  - Left behind: Ø 14,5 cm, 1 kW
  - Right behind: Ø 18 cm, 1,5 kW

- Oven**
- Conventional - 49 l



- Functions**
- Oven illumination

- Equipment**
- Deep enamelled pan
  - Grid
  - Ribbed oven guides

- Safety systems**
- Compact double-glazed oven door

- EasyCleaning**
- Aqua clean function
  - Eco enamel (oven and baking tray)

- Technical data**
- Nominal power: **7,4 kW**
  - Energy consumption: **0,94 kWh** (conventional)
  - Product dimensions (H×W×D): **90 × 50 × 60,5 cm**

- EAN code: **3838942523021**
- Product code: **241209**

60 cm → 90 cm ↑

ECO

ECO

ECO

- Colour: White
- Door material: Glass

- Efficiency**
- Gas oven
  - Gas hob

- Control**
- Electric ignition of gas burners

- Features**
- Burner frames number: 2

- Cooking surface**
- 1 auxiliary burner, 1 large burner, 2 standard burners
  - Left front: Ø 6,9 cm, 1,9 kW
  - Right front: Ø 9,4 cm, 3 kW
  - Left behind: Ø 6,9 cm, 1,9 kW
  - Right behind: Ø 4,6 cm, 1 kW
  - Type of pan support: Enamelled

- Oven**
- Gas oven - 47 l
  - SuperSize baking area
  - HomeMADE® modelled on traditional wood-fired bread oven

**Heating types**



- Functions**
- Oven illumination

- Equipment**
- Deep enamelled pan
  - Shallow aluminium pan
  - Grid
  - Ribbed oven guides

- Safety systems**
- Compact double-glazed oven door

- EasyCleaning**
- Aqua clean function
  - Eco enamel (oven and baking tray)

- Technical data**
- Product dimensions (H×W×D): **90 × 60 × 60 cm**

- EAN code: **3838942533471**
- Product code: **247444**

50 cm → 90 cm ↑

ECO

- Colour: White
- Control panel material: Enamel
- Door material: Glass

- Efficiency**
- Gas oven
  - Gas hob

- Control**
- Electric ignition of gas burners

- Features**
- Burner frames number: 2
- Cooking surface**
- 1 auxiliary burner, 1 large burner, 2 standard burners
  - Left front: Ø 5,5 cm, 1 kW
  - Right front: Ø 7,5 cm, 1,75 kW
  - Left behind: Ø 7,5 cm, 1,75 kW
  - Right behind: Ø 10 cm, 2,7 kW

- Oven**
- Gas oven - 46 l

**Heating types**



- Functions**
- Oven illumination

- Equipment**
- Deep enamelled pan
  - Grid
  - Ribbed oven guides

- Safety systems**
- Thermolectric fuse
  - Compact double-glazed oven door

- EasyCleaning**
- Aqua clean function
  - Eco enamel (oven and baking tray)

- Technical data**
- Product dimensions (H×W×D): **90 × 50 × 60,5 cm**

- EAN code: **3838942523045**
- Product code: **241211**

# COMBINED STEAM OVEN

Cooking in compact combined steam oven retains full flavour of the food, vitamins, and nutrients. Simple control of many preset programs and convenient functions allow preparing quality and balanced meals every day.

- High energy efficiency: A

- **SteamPower:** innovative steam cooking system
- **11 combined functions**
- **Pre-selected, changeable recipe book**
- **Lavish oven equipment**
- **Possibility of upgrade with a warming drawer**



## Combined steam oven

A combined steam oven offering the possibility of preparing food with steam or hot air or even a combination of both! In addition to the numerous preset programmes and the various cooking functions, the oven distinguishes itself by a simple and comfortable touch-screen operation. The screen can display the functions in eleven different preset languages, while advanced built-in functions maximally simplify the oven's maintenance.

## Warming drawer

The functionality of the steam oven can be further upgraded by the addition of a separate warming drawer. The drawer is installed right under the steam oven, fitting perfectly into the furniture element designed for classic built-in ovens. The drawer can be used to both heat crockery as well as keeping food warm.

# MICROWAVE TECHNOLOGY



## Superior defrosting and browning in microwave mode

The CyclicDefrost option featuring a random sequencing of the microwave pulse energy penetrates the food from the inside, defrosting it more evenly and more quickly. The Turbo baking feature used in conjunction with convection heating using hot air and grill will help you produce crispy, golden brown goodies, which until now was just about impossible to achieve in a microwave. The exceptional functionality of this microwave oven offers you a variety of choices when it comes to preparing food:



- defrosting and reheating
- combined use of grill and convection heating
- combined use of microwaves and convection heating
- roasting/cooking in convection mode, without microwaves.

## Multi function ovens: microwave, convection and grill

Gorenje built-in microwave ovens bring you all the advantages of microwaves, convection and grill, while their combined use opens up a whole new world of culinary options and experiences. There are six different power level settings to enable the microwave to speed up your cooking, while active convection (heating the oven up to 250 °C) ensures perfectly even cooking results every time. The option of simultaneously using the grill and convection heating is particularly handy when preparing a roast, while the combined use of the grill and microwaves can be used to great effect when cooking smaller cuts of meat, pizza and many other foods.



### Symbol description

	Steam cooking
	Cooking with steam and hot air



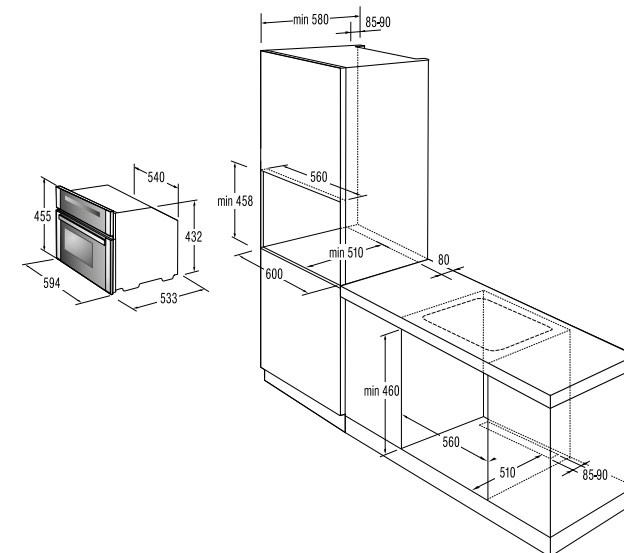
2 YEAR  
GUARANTEE

**BOC 6322 AX**  
Built in combined Steam Oven



2 YEAR  
GUARANTEE

**BOC 5322 AX**  
Built-in combined compact Microwave oven



**BOC 6322 AX**

**A** Energy Class

59,4 cm



- Colour: Stainless steel
- Handle colour: Stainless steel
- Control panel material: Glass

- Efficiency**
- Multifunction oven - 34 l
  - SuperSize baking area

- Control**
- Electronic control
  - Touch control electronic programming timer - with temperature display

**Heating types**



- Features**
- Double oven illumination - Openview

- Accessories**
- Grid
  - Ribbed oven guides

- Safety systems**
- Thermoelectric fuse
  - Dynamic oven cooling - DC
  - CoolDoor
  - Electronic door safety bolt

- EasyCleaning**
- Stainless steel oven interior

- Technical data**
- Connected load: 3,1 kW
  - Energy consumption: 0,74 kWh (venting), 0,78 kWh (conventional)
  - Product dimensions (HxWxD): 45,8 × 59,4 × 56 cm
  - Niche dimensions (HxWxD): 45-45,8 × 56 × 56 cm

• EAN code: 3838942820854  
 • Product code: 399143

59,5 cm

- Colour: Stainless steel
- Handle colour: Stainless steel
- Stainless steel oven interior

- Efficiency**
- Oven volume: 32 l
  - Number of power levels: 6
  - Max microwave power: 1000 W

- Control**
- Electronic control

**Heating types**



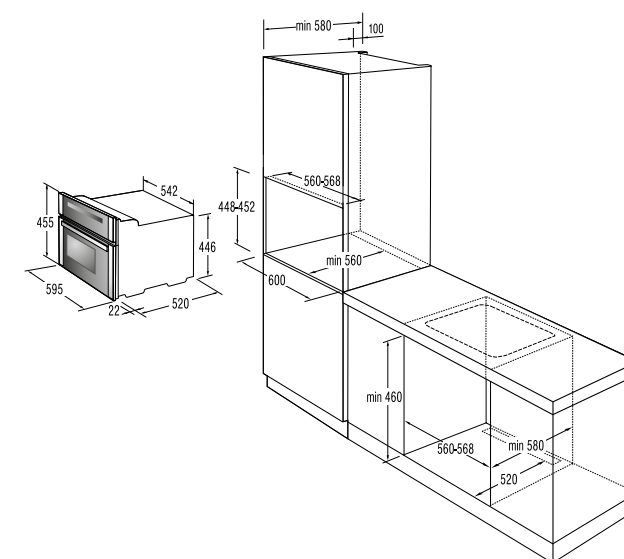
- Functions**
- Defrost function by weight

- Safety systems**
- Child lock

- Accessories**
- Illumination
  - Rotating plate
  - Plate diameter: 32 cm





- Technical data**
- Connected load: 3,4 kW
  - Product dimensions (HxWxD): 45,5 × 59,5 × 54,2 cm
  - Niche dimensions (HxWxD): 44,8-45,2 × 56-56,8 × 55 cm

• EAN code: 3838942523595  
 • Product code: 246143



**BOC 5322 AX**

Symbol description

	Microwaves + grill		Defrost function
	Microwaves		AUTO menu



**NEW**

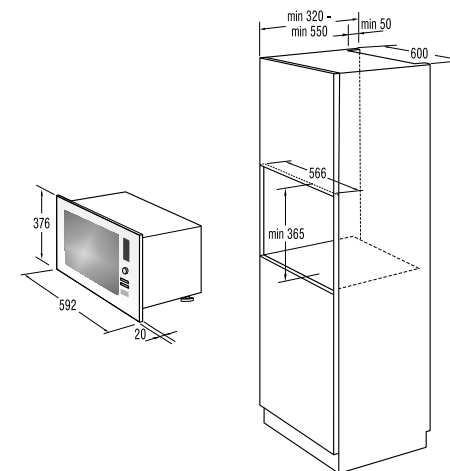
**2 YEAR GUARANTEE**

**BM 5250 X**  
Built-in Microwave Oven with grill



**2 YEAR GUARANTEE**

**BM 5240 AX**  
Built-in Microwave Oven with grill



**BM 5250 X**

59,2  
← cm →

- Colour: Stainless steel
  - Stainless steel oven interior
- Efficiency**
- Oven volume: **20 l**
  - Number of power levels: **5**
  - Max microwave power: **700 W**

- Control**
- Electronic control

**Heating types**



- Functions**
- Defrost function by weight

- Accessories**
- Rotating plate
  - Plate diameter: 24,5 cm
  - Built-in frame
- Technical data**
- Connected load: **1,08 kW**
  - Product dimensions (HxWxD): **37,6 × 59,2 × 31,3 cm**
  - Niche dimensions (HxWxD): **35-36 × 57-58 × 32,3 cm**

- EAN code: **3838942772139**
- Product code: **367709**

59,5  
← cm →

- Colour: Stainless steel
  - Stainless steel oven interior
- Efficiency**
- Oven volume: **23 l**
  - Number of power levels: **6**
  - Max microwave power: **900 W**

- Control**
- Electronic control

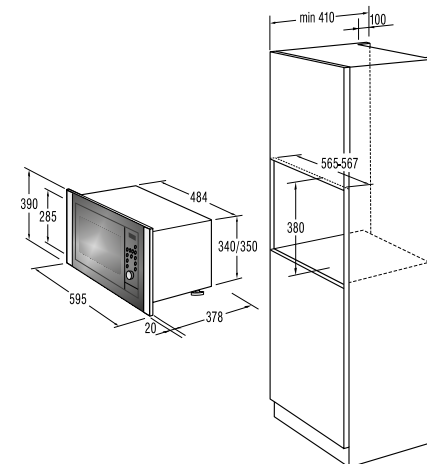
**Heating types**



- Functions**
- Defrost function by weight

- Accessories**
- Illumination
  - Rotating plate
  - Plate diameter: 27 cm
- Technical data**
- Connected load: **1,4 kW**
  - Product dimensions (HxWxD): **39 × 59,5 × 37 cm**
  - Niche dimensions (HxWxD): **38 × 56,7 × 43 cm**

- EAN code: **3838942693731**
- Product code: **319347**



**BM 5240 AX**



**BWD 1102 AX**  
Warming drawer



- Front material: Metal and glass
- Handle colour: Stainless steel

**Features**

- Capacity: 6 standard place settings or 80 coffee cups or 40 tea cups
- Air vented circulation
- Illuminated power button
- Temperature setting: Temperature between 30-85 °C
- Telescopic pull-out mechanism
- Cold front
- Connected load: 400 W

**Technical data**

- Connected load: **0,4 kW**
- Dimensions (W×H×D): **59,5 × 14 × 55,7 cm**
- Interior dimensions: **44 × 10 × 50 cm**
- Niche dimensions (W×H×D): **56 × 59,3 × 55 cm**

- EAN code: **3838942523922**
- Product code: **246151**



**DFM 46 PAX**  
Microwave decor panel

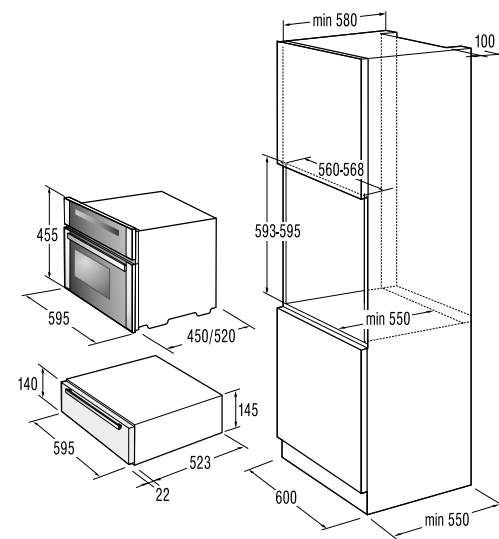


- Front material: Metal and glass
- Metal - plastic handle
- Handle colour: Stainless steel
- To be used in conjunction with a freestanding microwave

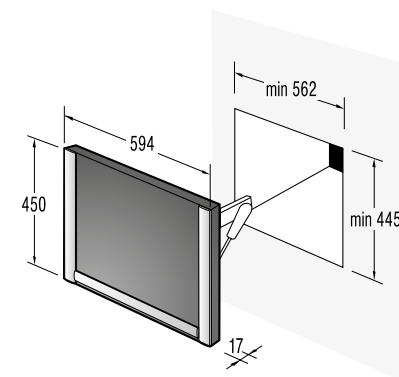
**Technical data**

- Product dimensions (H×W×D): **45,8 × 59,5 × 6 cm**

- EAN code: **3838942528262**
- Product code: **242164**



**BWD 1102 AX**



**DFM 46 PAX**



# NEW DIMENSIONS IN COOKING

Top class induction hob IQCook: cooking made easy in a revolutionary way!

Innovative technology of IQ sensors built into the cooking zones and mounted on the cookware lid guarantees completely safe and controlled hob operation. Preset cooking modes additionally simplify the preparation of many dishes.



reddot design award  
winner 2012

# IQCook

## THE GENIUS COOKING REVOLUTION

### Revolutionary IQ sensor technology

Top class induction hob IQCook: cooking made easy in a revolutionary way! Innovative technology of IQ sensors built into the cooking zones and mounted on the cookware lid guarantees completely safe and controlled hob operation. Preset cooking modes additionally simplify the preparation of many dishes. But there is more! IQCook hobs are based on the generation of the most powerful XtremePower induction hobs. These hobs deliver remarkable cooking power. Patented solution tailored to suit the user, combined with a technologically perfected induction hob!



### Preset cooking modes

Preset operating modes are a remarkable feature. They allow automatic preparation of a wide range of dishes. Another unique function is steam cooking which preserves the food's nutrients, vitamins, firmness, and full natural flavour.

#### Three preset cooking modes using the lid on the pot:

- **IQsteam** - steam cooking
- **IQboil** - cooking with large amount of water
- **IQpro** - slow cooking

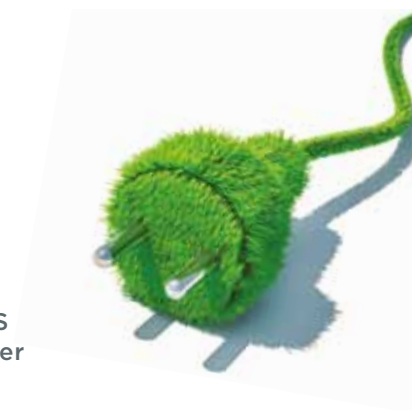
#### Two preset frying modes:

- **IQfry** - frying
- **IQgrill** - grilling



### 100 % AUTOMATIC COOKING CONTROL Using the IQ sensors

Proven and reliable IQ sensors automatically control the operation of the cooking hob without the need of constant monitoring over cooking. IQ sensor, built into the lid of your cookware, will control the cooking progress in the pan and automatically regulate the temperature and hob power in communication with the sensor built into the cooking zone. Automatic hob operation with the IQ sensors!  
100 % DELICIOUS!



### UP TO 40 % ENERGY SAVINGS With full parameter optimization

IQCook cooking hob will optimize the temperature throughout the cooking process to achieve considerable energy savings. Full optimization of all cooking parameters!  
SAVE UP TO 40 %!



### 100 % SAFETY From boiling over and burning

SmartSense patented safety function will prevent the food from boiling over or burning. By communicating with the IQ sensors, the cooking hob will perceive if the liquid evaporates and consequently automatically switch off the hob. No more boiled over or burnt food.  
100 % SAFE!





### **IQboil: Cooking with a large amount of water**

This cooking mode is suitable for dishes that require a large amount of water such as soups and pasta. Preset cooking mode will bring the contents of the pot to the boil and then maintain the boiling temperature through communication with the IQ sensors. Choose between light, moderate, and heavy boil.

100% JUICY!



### **IQpro: Slow cooking**

This cooking mode is adapted for farinaceous dishes that require a longer cooking time with slow preheating and light boiling, such as goulash, milk, rice soufflé, pudding, and polenta. Also appropriate for reheating previously prepared and precooked food.

100% FLAVOURFUL!



### **IQfry: Frying**

Preset mode for frying with a large amount of oil. Appropriate for frying doughnuts and French fries/chips.

100% CRUNCHY!



### **IQgrill: Grilling**

This convenient preset grilling mode allows choosing between three levels of doneness (rare, medium, well-done). It is appropriate for grilling steaks, deep-fried food, potatoes, fish, omelettes, and pancakes, as it ensures even cooking and retains the juiciness of the food.

100% DELICIOUS!

### **How does it work?**

IQ sensors are built into each cooking zone of the hob to allow the use of the outstanding IQCook function on all four zones simultaneously! If you accidentally place a wrong lid on the pan during cooking, IQ sensor technology will perceive this mistake and notify you with an acoustic signal. Cooking process will proceed without interruption.

Patented SmartSense safety function prevents the food from boiling over or burning: if fluid evaporates from the pan, it will automatically switch off the cooking hob.



# INDUCTION AND HI-LIGHT GLASS CERAMIC HOBS



## Cooking with induction

With induction technology only the surface under of the utensil is heated, not the entire hob. As a result, the adjacent hob surface, which is not in contact with the cookware, is cool and safe to touch. Once the utensil has been removed from the zone it has been switched off or the plate has been switched off, the temperature of the hob surface drops rapidly. Due to the instant responsiveness of the induction zone, there is no danger of boiling over, which also spares you the inconvenient and unpleasant chore of extra cleaning. By a simple touch of your fingertips you can easily adjust the temperature when preparing various sauces, melting chocolate or performing other temperature-sensitive cooking operations. The key advantages of induction hobs lie in their speed, economy of use and safety.



## Two or three and oval ring heating zones

Two- or three ring heating zones make it possible for your hob to adapt precisely to the various cookware used. The oval heating zone is ideal for cooking large cuts of meat or fish. By simply switching on the extra rings, you can increase the cooking zone as required, thereby saving valuable energy.



## BoilControl

The BoilControl function prevents pots from boiling over as it automatically adjusts the temperature of all HiLight cooking zones. After initial operation at maximum heat the hob regulates the heat output to hold the temperature at the set level. Function can be switched on or off any time. Your pots will never boil over ever again!

## Rapid and economic

Time needed to heat 2 litres of water from 15° to 90° C (in minutes)

XtremePower induction	4.2 min
XtremePower induction without PowerBoost function	5.7 min
Induction with PowerBoost function	6.5 min
Induction	7.1 min
HiLight hob	10 min

# GAS HOBS



## ▷ Cooking with gas

Gorenje gas cookers are characterized by their superior utilisation of an open flame, which translates into a superior heat output and improved cooking performance. The food coagulates faster, which locks in the majority of nutrients and preserves the natural flavour. The burners are made of three components, which can be easily taken apart and just as easily cleaned.



## ▷ Gas or a combination of gas and induction on tempered glass hobs

The wide range of Gorenje hobs also includes a selection of ceramic glass hobs fitted with gas burners. Also a useful combination of two gas burners and two induction zones on one hob. In addition to giving you a professional chef's control, this combination has the extra advantage of easy cleaning and an appealing design.



## Wok burner

A designated, triple crown gas burner heats the wok at an accelerated rate, which allows you to prepare your dishes within minutes. Vegetables will be crispy and cooked just right, and will retain more vitamins, minerals and other nutrients compared to food cooked in a conventional way.

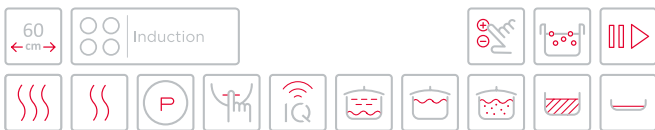
**Symbol description**

	SmartControl dedicated controls for each cooking zone		IQsteam, steam cooking		SuperPower Allboost - super power all over and at the same time
	Touch control		IQboil, cooking with a large amount of water		Powercontrol
	BoilControl prevents the food from boiling over		IQpro, slow cooking		EasyClean
	StopGo safe cooking function		IQfry, frying mode		SuperSilent
	StayWarm keeping your food warm		IQgrill, grilling mode		Wok gas burner
	SoftMelt melting food at low temperature		PowerBoost faster heating and cooking		
	IQcook		SuperBoost - super boost for super power of your hob		



**IQ 641 AC**  
IQ Induction hob

IQook



- Colour: Black
- Chamfered hob edge

#### Control

- SmartControl
- Timer function

#### Features

- BoilControl, prevents pots from boiling over
- IQboil, cooking with a large amount of water
- IQfry, frying mode
- IQgrill, grilling mode
- IQpro, slow cooking
- IQsteam, steam cooking
- SmartSense security function
- Enhanced performance with Powerboost
- StopGo
- SuperSilent
- StayWarm function
- SoftMelt

#### Cooking surface

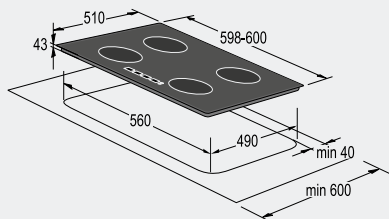
- 4 induction cooking zones
- Left front: Ø 21 cm, 2,3/3,7 kW
- Right front: Ø 18 cm, 1,85/3 kW
- Left behind: Ø 14,5 cm, 1,4/2,2 kW
- Right behind: Ø 18 cm, 1,85/3 kW

#### Safety and durability

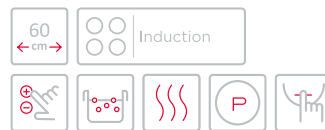
- Residual heat indicator
- Safety control hob lock
- Safety function

#### Technical data

- Connected load: **7,4 kW**
- Product dimensions (H×W×D): **4,7 × 60 × 51 cm**
- Niche dimensions (H×W×D): **4,3 × 56 × 49 cm**
- EAN code: **3838942789298**
- Product code: **378085**



**IS 644 AC**  
Induction hob



- Colour: Black
- Chamfered hob edge

#### Control

- SmartControl
- Timer function
- Slider touch

#### Features

- BoilControl, prevents pots from boiling over
- SmartSense security function
- Enhanced performance with Powerboost
- SuperSilent
- StayWarm function

#### Cooking surface

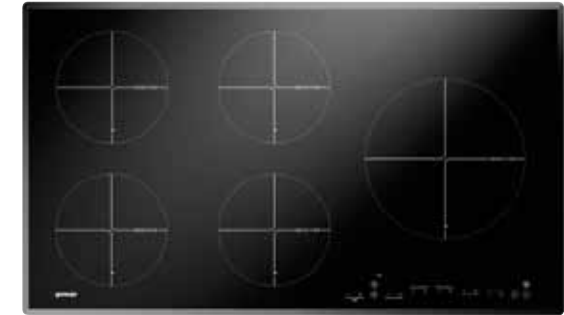
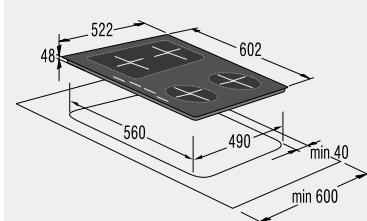
- 4 induction cooking zones
- Left front: Ø 19×22 cm, 2,3/3,7 kW
- Right front: Ø 18 cm, 1,85/3 kW
- Left behind: Ø 19×22 cm, 2,3/3,7 kW
- Right behind: Ø 18 cm, 1,85/3 kW

#### Safety and durability

- Residual heat indicator
- Safety function

#### Technical data

- Connected load: **7,4 kW**
- Product dimensions (H×W×D): **4,7 × 60 × 51 cm**
- Niche dimensions (H×W×D): **4,3 × 56 × 49 cm**
- EAN code: **3838942717697**
- Product code: **329249**



**IT 951 AC**  
Induction hob



- Colour: Black
- Chamfered hob edge

#### Control

- SmartControl
- Timer function

#### Features

- BoilControl, prevents pots from boiling over
- SmartSense security function
- Enhanced performance with Powerboost
- StopGo
- SuperSilent
- StayWarm function
- SoftMelt

#### Cooking surface

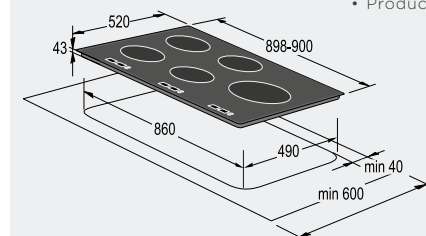
- 5 induction cooking zones
- Left front: Ø 18 cm, 1,85/3 kW
- middle front: Ø 18 cm, 1,85/3 kW
- Left behind: Ø 18 cm, 1,85/3 kW
- middle behind: Ø 18 cm, 1,85/3 kW
- Right behind: Ø 26 cm, 2,6/3,7 kW

#### Safety and durability

- Residual heat indicator
- Safety control hob lock
- Safety function

#### Technical data

- Connected load: **11,1 kW**
- Product dimensions (H×W×D): **4,8 × 90 × 52 cm**
- Niche dimensions (H×W×D): **5,8 × 86 × 49 cm**
- EAN code: **3838942623981**
- Product code: **280132**





**IT 712 ASC**  
Induction hob

SuperPower



- Colour: Black
- Bevelled edges

**Control**

- Touch control
- Timer function

**Features**

- Enhanced performance with Powerboost
- SuperBoost
- AllBoost
- PowerControl
- SuperSilent
- EasyClean

**Cooking surface**

- 4 induction cooking zones
- Left front: Ø 18,5 cm, 1,4/2 kW
- Right front: Ø 16,5 cm, 1,2/1,4 kW
- Left behind: Ø 16,5 cm, 1,2/1,4 kW
- Right behind: Ø 20,5 cm, 2/2,3 kW

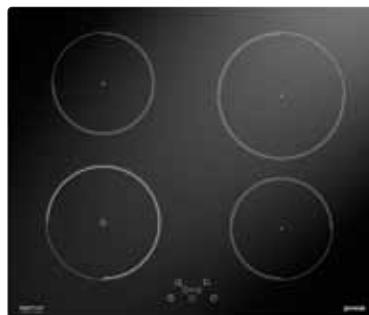
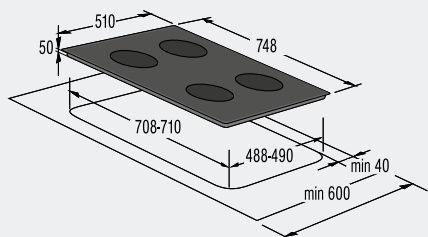
**Safety and durability**

- Residual heat indicator
- Safety function

**Technical data**

- Connected load: **7,1 kW**
- Product dimensions (HxWxD): **5,5 × 74,8 × 51 cm**
- Niche dimensions (HxWxD): **5 × 71 × 49 cm**

- EAN code: **3838942806353**
- Product code: **384838**



**IT 612 ASC**  
Induction hob

SuperPower



- Colour: Black
- Bevelled edges

**Control**

- Touch control
- Timer function

**Features**

- Enhanced performance with Powerboost
- SuperBoost
- AllBoost
- PowerControl
- SuperSilent
- EasyClean

**Cooking surface**

- 4 induction cooking zones
- Left front: Ø 18,5 cm, 1,4/2 kW
- Right front: Ø 16,5 cm, 1,2/1,4 kW
- Left behind: Ø 16,5 cm, 1,2/1,4 kW
- Right behind: Ø 20,5 cm, 2/2,3 kW

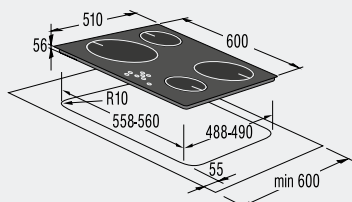
**Safety and durability**

- Residual heat indicator
- Safety function

**Technical data**

- Connected load: **7,1 kW**
- Product dimensions (HxWxD): **5,6 × 60 × 51 cm**
- Niche dimensions (HxWxD): **5,2 × 56 × 49 cm**

- EAN code: **3838942786044**
- Product code: **375287**



**IT 1141 AC**  
Induction hob



- Colour: Black
- Chamfered edge

**Control**

- SmartControl
- Timer function

**Features**

- BoilControl, prevents pots from boiling over
- SmartSense security function
- Enhanced performance with Powerboost
- StopGo
- SuperSilent
- StayWarm function
- SoftMelt

**Cooking surface**

- 4 induction cooking zones
- Left front: Ø 21 cm, 2,3/3,7 kW
- Right front: Ø 21 cm, 2,3/3,7 kW
- Centre left: Ø 18 cm, 3,0/1,85 kW
- Centre right: Ø 18 cm, 3,0/1,85 kW

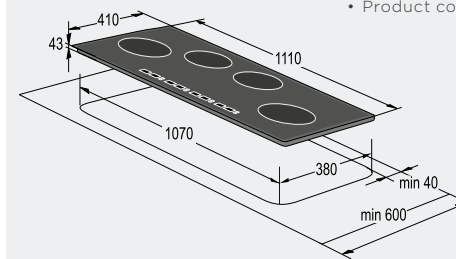
**Safety and durability**

- Residual heat indicator
- Safety control hob lock
- Safety function

**Technical data**

- Connected load: **7,4 kW**
- Product dimensions (HxWxD): **5,7 × 111 × 41 cm**
- Niche dimensions (HxWxD): **5,3 × 107 × 38 cm**

- EAN code: **3838942623974**
- Product code: **280133**





**ITG 623 ASC**  
Combined gas and induction hob



- Colour: Black
- Bevelled edges

**Control**

- Timer function

**Features**

- BoilControl, prevents pots from boiling over

**Cooking surface**

- 1 burner auxiliary + 1 burner normal + 2 induction zones
- Left front: Ø 16 cm, 1,4 kW
- Right front: 1 kW
- Left behind: Ø 20 cm, 3 kW
- Right behind: 3 kW
- Single-handed ignition

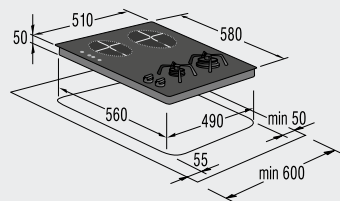
**Safety and durability**

- Safety function
- Flame failure protected burners

**Technical data**

- Connected load: **2,8 kW**
- Product dimensions (HxWxD): **5 × 58 × 51 cm**
- Niche dimensions (HxWxD): **6,6 × 55 × 47 cm**

- EAN code: **3838942702662**
- Product code: **325833**



**IT 310 AC**  
Induction hob



- Colour: Black
- Chamfered front edge

**Control**

- Touch control
- Timer function

**Cooking surface**

- 2 induction cooking zones
- front: Ø 16 cm, 1,4 kW
- behind: Ø 20 cm, 2,3/3 kW

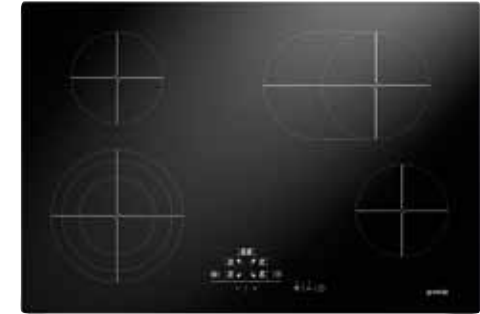
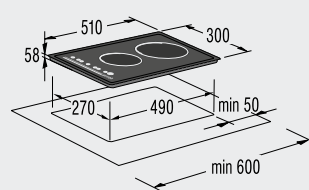
**Safety and durability**

- Residual heat indicator
- Safety control hob lock

**Technical data**

- Connected load: **3,6 kW**
- Product dimensions (HxWxD): **7,2 × 30 × 51 cm**
- Niche dimensions (HxWxD): **6,8 × 27,5 × 49 cm**

- EAN code: **3838942785221**
- Product code: **241693**



**ECT 780 ASC**  
Glass ceramic hob



- Colour: Black
- Bevelled edges

**Control**

- Touch control
- Timer function

**Features**

- BoilControl, prevents pots from boiling over
- StopGo
- StayWarm function

**Cooking surface**

- 4 HiLight cooking zones
- Left front: Ø 21/17,5/12 cm, 2,3 kW
- Right front: Ø 14,5 cm, 1,2 kW
- Left behind: Ø 14,5 cm, 1,2 kW
- Right behind: Ø 26,5x17 cm, 2,4 kW

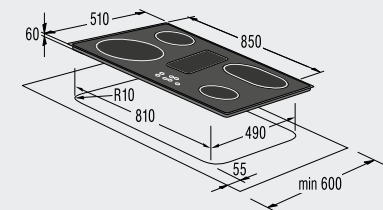
**Safety and durability**

- Residual heat indicator
- Safety control hob lock
- Safety function

**Technical data**

- Connected load: **7,1 kW**
- Product dimensions (HxWxD): **5,4 × 75 × 51 cm**
- Niche dimensions (HxWxD): **5 × 71 × 49 cm**

- EAN code: **3838942551086**
- Product code: **251237**





**ECS 680 AC**  
Glass ceramic hob



- Colour: Black
- Chamfered hob edge

**Control**

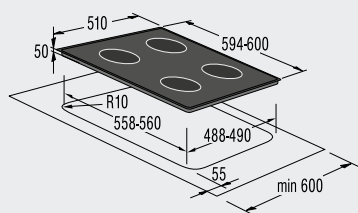
- SliderTouch, control at your fingertips
- Timer function

**Features**

- BoilControl, prevents pots from boiling over
- StayWarm function

**Cooking surface**

- 4 HiLight cooking zones  
Left front: Ø 21/17,5/12 cm, 2,3 kW  
Right front: Ø 14,5 cm, 1,2 kW  
Left behind: Ø 14,5 cm, 1,2 kW,
- Right behind: Ø 26,5x17 cm, 2,4 kW



**Safety and durability**

- Residual heat indicator
- Safety control hob lock
- Safety function

**Technical data**

- Connected load: **7,1 kW**
- Product dimensions (HxWxD): **5,4 × 60 × 51 cm**
- Niche dimensions (HxWxD): **5 × 56 × 49 cm**
- EAN code: **3838942855887**
- Product code: **405025**



**EC 630 ASC**  
Glass ceramic hob



- Colour: Black
- Bevelled edges

**Cooking surface**

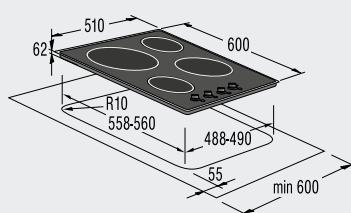
- 4 HiLight cooking zones  
Left front: Ø 21/12 cm, 2,2 kW  
Right front: Ø 14,5 cm, 1,2 kW  
Left behind: Ø 14,5 cm, 1,2 kW  
Right behind: Ø 18 cm, 1,8 kW

**Safety and durability**

- Residual heat indicator

**Technical data**

- Connected load: **6,4 kW**
- Product dimensions (HxWxD): **9,2 × 60 × 51 cm**
- Niche dimensions (HxWxD): **6,2 × 56 × 49 cm**
- EAN code: **3838942551802**
- Product code: **251234**



**EC 310 AC**  
Glass ceramic hob



- Colour: Black
- Chamfered front edge

**Cooking surface**

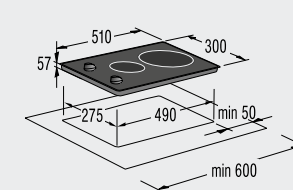
- 2 HiLight cooking zones  
front: Ø 14,5 cm, 1,2 kW  
behind: Ø 18 cm, 1,7 kW

**Safety and durability**

- Residual heat indicator

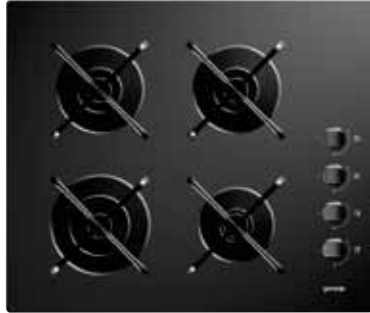
**Technical data**

- Connected load: **2,9 kW**
- Product dimensions (HxWxD): **8,8 × 30 × 51 cm**
- Niche dimensions (HxWxD): **5,7 × 27,5 × 49 cm**
- EAN code: **3838942530685**
- Product code: **241617**





5  
YEAR  
GUARANTEE



### GT 640 AB

Gas on tempered glass

60  
← cm →

- Colour: Black
- Bevelled edges

#### Cooking surface

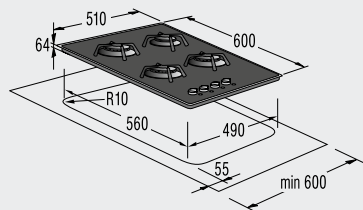
- 1 auxiliary burner, 1 large burner, 2 standard burners
- Left front: Ø 9 cm, 3 kW
- Right front: Ø 5 cm, 1 kW
- Left behind: Ø 6 cm, 1,75 kW
- Right behind: Ø 6 cm, 1,75 kW
- Single-handed ignition

#### Safety and durability

- Flame failure protected burners

#### Technical data

- Connected load: **7,5 kW**
- Product dimensions (HxWxD): **10,5 × 60 × 51 cm**
- Niche dimensions (HxWxD): **6,4 × 56 × 49 cm**
- LPG jets included
- EAN code: **3838942551840**
- Product code: **251214**



5  
YEAR  
GUARANTEE



### GCW 340 AC

Gas wok on tempered glass

30  
← cm →



- Colour: Black
- Chamfered front edge

#### Cooking surface

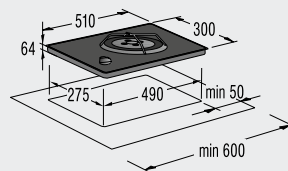
- Triple burner - Wok
- middle front: Ø 14 cm, 4,5 kW
- Single-handed ignition

#### Safety and durability

- Flame failure protected burners

#### Technical data

- Connected load: **4,5 kW**
- Product dimensions (HxWxD): **11,8 × 30 × 51 cm**
- Niche dimensions (HxWxD): **6,4 × 27,5 × 49 cm**
- LPG jets included
- EAN code: **3838942623912**
- Product code: **241656**





**G 760 AX1**  
Gas hob



- Colour: Stainless steel

**Cooking surface**

- 1 auxiliary burner, 2 semi rapid burner, 1 rapid burner, 1 wok triple burner
- Left front: Ø 4,5 cm, 1 kW
- Right front: Ø 6,5 cm, 1,4 kW
- Left behind: Ø 6,5 cm, 1,75 kW
- Right behind: Ø 9 cm, 2,8 kW
- center: Ø 13,1 cm, 3,1 kW
- Single-handed ignition

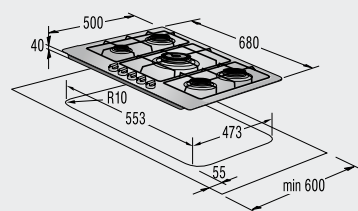
**Safety and durability**

- Flame failure protected burners
- Cast iron pan supported



**Technical data**

- Connected load: **10 kW**
- Product dimensions (HxWxD):  
**4 × 68 × 50 cm**
- Niche dimensions (HxWxD):  
**4 × 55,3 × 47,3 cm**
- LPG jets included
- EAN code: **3838942523908**
- Product code: **246148**



**G 6N50 AX**  
Gas hob



- Colour: Stainless steel

**Cooking surface**

- 4 burners: 2 standard burners, 1 auxiliary burner, 1 triple burner
- Left front: Ø 6,9 cm, 1,9 kW
- Right front: Ø 4,6 cm, 1 kW
- Left behind: Ø 6,9 cm, 1,9 kW
- Right behind: Ø 13,2 cm, 3,5 kW
- Single-handed ignition

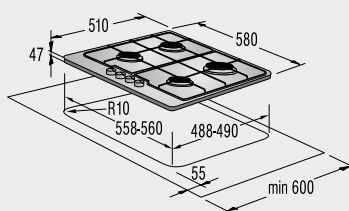
**Safety and durability**

- Flame failure protected burners
- Cast iron pan supported



**Technical data**

- Connected load: **8,3 kW**
- Product dimensions (HxWxD):  
**10,7 × 58 × 51 cm**
- Niche dimensions (HxWxD):  
**4,7 × 56 × 49 cm**
- LPG jets included
- EAN code: **3838942551864**
- Product code: **251220**



While  
stocks last



**G 6N4 AW**  
Gas hob



- Colour: White

#### Cooking surface

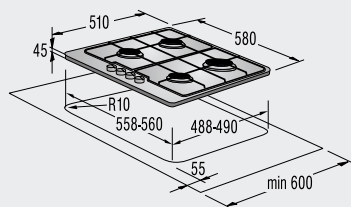
- 1 auxiliary burner, 1 large burner, 2 standard burners
- Left front: Ø 6,9 cm, 1,9 kW
- Right front: Ø 4,6 cm, 1 kW
- Left behind: Ø 6,9 cm, 1,9 kW
- Right behind: Ø 9,4 cm, 3 kW
- Single-handed ignition

#### Safety and durability

- Flame failure protected burners

#### Technical data

- Connected load: **7,8 kW**
- Product dimensions (HxWxD): **10,7 × 58 × 51 cm**
- Niche dimensions (HxWxD): **4,7 × 56 × 49 cm**
- LPG jets included
- EAN code: **3838942636011**
- Product code: **290943**



**G 6N4 AX**  
Gas hob



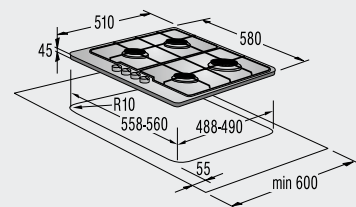
- Colour: Stainless steel

#### Cooking surface

- 1 auxiliary burner, 1 large burner, 2 standard burners
- Left front: Ø 6,9 cm, 1,9 kW
- Right front: Ø 4,6 cm, 1 kW
- Left behind: Ø 6,9 cm, 1,9 kW
- Right behind: Ø 9,4 cm, 3 kW
- Single-handed ignition
- Cast iron pan supported

#### Safety and durability

- Flame failure protected burners



#### Technical data

- Connected load: **7,8 kW**
- Product dimensions (HxWxD): **10,7 × 58 × 51 cm**
- Niche dimensions (HxWxD): **4,7 × 56 × 49 cm**
- LPG jets included
- EAN code: **3838942551871**
- Product code: **251224**



**GM 320 E**  
Gas hob



- Colour: Stainless steel

#### Cooking surface

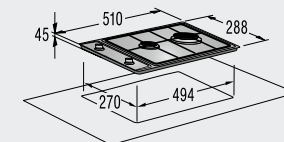
- 1 auxiliary burner, 1 large burner
- front: Ø 7,7 cm, 1 kW,
- behind: Ø 12,9 cm, 3 kW
- Single-handed ignition

#### Safety and durability

- Flame failure protected burners

#### Technical data

- Connected load: **4 kW**
- Product dimensions (HxWxD): **4,5 × 28,8 × 51 cm**
- Niche dimensions (HxWxD): **7 × 26,8 × 49 cm**
- LPG jets included
- EAN code: **3838942223211**
- Product code: **113440**





# HEAVY DUTY CAPACITY IN STYLE

A wide range of cooker hoods of differing capacity, and appearance, are available to provide efficient ventilation of the kitchen including elimination of odours, humidity, and grease particles. The space will define the required capacity; your personal taste will guide the choice of the perfect model for your kitchen.

- High quality materials and innovative design to improve the functionality and enhance the appearance
- Electronic control and nearly fully silent operation
- Sensor technology automatically regulates air cleaning process.
- P.A.S. technology allows direction-controlled air suction along the outer edges of the hood
- Quality metal filters are simple to maintain

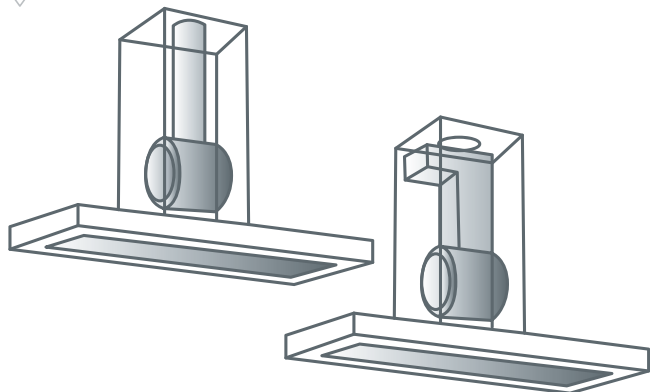
# PERFECTION OF TECHNOLOGY

## Easy-to-clean filters

Metal filters in the Gorenje hoods, which are designed to remove fat particles, can be easily removed and cleaned. You can wash them by hand or in a dishwasher using a 'gentle wash' programme. However, acrylic or paper filters used for the same purpose can be simply replaced with new ones.

## Extraction vs. re-circulation

Dependant upon your requirements you can choose between extraction and re-circulating hoods. Extraction hoods draw in cooking fumes and trap vapours through a filter while expelling odours to the outside through a ventilation duct. Recirculating hoods draw in steam and odour saturated air through a filter, then returns the treated air into the kitchen. For superior performance, a carbon filter (available separately) can also be installed.



**Important:** Please note some models come with European plugs as standard



## Ceiling-mounted hood

Architectural trends of modern kitchens without wall cabinets compel careful choice of the kitchen hood. One of the most elegant solutions is the ceiling-mounted hood which delivers maximum performance of steam and odour extraction. For best results, these hoods should have the motor installed outside the kitchen as this will result in virtually completely silent operation. Although ceiling-mounted hoods are installed farthest from the cooking hob surface, perimeter extraction will provide extra power and airflow speed and thus ultimate performance.



## Downdraft hood

This elegant and efficient solution is particularly suitable for wider cooking hobs in which cooking zones are laid out side by side. The downdraft hood is installed next to the hob to directly extract the steam and the odours during operation. It can be built into a kitchen island or installed on a worktop next to a wall since the position of the motor allows direct extraction outdoors, through the kitchen wall. Optionally, it can also operate in filter version using a simply installed charcoal filter.



**DFGA 9575 BX**  
Down draft cooker hood



90  
← cm →

- Stainless steel and glass
- Venting with air extraction or recirculation

### Efficiency

- Maximum extraction rate by extraction operation: **800 m<sup>3</sup>/h**
- Maximum extraction rate by recirculation operation: **740 m<sup>3</sup>/h**
- Venting tube diameter: **15 cm**

### Control

- Control
- Electronic control
- Control setting: Touch
- Timer function
- Number of speed settings: 4

### Features

- Lamp type: LED
- Number of lights: **3**
- Power of lights: **3 W**
- Airflow boost position: **800 m<sup>3</sup>/h**
- Perimetric suction

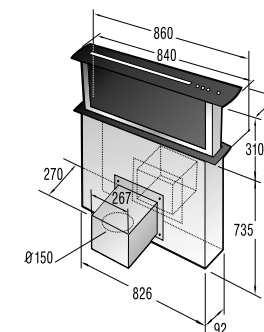
### Accessories

- Filter material: Aluminium
- Grease filter indicator
- No return airflow flap
- Optional accessory: 150 mm
- Coal filter code 395229

### Technical data

- Dimensions of the product (width x depth): **82,6 × 9,2 cm**
- Height: **740 mm**

- EAN code: **3838942787546**
- Product code: **378269**



**DFGA 9575 BX**

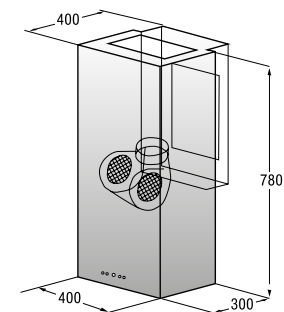
DFGA 9575 BX comes with a European plug as standard.



**DQ 4446 X-UK**  
Wall mounted cooker hood



**IDR 4545 X-UK**  
Ceiling mounted cooker hood



**DQ 4446 X-UK**



- Stainless steel
- Venting with air extraction or recirculation

**Efficiency**

- Maximum extraction rate by extraction operation: **680 m<sup>3</sup>/h**
- Maximum extraction rate by recirculation operation: **610 m<sup>3</sup>/h**
- Venting tube diameter: **15 cm**
- Noise level (max.): **61 dB(A)**

**Control**

- Control type: Electronic control
- Control setting: Touch control
- Number of speed settings: 4

**Features**

- Lamp type: Halogen
- Number of lights: 4
- Power of lights: **80 W**

**Accessories**

- Filter material: Aluminium
- No return airflow flap: 150 mm
- Optional accessory: Coal filter code 269140

**Technical data**

- Dimensions of the product (width x depth): **40 x 30 cm**
- Height: **780 mm**

- EAN code: **3838942776816**
- Product code: **372349**



- Stainless steel
- Construction type: Island hood
- Venting with air extraction or recirculation

**Efficiency**

- Maximum extraction rate by extraction operation: **629 m<sup>3</sup>/h**
- Maximum extraction rate by recirculation operation: **408 m<sup>3</sup>/h**
- Venting tube diameter: **15 cm**
- Noise level (max.): **58 dB(A)**

**Control**

- Control type: Electronic control
- Control setting: Touch control
- Timer function
- Number of speed settings: 4

**Features**

- Lamp type: Halogen
- Number of lights: 4
- Power of lights: **80 W**
- Perimetric suction

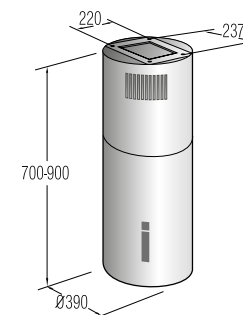
**Accessories**

- Filter material: Aluminium
- Optional accessory: Coal filter code 180178

**Technical data**

- Dimensions of the product (width x depth): **39 x 39 cm**
- Height: **700 mm**
- Min. height of the chimney: **700 mm**
- Max. height of the chimney: **900 mm**

- EAN code: **3838942548437**
- Product code: **255137**



**IDR 4545 X-UK**

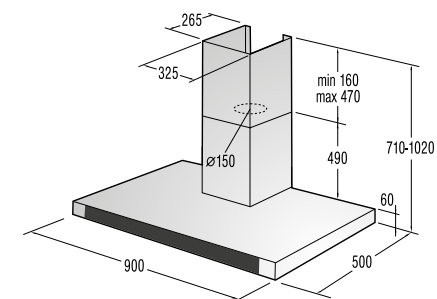




**DT 9545 AX-UK**  
Wall mounted cooker hood



**DVG 9446 HB-UK**  
Wall mounted cooker hood



**DT 9545 AX-UK**

90  
← cm →

- Stainless steel
- Venting with air extraction or recirculation

#### Efficiency

- Maximum extraction rate by extraction operation: **697 m<sup>3</sup>/h**
- Maximum extraction rate by recirculation operation: **687 m<sup>3</sup>/h**
- Venting tube diameter: 15 cm
- Noise level (max.): **57 dB(A)**

#### Control

- Control type: Electronic control
- Control setting: Touch control
- Timer function
- Number of speed settings: 4

#### Features

- Lamp type: Halogen
- Number of lights: 2
- Power of lights: **40 W**

#### Accessories

- Filter material: Aluminium
- No return airflow flap: 150 mm
- Optional accessory: Coal filter code 348334

#### Technical data

- Dimensions of the product (width x depth): **90 × 50 cm**
- Height: **60 mm**
- Min. height of the chimney: **780 mm**
- Max. height of the chimney: **940 mm**

- EAN code: **3838942525872**
- Product code: **246830**

90  
← cm →

- Stainless steel and glass
- Venting with air extraction or recirculation

#### Efficiency

- Maximum extraction rate by extraction operation: **400 m<sup>3</sup>/h**
- Maximum extraction rate by recirculation operation: **320 m<sup>3</sup>/h**
- Venting tube diameter: **15 cm**
- Noise level (max.): **50 dB(A)**

#### Control

- Control type: Electronic control
- Control setting: Button control
- Number of speed settings: 4

#### Features

- Lamp type: LED
- Number of lights: 2
- Power of lights: **6 W**

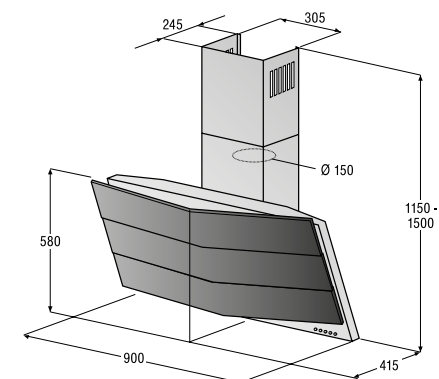
#### Accessories

- Filter material: Aluminium
- No return airflow flap: 150 mm
- Optional accessory: Coal filter code 182183

#### Technical data

- Dimensions of the product (width x depth): **90 × 41,5 cm**
- Height: **580 mm**
- Min. height of the chimney: **1150 mm**
- Max. height of the chimney: **1500 mm**

- EAN code: **3838942776823**
- Product code: **372350**



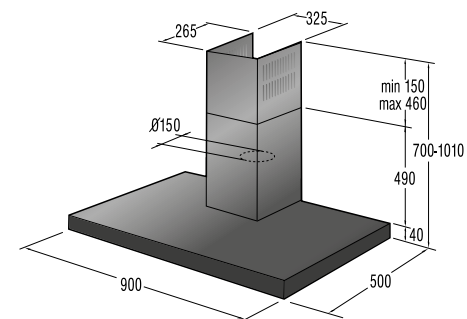
**DVG 9446 HB-UK**



**DTT 9546 B-UK**  
Wall mounted cooker hood



**DTT 6546 B-UK**  
Wall mounted cooker hood



**DTT 9546 B-UK**

90  
← cm →

- Black
- Venting with air extraction or recirculation

**Efficiency**

- Maximum extraction rate by extraction operation: **620 m<sup>3</sup>/h**
- Maximum extraction rate by recirculation operation: **495 m<sup>3</sup>/h**
- Venting tube diameter: **15 cm**
- Noise level (max.): **61 dB(A)**

**Control**

- Control type: Electronic control
- Control setting: Touch control
- Number of speed settings: 4

**Features**

- Lamp type: Halogen
- Number of lights: 2
- Power of lights: **40 W**

**Accessories**

- Filter material: Aluminium
- No return airflow flap: 150 mm
- Optional accessory: Coal filter code 315275

**Technical data**

- Dimensions of the product (width x depth): **90 × 50 cm**
- Height: **355 mm**
- Min. height of the chimney: **700 mm**
- Max. height of the chimney: **1010 mm**

- EAN code: **3838942776847**
- Product code: **372353**

60  
← cm →

- Black
- Venting with air extraction or recirculation

**Efficiency**

- Maximum extraction rate by extraction operation: **620 m<sup>3</sup>/h**
- Maximum extraction rate by recirculation operation: **495 m<sup>3</sup>/h**
- Venting tube diameter: **15 cm**
- Noise level (max.): **61 dB(A)**

**Control**

- Control type: Electronic control
- Control setting: Touch control
- Number of speed settings: 4

**Features**

- Lamp type: Halogen
- Number of lights: 2
- Power of lights: **40 W**

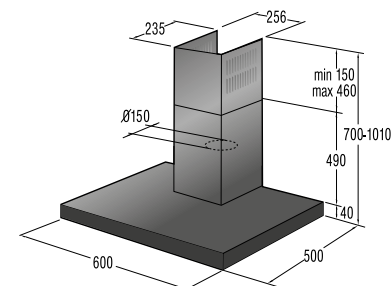
**Accessories**

- Filter material: Aluminium
- No return airflow flap: 150 mm
- Optional accessory: Coal filter code 315275

**Technical data**

- Dimensions of the product (width x depth): **60 × 50 cm**
- Height: **355 mm**
- Min. height of the chimney: **700 mm**
- Max. height of the chimney: **1010 mm**

- EAN code: **3838942776830**
- Product code: **372351**



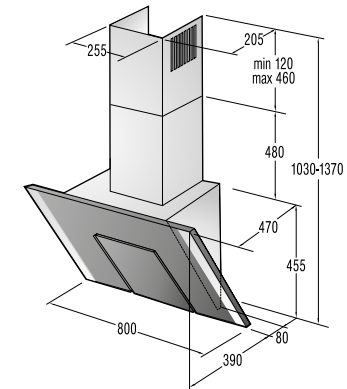
**DTT 6546 B-UK**



**DVG 8545 AX-UK**  
Wall mounted cooker hood



**DVG 6545 AX-UK**  
Wall mounted cooker hood



**DVG 8545 AX-UK**

80  
← cm →

- Stainless steel and glass
- Venting with air extraction or recirculation

#### Efficiency

- Maximum extraction rate by extraction operation: **762 m<sup>3</sup>/h**
- Maximum extraction rate by recirculation operation: **658 m<sup>3</sup>/h**
- Venting tube diameter: **15 cm**
- Noise level (max.): 57 dB(A)

#### Control

- Control type: Electronic control
- Control setting: Touch control
- Timer function
- Number of speed settings: 4

#### Features

- Lamp type: Halogen
- Number of lights: 2
- Power of lights: **37 W**
- Perimetric suction

#### Accessories

- Filter material: Aluminium
- No return airflow flap: 150 mm
- Optional accessory: Coal filter code 180177

#### Technical data

- Dimensions of the product (width x depth): **80 × 46,5 cm**
- Height: **460 mm**
- Min. height of the chimney: **465 mm**
- Max. height of the chimney: **890 mm**

- EAN code: **3838942525858**
- Product code: **246828**

60  
← cm →

- Stainless steel and glass
- Venting with air extraction or recirculation

#### Efficiency

- Maximum extraction rate by extraction operation: **726 m<sup>3</sup>/h**
- Maximum extraction rate by recirculation operation: **571 m<sup>3</sup>/h**
- Venting tube diameter: **15 cm**
- Noise level (max.): **58 dB(A)**

#### Control

- Control type: Electronic control
- Control setting: Touch control
- Timer function
- Number of speed settings: 4

#### Features

- Lamp type: Halogen
- Number of lights: 2
- Power of lights: **40 W**
- Perimetric suction

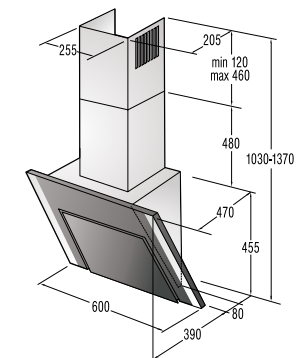
#### Accessories

- Filter material: Aluminium
- No return airflow flap: 150 mm
- Optional accessory: Coal filter code 180177

#### Technical data

- Dimensions of the product (width x depth): **60 × 46,5 cm**
- Height: **460 mm**
- Min. height of the chimney: **465 mm**
- Max. height of the chimney: **890 mm**

- EAN code: **3838942525865**
- Product code: **246829**



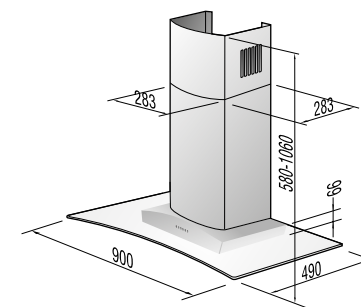
**DVG 6545 AX-UK**



**DKG 9335 E**  
Wall mounted cooker hood



**DKG 6315 X**  
Wall mounted cooker hood



**DKG 9335 E**

90  
← cm →

- Stainless steel and glass
- Venting with air extraction or recirculation

**Efficiency**

- Maximum extraction rate by extraction operation: **422 m<sup>3</sup>/h**
- Maximum extraction rate by recirculation operation: **295 m<sup>3</sup>/h**
- Venting tube diameter: **15 cm**
- Noise level (max.): **57 dB(A)**

**Control**

- Control type: Mechanic control
- Control setting: Button control
- Number of speed settings: 3

**Features**

- Lamp type: Halogen
- Number of lights: 2
- Power of lights: **40 W**

**Accessories**

- Filter material: Aluminium
- No return airflow flap: 150 mm
- Optional accessory: Coal filter code 182192

**Technical data**

- Dimensions of the product (width x depth): **90 × 49 cm**
- Height: **60 mm**
- Min. height of the chimney: **590 mm**
- Max. height of the chimney: **1055 mm**

- EAN code: **3838942407000**
- Product code: **185282**

59,8  
← cm →

- Stainless steel and glass
- Venting with air extraction or recirculation

**Efficiency**

- Maximum extraction rate by extraction operation: **410 m<sup>3</sup>/h**
- Maximum extraction rate by recirculation operation: **190 m<sup>3</sup>/h**
- Venting tube diameter: **14,8 cm**
- Noise level (max.): **64 dB(A)**

**Control**

- Control type: Mechanic control
- Control setting: Button control
- Number of speed settings: 3

**Features**

- Lamp type: Halogen
- Number of lights: 2
- Power of lights: **40 W**

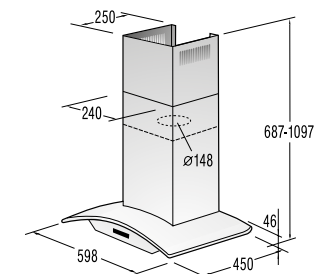
**Accessories**

- Filter material: Aluminium
- No return airflow flap: 148 mm
- Optional accessory: Coal filter code 197465

**Technical data**

- Dimensions of the product (width x depth): **59,8 × 45 cm**
- Height: **46 mm**
- Min. height of the chimney: **687 mm**
- Max. height of the chimney: **1097 mm**

- EAN code: **3838942915048**
- Product code: **416443**



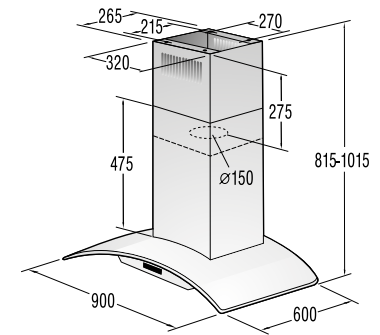
**DKG 6315 X**



**IDKG 9545 X-UK**  
Ceiling mounted island cooker hood



**DK 9335 E**  
Wall mounted cooker hood



**IDKG 9545 X-UK**

90  
← cm →

- Stainless steel and glass
- Venting with air extraction or recirculation

#### Efficiency

- Maximum extraction rate by extraction operation: **679 m<sup>3</sup>/h**
- Maximum extraction rate by recirculation operation: **565 m<sup>3</sup>/h**
- Venting tube diameter: **15 cm**
- Noise level (max.): **58 dB(A)**

#### Control

- Control type: Electronic control
- Control setting: Touch control
- Timer function
- Number of speed settings: 4

#### Features

- Lamp type: Halogen
- Number of lights: 4
- Power of lights: **80 W**

#### Accessories

- Filter material: Aluminium
- No return airflow flap: 150 mm
- Optional accessory: Coal filter code 180178

#### Technical data

- Dimensions of the product (width x depth): **90 × 60 cm**
- Height: **54 mm**
- Min. height of the chimney: **785 mm**
- Max. height of the chimney: **985 mm**

- EAN code: **3838942525889**
- Product code: **246851**

90  
← cm →

- Stainless steel
- Venting with air extraction or recirculation

#### Efficiency

- Maximum extraction rate by extraction operation: **358 m<sup>3</sup>/h**
- Maximum extraction rate by recirculation operation: **316 m<sup>3</sup>/h**
- Venting tube diameter: **15 cm**
- Noise level ( max.): **61 dB(A)**

#### Control

- Control type: Mechanic control
- Control setting: Button control
- Number of speed settings: 3

#### Features

- Lamp type: Regular
- Number of lights: 2
- Power of lights: **80 W**

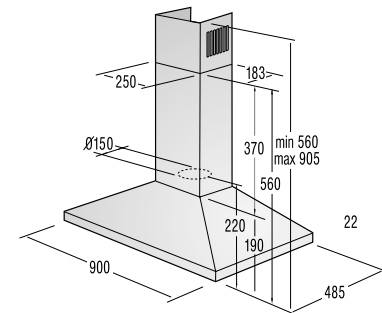
#### Accessories

- Filter material: Aluminium
- No return airflow flap: 150 mm
- Optional accessory: Coal filter code 180180

#### Technical data

- Dimensions of the product (width x depth): **90 × 48,5 cm**
- Height: **190 mm**
- Min. height of the chimney: **370 mm**
- Max. height of the chimney: **715 mm**

- EAN code: **3838942407017**
- Product code: **185281**



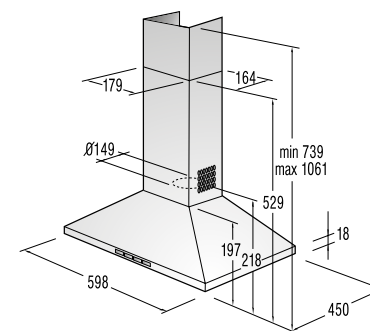
**DK 9335 E**



**DK 6315 X**  
Wall mounted cooker hood



**DF 6315 X**  
Built-in telescopic cooker hood



**DK 6315 X**

59,8  
← cm →

- Stainless steel
- Venting with air extraction or recirculation

**Efficiency**

- Maximum extraction rate by extraction operation: **372 m<sup>3</sup>/h**
- Maximum extraction rate by recirculation operation: **250 m<sup>3</sup>/h**
- Venting tube diameter: 15 cm
- Noise level (max.): **59 dB(A)**

**Control**

- Control type: Mechanic control
- Control setting: Button control
- Number of speed settings: 3

**Features**

- Lamp type: Halogen
- Number of lights: 2
- Power of lights: **56 W**

**Accessories**

- Filter material: Aluminium
- No return airflow flap: 150 mm
- Optional accessory: Coal filter code 295510

**Technical data**

- Dimensions of the product (width x depth): **59,8 × 45 cm**
- Height: **197 mm**
- Min. height of the chimney: **542 mm**
- Max. height of the chimney: **864 mm**
- EAN code: **3838942653766**
- Product code: **299138**

59,8  
← cm →

- Stainless steel/grey
- Venting with air extraction or recirculation

**Efficiency**

- Maximum extraction rate by extraction operation: **250 m<sup>3</sup>/h**
- Maximum extraction rate by recirculation operation: **145 m<sup>3</sup>/h**
- Venting tube diameter: **12 cm**
- Noise level (max.): **56 dB(A)**

**Control**

- Control type: Mechanic control
- Control setting: Button control
- Number of speed settings: 3

**Features**

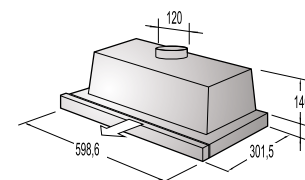
- Lamp type: Halogen
- Number of lights: 2
- Power of lights: **56 W**

**Accessories**

- Filter material: Aluminium

**Technical data**

- Dimensions of the product (width x depth): **59,8 × 32,5 cm**
- Height: **180 mm**
- EAN code: **3838942854897**
- Product code: **406157**



**DF 6315 X**



**DC 9635 X**  
Recessed ceiling hood



90  
← cm →

- Stainless steel
- Venting with air extraction

#### Efficiency

- Maximum extraction rate by extraction operation: **950 m<sup>3</sup>/h**
- Venting tube diameter: **15 cm**
- Noise level (max.): **73 dB(A)**

#### Control

- Control type: Electronic control
- Timer function
- Number of speed settings: 3
- Remote control

#### Features

- Lamp type: Halogen
- Number of lights: 3
- Power of lights: **60 W**
- Airflow boost position: **950 m<sup>3</sup>/h**
- Perimetric suction

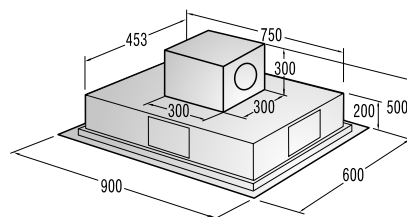
#### Accessories

- Filter material: Aluminium
- Grease filter indicator
- No return airflow flap: 150 mm
- Optional accessory: Coal filter code 181505

#### Technical data

- Dimensions of the product (width x depth): **90 × 60 cm**
- Height: **600 mm**

- EAN code: **3838942703751**
- Product code: **326641**



**DC 9635 X**

## Washing machines

Model name	WA 714 SYB	WA 614 SYW	W 9665 K	W 8644 H
Catalogue page	30	30	53	54
Line	Gorenje Simplicity	Gorenje Simplicity	Advanced Line	Advanced Line
Mode of installation	Freestanding	Freestanding	Freestanding	Freestanding
Loading position	Front	Front	Front	Front
Colour	Black	White	White	White
<b>Efficiency</b>				
Motor	Standard collector motor	Standard collector motor	PowerDrive	Standard collector motor
Special drum construction OptiDrum	•	•	•	•
Spin speed (RPM)	1400 rpm	1400 rpm	1600 rpm	1400 rpm
Load	7 kg	6 kg	9 kg	8 kg
Drum volume	54 l	54 l	64 l	64 l
Drum illumination with LED light	-	-	•	•
Big door	33 cm	33 cm	34 cm	34 cm
Door opening angle	180 °	180 °	180 °	180 °
Energy class	A+	A+	A+++ <sup>(+20%)</sup> - 50 % less energy consumption as A energy class	A+++ <sup>(+10%)</sup> - 40% less energy consumption as A energy class
Spining performance	A	A	A	A
Total annual water consumption	11063 l	10670 l	11470 l	11280 l
Energy consumption kWh/year	206 kWh	197 kWh	174 kWh	169 kWh
Sound protection	SuperSilent+	SuperSilent+	SuperSilent+	Super Silent
Detergent dispenser	3 compartment detergent dispenser	3 compartment detergent dispenser	3 compartment detergent dispenser	3 compartment detergent dispenser
<b>Control</b>				
Type of display	LED display	LED display	Electronic unit with LCD	Electronic unit with LCD
StartDelay setting	Presseting time delay of start	Presseting time delay of start	Presseting time delay of start	Presseting time delay of start
Preset washing EndTime	-	-	•	•
<b>Programmes</b>				
Number of programmes	15	15	23	23
Programmes	Cotton, Synthetics, Delicate and silk, Wool, Hand wash	Cotton, Synthetics, Delicate and silk, Wool, Hand wash	Cotton, Synthetics, Wool, Hand wash, Quick programme	Cotton, Synthetics, Wool, Hand wash, Quick programme
<b>Special programmes</b>				
Special programmes	Easy ironing / Quick programme / Eco programme - 30°C	Easy ironing / Quick programme / Eco programme - 30°C	Quick programme / Quick programme / Eco program - 30°C	Quick programme / Quick programme / Eco program - 30°C
BioWash	-	-	•	•
NightWash	-	-	•	•
MyFavorite	-	-	•	•
Sport	-	-	•	•
UltraWhite	-	-	-	-
PerfectBlack	-	-	-	-
Eco program - 30°C	•	•	•	•
Spinning	•	•	•	•
Rinse	•	•	•	•
Softening	•	•	•	•
Extra rinsing	-	-	•	•

Model name	WA 714 SYB	WA 614 SYW	W 9665 K	W 8644 H
Catalogue page	30	30	53	54
<b>Functions / Operating</b>				
Prewash	•	•	•	•
Self cleaning program SterilTub	•	•	•	•
Rinse hold	Rinse hold	Rinse hold	Pump STOP	Pump STOP
Temperature setting	•	•	•	•
Spin speed	Adjustable spin speed	Adjustable spin speed	Adjustable spin speed	Adjustable spin speed
Audio signal SoftSound	-	-	•	•
High watter level	•	•	•	•
<b>SensorIQ technology</b>				
Intensive soaking QuickWet	-	-	Intensive soaking QuickWet	Intensive soaking QuickWet
4-D soaking	-	-	•	•
Automatic water level control	•	•	•	•
Door lock	Time-attendance door lock	Time-attendance door lock	Time-attendance door lock	Time-attendance door lock
Ability to create own programs	-	-	•	•
Detergent Saving System DSS	•	•	•	•
<b>Safety and durability</b>				
Housing	Zync coated and painted housing	Zync coated and painted housing	Zync coated and painted housing	Zync coated and painted housing
AquaStop	Partial AquaStop	Partial AquaStop	Partial AquaStop	Partial AquaStop
Overflow protection	•	•	•	•
Child protection (CDP)	-	•	•	•
Drum	Stainlesssteel drum	Stainless steel drum	Stainlesssteel drum	Stainlesssteel drum
Tub material	Carbotech	Carbotech	FiberTech	FiberTech
Service diagnostic indicator	•	•	•	•
<b>Technical data</b>				
Water remaining after spin	44 %	44 %	44 %	44 %
Washing cycle duration at 60°C - Cotton	164 min	164 min	195 min	195 min
Voltage (V)	230 V	230 V	230 V	230 V
Nominal current of fuse	10 A+	10 A+	10 A+	10 A+
Connected load	2000 W	2000 W	2300 W	2300 W
Water connection	Cold water connection	Cold water connection	Cold water connection	Cold water connection
Noise level washing	60 dB(A)re 1 pW	60 dB(A)re 1 pW	60 dB(A)re 1 pW	58 dB(A)re 1 pW
Product dimensions (HxWxD)	85 × 60 × 60 cm	85 × 60 × 60 cm	85 × 60 × 60 cm	85 × 60 × 60 cm
Dimensions of packed product (HxWxD)	92 × 64 × 68,5 cm	92 × 64 × 68,5 cm	92 × 64 × 68,5 cm	92 × 64 × 68,5 cm
Weight (gross/net)	76 / 74 kg	76 / 74 kg	79,5 / 77,5 kg	82,5 / 80,5 kg
EAN code	3838942855832	3838942610639	3838942915529	3838942915512



## Washing machines

Model name	W 8444	W 7443 L	W 7543 LR	W 6222
Catalogue page	54	54	55	55
Line	Essential Line	Essential Line	Essential Line	Primary Line
Mode of installation	Freestanding	Freestanding	Freestanding	Freestanding
Loading position	Front	Front	Front	Front
Colour	White	White	Fire red	White
<b>Efficiency</b>				
Motor	Standard collector motor	Standard collector motor	Standard collector motor	Standard collector motor
Special drum construction OptiDrum	•	•	•	•
Spin speed (RPM)	1400 rpm	1400 rpm	1400 rpm	1200 rpm
Load	8 kg	7 kg	7 kg	6 kg
Drum volume	64 l	54 l	54 l	54 l
Drum illumination with LED light	-	-	-	-
Big door	34 cm	34 cm	34 cm	34 cm
Door opening angle	180 °	180 °	180 °	180 °
Energy class	A+++ <sup>(+10%)</sup> - 40% less energy consumption as A energy class	A+++	A+++	A++
Spining performance	A	A	A	B
Total annual water consumption	11280 l	9960 l	9960 l	10250 l
Energy consumption kWh/year	169 kWh	169 kWh	169 kWh	167 kWh
Sound protection	SuperSilent+	Super Silent	Super Silent	SuperSilent+
Detergent dispenser	3 compartment detergent dispenser	3 compartment detergent dispenser	3 compartment detergent dispenser	3 compartment detergent dispenser
<b>Control</b>				
Type of display	LED display	LED display	LED display	
StartDelay setting	Presseting time delay of start	Presseting time delay of start	Presseting time delay of start	
Preset washing EndTime	-	-	-	-
<b>Programmes</b>				
Number of programmes	23	23	23	18
Programmes	Cotton, Synthetics, Wool program, Hand wash, Quick programme	Cotton, Synthetics, Wool program, Hand wash, Quick programme	Cotton, Synthetics, Wool program, Hand wash, Quick programme	Cotton, Synthetics, Wool program, Hand wash, Quick programme
<b>Special programmes</b>				
Special programmes	Quick programme / Quick program / Eco program - 30°C	Quick programme / Quick program / Eco program - 30°C	Quick programme / Quick program / Eco program - 30°C	Quick programme / Quick program / Eco program - 30°C
BioWash	•	•	•	-
NightWash	•	•	•	-
MyFavorite	•	•	•	-
Sport	•	•	•	-
UltraWhite	-	-	-	•
PerfectBlack	-	-	-	•
Eco program - 30°C	•	•	•	•
Spinning	•	•	•	•
Rinse	•	•	•	•
Softening	•	•	•	•
Extra rinsing	•	•	•	•

Model name	W 8444	W 7443 L	W 7543 LR	W 6222
Catalogue page	54	54	55	55
<b>Functions / Operating</b>				
Prewash	•	•	•	•
Self cleaning program SterilTub	•	•	•	•
Rinse hold	Pump STOP	Pump STOP	Pump STOP	Pump STOP
Temperature setting	•	Temperature setting	Temperature setting	Temperature setting
Spin speed	Adjustable spin speed	Adjustable spin speed	Adjustable spin speed	Adjustable spin speed
Audio signal SoftSound	•	•	•	-
High watter level	•	•	•	•
<b>SensorIQ technology</b>				
Intensive soaking QuickWet	•			
4-D soaking	•	-	-	-
Automatic water level control	•	•	•	•
Door lock	Time-attendance door lock	Time-attendance door lock	Time-attendance door lock	Time-attendance door lock
Ability to create own programs	•	•	•	-
Detergent Saving System DSS	•	•	•	•
<b>Safety and durability</b>				
Housing	Zync coated and painted housing	Zync coated and painted housing	Zync coated and painted housing	Zync coated and painted housing
AquaStop		Partial AquaStop	Partial AquaStop	
Overflow protection	•	Overflow protection	Overflow protection	Overflow protection
Child protection (CDP)	•	•	•	•
Drum	Stainlesssteel drum	Stainlesssteel drum	Stainlesssteel drum	Stainlesssteel drum
Tub material	FiberTech	Carbotech	Carbotech	Carbotech
Service diagnostic indicator	•	•	•	•
<b>Technical data</b>				
Water remaining after spin	44 %	44 %	44 %	53 %
Washing cycle duration at 60°C - Cotton	195 min	195 min	195 min	195 min
Voltage (V)	230 V	230 V	230 V	230 V
Nominal current of fuse	10 A+	10 A+	10 A+	10 A+
Connected load	2300 W	2300 W	2300 W	2300 W
Water connection	Cold water connection	Cold water connection	Cold water connection	Cold water connection
Noise level washing	60 dB(A)re 1 pW	58 dB(A)re 1 pW	58 dB(A)re 1 pW	59 dB(A)re 1 pW
Product dimensions (HxWxD)	85 × 60 × 60 cm	85 × 60 × 60 cm	85 × 60 × 60 cm	85 × 60 × 60 cm
Dimensions of packed product (HxWxD)	92 × 64 × 68,5 cm	92 × 64 × 68,5 cm	92 × 64 × 68,5 cm	92 × 64 × 68,5 cm
Weight (gross/net)	81,5 / 79,5 kg	77 / 75 kg	77 / 75 kg	74 / 72 kg
EAN code	3838942915000	3838942915017	3838942911705	3838942915505

## Integrated washing machine & washer dryer

Model name	WDI 63113	WI 73110
Catalogue page	57	57
Mode of installation	Integrated	Integrated
Loading position	Front	Front
Colour	White	White
<b>Efficiency</b>		
Motor	Standard collector motor	Standard collector motor
Spin speed (RPM)	1100 rpm	1100 rpm
Load	6 kg (Washing), 4 kg (drying)	7 kg
Drum volume	48 l	48 l
Big door	32 cm	32 cm
Door opening angle	160 °	160 °
Energy class	B	A++
Washing performance	A	A
Electricity consumption kWh/cycle	wash only 1,14 kWh/ washing & drying 4,85 kWh	1,02 kWh
Water consumption	49 l	49 l
Spining performance	C	C
Total annual water consumption	9800 l	12760 l
Energy consumption kWh/year	970 kWh	197 kWh
Detergent dispenser	4-compartment dispenser	3 compartment detergent dispenser
<b>Control</b>		
Type of display	Electronic unit with LCD	Electronic unit with LCD
StartDelay setting	Pressetting time delay of start	Pressetting time delay of start
Preset washing EndTime	-	•
<b>Programmes</b>		
Number of programmes	15 programmes	15 programmes
Programmes	Cotton, Synthetics, Delicate and silk, Wool, Hand wash	Prewash, Cotton, Synthetics, Delicate and silk, Wool, Hand wash
<b>Special programmes</b>		
Easy ironing	•	•
Cold wash	•	•
Spinning	•	•
Rinse	•	•
Softening	•	•
Extra rinsing	•	•

Model name	WDI 63113	WI 73110
Catalogue page	57	57
<b>Functions / Operating</b>		
Prewash	•	•
Rinse hold	Pump STOP	Rinse hold
Temperature setting	•	•
Spin speed	Adjustable spin speed	Adjustable spin speed
Automatic water level control	•	•
Door lock	Time-attendance door lock	Electronic
Detergent Saving System DSS	-	•
<b>Safety and durability</b>		
Housing	Zync coated and painted housing	Zync coated and painted housing
Overflow protection	Overflow protection	Overflow protection
Child protection (CDP)	•	•
Stability Control (SCS)	-	•
Drum	Stainlesssteel drum	Stainlesssteel drum
Tub material	Carbotech	Carbotech
Service diagnostic indicator	-	•
<b>Technical data</b>		
Water remaining after spin		62 %
Washing cycle duration at 60°C - Cotton	91 min	130 min
Voltage (V)	220-240 V	220-240 V
Nominal current of fuse	10 A+	10 A+
Connected load	2300 W	2300 W
Water connection	Cold & hot water	Cold water connection
Noise level washing	60 dB(A)re 1 pW	53 dB(A)re 1 pW
Product dimensions (HxWxD)	82 × 59 × 55 cm	82 × 59 × 54 cm
Niche dimensions (HxWxD)	83 × 60 × 57,5 cm	83 × 60 × 57,5 cm
Dimensions of packed product (HxWxD)	88 × 65 × 60 cm	88,5 × 66 × 58,5 cm
Weight (gross/net)	74 / 72 kg	78 / 73 kg
EAN code	3838942370168	3838942739859

## Freestanding dryers

Model name	D 7 SYB	D 6 SYW	D 9664 E	D 744 BJ	D 754 BJR
Catalogue page	31	31	62	63	63
Line	Gorenje Simplicity	Gorenje Simplicity	Advanced Line	Essential Line	Essential Line
Loading position	Front	Front	Front	Front	Front
Colour	Black	White	White	White	Fire red
<b>Efficiency</b>					
Type of dryer	Condensing	Condensing	Condensing	Condensing	Condensing
IonTech	-	-	*	-	-
TwinAir	-	-	*	-	-
Heat pump	-	-	*	-	-
Load	7 kg	6 kg	9 kg	7 kg	7 kg
Drum volume	117 l	117 l	120 l	117 l	117 l
Drum illumination with LED light	*	*	*	*	*
Big door	34 cm	34 cm	35 cm	35 cm	35 cm
Door opening angle	180 °	180 °	180 °	180 °	180 °
Energy class	B	B	A+	B	B
Direct discharge of condensate AutoDrain	-	*	*	*	-
Basket for drying	-	-	*	-	-
FiltrationSupreme	*	*	*	*	*
<b>Control</b>					
Type of display	LED indicator	LED indicator	Electronic unit with LCD	LED display	LED display
StartDelay setting	*	*	*	*	*
<b>Programmes</b>					
SteamTech	-	-	*	-	-
Number of programmes	12	12	27	15	15
Cotton	5 levels	5 levels	4 levels	4 levels	4 levels
Synthetics	3 levels	3 levels	2 levels	2 levels	2 levels
Wool	-	-	*	*	*
Delicates	-	-	*	*	*
Mix	*	*	*	*	*
Reversible drum action	*	*	*	*	*
Drying time selection	Step setting	Step setting			
<b>Functions / Operating</b>					
Lower drying temperature: 40°C-60°C	*	*	*	*	*
Audio signal SoftSound	-	-	*	*	*
<b>SensorIQ technology</b>					
Humidity sensor	*	*	*	*	*
<b>Safety and durability</b>					
Protective thermostat	*	*	*	*	*
Automatic switch off when door is open	*	*	*	*	*
Child protection (CDP)	-	-	*	*	*
Condensation water container full	*	*	*	*	*
Drum	Stainless steel drum	Stainless steel drum	Stainless steel drum	Stainless steel drum	Stainless steel drum
Service diagnostic indicator	*	*	*	*	*
Vacuum feet	*	*	*	*	*
<b>Technical data</b>					
Voltage (V)	230 V	230 V	230 V	230 V	230 V
Nominal current of fuse	16 A+	16 A+	10 A+	16 A+	16 A+
Connected load	2500 W	2500 W	2300 W	2500 W	2500 W
Level of noise (max.)	65 dB(A)	65 dB(A)	65 dB(A)	65 dB(A)	65 dB(A)
Dimensions of the product (W×H×D)	60 × 85 × 62 cm	60 × 85 × 62 cm	60 × 85 × 60 cm	60 × 85 × 60 cm	60 × 85 × 60 cm
Dimensions of packed product (W×H×D)	64 × 91,5 × 68,5 cm	64 × 91,5 × 68,5 cm	64 × 91,5 × 68,5 cm	64 × 91,5 × 68,5 cm	64 × 91,5 × 68,5 cm
Weight (gross/net)	40 / 38 kg	40 / 38 kg	54 / 52 kg	40 / 38 kg	40 / 38 kg
EAN code	3838942855825	3838942614934	3838942914645	3838942914676	3838942909412

## Integrated and freestanding dishwashers

Model name	GS 62214 W	GV 63214 UK	GV 62110	GV 51214
Catalogue page	67	68	68	69
Mode of installation	Freestanding	Integrated	Integrated	Integrated
Colour	White	White	White	White
Basket colour	Grey	Grey	White	Grey
<b>Efficiency</b>				
Standard place settings	12	14	12	9
Energy class	A+	A+	A	A+
Wash performance	A	A	A	A
Dry performance	A	A	A	A
<b>Control</b>				
Selected programme	•	•	•	•
<b>Programmes</b>				
Number of programs	7	6	5	6
Washing temperature	40 °C	40 °C	70 °C	40 °C
Normal	•	•	-	•
Intensive	•	•	•	•
Sensitive programme	•	•	•	•
Programme for glass	-	-	•	-
Eco programme	•	-	•	•
Quick intensive programme	-	-	-	•
Rinsing program	•	•	•	-
Soaking	•	•	•	-
Reference programme	4	3	1	3
<b>Features</b>				
Function 3 in 1	•	•	-	•
Selected programme	•	•	•	•
Visual signal for the end of washing cycle	•	•	-	•
Salt refill indicator	•	•	•	•
Rinse aid indicator	•	•	•	•
<b>UseLogic technology</b>				
Start delay	Start delay 2/4/6/8	Variable start delay up to 24 hours	Variable start delay up to 24 hours	Variable start delay up to 3/6/9 hours
<b>Equipment</b>				
Number of baskets	2	3	2	2
Height adjustable top basket	•	•	•	•
Multifunctional lower basket	•	•	•	•
Number of sprinkle hands	2	3	2	2
Number of water jet levels	4	5		4
Selfcleaning filter	•	•	•	•
<b>Safety systems</b>				
Overflow protection	Total Aquastop	Total Aquastop	Partial aquastop	Total Aquastop
Service diagnostics	•	•	•	•
Hidden heater	•	•	•	•
Tub material	Stainless steel tub	Stainless steel tub	Stainless steel tub	Stainless steel tub

Model name	GS 62214 W	GV 63214 UK	GV 62110	GV 51214
Catalogue page	67	68	68	69
<b>Technical data</b>				
Voltage (V)	230 V	230 V	220 V	230 V
Nominal current of fuse	10 A+	10 A+	10 A+	10 A+
Connected load	1760 W	1760 W	1760 W	1760 W
Cord length	1,5 m	1,5 m	1,5 m	1,5 m
Length inlet hose	1700 mm	1700 mm	1500 mm	1700 mm
Length outlet hose	1500 mm	1500 mm	1500 mm	1500 mm
Height setting	60 mm	60 mm	50 mm	60 mm
Height	850 mm	818 mm	820 mm	815 mm
Height to worktop	810 mm	810 mm	820 mm	815 mm
Depth (incl. wall spacing)		1190 mm		
Depth with door open	1190 mm	81,8 × 59,8 × 57 cm	1135 mm	1190 mm
Product dimensions (HxWxD)	85 × 60 × 58 cm	82 × 60 × 57 cm	82 × 59,5 × 54 cm	81,5 × 44,8 × 55 cm
Niche dimensions (HxWxD)	-	88,9 × 63 × 63,5 cm	82 × 60 × 57 cm	82 × 45 × 58 cm
Dimensions of packed product (HxWxD)	88,9 × 62,3 × 63,5 cm	41 / 36 kg	88,5 × 63,5 × 62 cm	88,9 × 48,5 × 63,5 cm
Weight (gross/net)	41 / 36 kg	46 / 41 kg	42 / 36 kg	37 / 32 kg
<b>Consumption data (IEC standard EN 50242)</b>				
Water consumption	12 l	12 l	16 l	9 l
Energy consumption - normal program	1,02 kWh	1,04 kWh	1,05 kWh	0,77 kWh
Duration of normal wash cycle	170 min	170 min	140 min	165 min
Energy consumption kWh/year	291 kWh	299 kWh	320 kWh	220 kWh
Estimated annual water consumption	3360 l	3500 l	4760 l	2520 l
Level of noise (max.)	52 dB(A)	49 dB(A)	55 dB(A)	49 dB(A)
EAN code	3838942911118	3838942937699	3838942532832	3838942800283

## Freestanding fridges and freezers

Model name	NRK ORA-W	NRK ORA-E	NRK 68 SYB	NRK 68 SYW	NRK 6181 CB	NRK 6181 CW	NRK 6181 CX	RK 61821 RD	RK 61810 W
Catalogue page	16	16	32	32	77	77	77	78	78
Line	Gorenje Ora-Īto White	Gorenje Ora-Īto	Gorenje Simplicity	Gorenje Simplicity	Level 1	Level 1	Level 1		
Product type	Fridge&freezer	Fridge&freezer	Fridge&freezer	Fridge&freezer	Fridge&freezer	Fridge&freezer	Fridge&freezer	Fridge&freezer	Fridge&freezer
Mode of installation	Freestanding	Freestanding	Freestanding	Freestanding	Freestanding	Freestanding	Freestanding	Freestanding	Freestanding
Colour	White	Black	Black	White	Black	White	Metallic grey brown	Fire red	White
Worktop									
Number of doors	2	2	2	2	2	2	2	2	2
Door opening	Right	Right	Reversible door opening	Reversible door opening	Reversible door opening	Reversible door opening	Reversible door opening	Reversible door opening	Reversible door opening
Star rating	***	**	***	**	***	**	***	**	***
Width x height	54 x 179,5 cm	54 x 179,5 cm	60 x 180 cm	60 x 180 cm	60 x 180 cm	60 x 180 cm	60 x 180 cm	60 x 180 cm	60 x 180 cm
<b>Efficiency</b>									
Energy class	A+	A+	A+	A+	A+	A+	A+	A+	A+
Number of compressors	1 compressor	1 compressor	1 compressor	1 compressor	1 compressor	1 compressor	1 compressor	1 compressor	1 compressor
Total gross/net volume	278 / 260 l	278 / 260 l	328 / 305 l	328 / 305 l	328 / 305 l	328 / 305 l	328 / 305 l	342 / 322 l	342 / 322 l
Capacity of cooling compartment: gross/net	203 / 200 l	203 / 200 l	231 / 230 l	231 / 230 l	231 / 230 l	231 / 230 l	231 / 230 l	231 / 230 l	231 / 230 l
Capacity of freezer compartment: gross/net	75 / 60 l	75 / 60 l	97 / 75 l	97 / 75 l	97 / 75 l	97 / 75 l	97 / 75 l	111 / 92 l	111 / 92 l
Freezing capacity in 24 hours	7,5 kg	7,5 kg	4 kg	4 kg	4 kg	4 kg	4 kg	4 kg	4 kg
Power cut safe time	13 h	13 h	18 h	18 h	18 h	18 h	18 h	18 h	21 h
<b>Control</b>									
Control type	Electronic control SensoTech	Electronic control SensoTech	Electronic control SensoTech	Electronic control SensoTech	Electronic control SensoTech	Electronic control SensoTech	Electronic control SensoTech	Mechanic control	Mechanic control
Defrosting	Frost free in the whole freezer department	Frost free in the whole freezer department	Frost free in the whole freezer department	Frost free in the whole freezer department	Frost free in the whole freezer department	Frost free in the whole freezer department	Frost free in the whole freezer department	Manual controled defrost freezer	Manual controled defrost freezer
Temperature indicator for refrigerator	Digital temperature indicator for refrigerator	Digital temperature indicator for refrigerator							
<b>Features</b>									
Cooling fan	•	•	-	-	-	-	-	-	-
Quick cooling	•	•	-	-	-	-	-	-	-
Fast freezing with auto shut-down	•	•	•	•	•	•	•	•	•
Saving	-	-	•	•	•	•	•	•	•
Fast freeze switch	-	-	-	-	-	-	-	-	-
<b>Refrigerator equipment</b>									
Interior light in refrigerator	•	•	•	•	•	•	•	•	•
Glass shelves	4 glass shelves	4 glass shelves	4 glass shelves	4 glass shelves	4 glass shelves	4 glass shelves	4 glass shelves	4 glass shelves	4 glass shelves
Number of removable shelves	2	2	2	2	3	3	3	2	3
Divisible glass shelves	1	1							
Bottle holder	Bottle holder	Bottle holder	Bottle holder	Bottle holder	Bottle holder	Bottle holder	Bottle holder	Bottle holder	Bottle holder
Vegetables drawer	Large crisper pan for vegetables and fruit	Large crisper pan for vegetables and fruit	2 vegetable drawers	2 vegetable drawers	2 vegetable drawers	2 vegetable drawers	2 vegetable drawers	2 vegetable drawers	2 vegetable drawers
Egg bin	1	1	1	1	1	1	1	1	1
Number of door shelves	3 door shelves	3 door shelves	3 door shelves	3 door shelves	3 door shelves	3 door shelves	3 door shelves	3 door shelves	3 door shelves
Dairy shelf	Dairy shelf	Dairy shelf							
FreshZone drawer	•	•	•	•	-	-	-	•	-
<b>Freezer equipment</b>									
Storage compartments with door for frozen food									
Drawers for fast freezing	1	1	1	1	1	1	1	1	1
Number of storage drawers	3	3	3	3	3	3	3	3	3
Ice tray	1 ice tray	1 ice tray			1 ice tray	1 ice tray	1 ice tray	1 ice tray	1 ice tray
Number of cool boxes									
<b>Safety systems</b>									
Sound signal for functional error	•	•	-	-	-	-	-	-	-
Door opened indicator	•	•	-	-	-	-	-	-	-
Temperature of the coolant too high					red signal	red signal	red signal		
<b>Technical data</b>									
Energy consumption kWh/24h	0,762 kWh	0,762 kWh	0,799 kWh	0,799 kWh	0,799 kWh	0,799 kWh	0,799 kWh	0,8 kWh	0,8 kWh
Energy consumption kWh/year	278 kWh	278 kWh	292 kWh	292 kWh	292 kWh	292 kWh	292 kWh	292 kWh	292 kWh
Voltage (V)	220-230 V	220-230 V	220-230 V	220-230 V	230 V	230 V	230 V	230 V	230 V
Nominal current of fuse	10 A+	10 A+	13 A+	13 A+	13 A+	13 A+	13 A+	13 A+	13 A+
Connected load	100 W	100 W	100 W	100 W	100 W	100 W	100 W	120 W	120 W
Level of noise (max.)	42 dB(A)	42 dB(A)	41 dB(A)	41 dB(A)	41 dB(A)	41 dB(A)	41 dB(A)	40 dB(A)	40 dB(A)
Product dimensions (HxWxD)	179,5 x 54 x 54,5 cm	179,5 x 54 x 54,5 cm	180 x 60 x 64 cm	180 x 60 x 64 cm	180 x 60 x 64 cm	180 x 60 x 64 cm	180 x 60 x 64 cm	180 x 60 x 64 cm	180 x 60 x 64 cm
Dimensions of packed product (HxWxD)	186 x 60 x 69 cm	186 x 60 x 69 cm	187 x 64 x 73 cm	187 x 64 x 73 cm	187 x 64 x 73 cm	187 x 64 x 73 cm	187 x 64 x 73 cm	187 x 64 x 73 cm	187 x 64 x 73 cm
Depth with door open	1067 mm	1067 mm	1155 mm	1155 mm	1155 mm	1155 mm	1155 mm	1155 mm	1155 mm
Weight (gross/net)	83,5 / 77,5 kg	83,7 / 77,7 kg	72,1 / 69,1 kg	72,1 / 69,1 kg	72,1 / 69,1 kg	72,1 / 69,1 kg	72,1 / 69,1 kg	72,4 / 69,4 kg	72,4 / 69,4 kg
EAN code	3838942521591	3838942466328	3838942854842	3838942899683	3838942898358	3838942898662	3838942898341	3838942298901	3838942896712

## Freestanding fridges and freezers

Model name	R 6181 AX	R 6181 AW	R 6151 BW	R 6091 AW	F 6181 AW	FN 6181 CW	FN 6181 CX	F 6151 AW	F 6091 AW
Catalogue page	78	79	79	79	80	80	80	81	81
Line									
Product type	Refrigerator	Refrigerator	Refrigerator	Refrigerator	Upright freezer	Upright freezer	Upright freezer	Upright freezer	Upright freezer
Mode of installation	Freestanding	Freestanding	Freestanding	Freestanding	Freestanding	Freestanding	Freestanding	Freestanding	Freestanding
Colour	Metallic grey brown	White	White	White	White	White	Metallic grey brown	White	White
Worktop				Worktop					Worktop with control
Number of doors	1	1	1	1	1	1	1	1	1
Door opening	Reversible door opening	Reversible door opening	Reversible door opening	Reversible door opening	Reversible door opening	Reversible door opening	Reversible door opening	Reversible door opening	Reversible door opening
Star rating					***	**	***	**	***
Width x height	60 x 180 cm	60 x 180 cm	60 x 145 cm	60 x 85 cm	60 x 180 cm	60 x 180 cm	60 x 180 cm	60 x 145 cm	60 x 85 cm
<b>Efficiency</b>									
Energy class	A+	A+	A+	A+	A+	A+	A+	A+	A+
Number of compressors	1 compressor	1 compressor	1 compressor	1 compressor	1 compressor	1 compressor	1 compressor	1 compressor	1 compressor
Total gross/net volume	390 / 388 l	390 / 388 l	305 / 302 l	157 / 156 l	309 / 270 l	231 / 217 l	231 / 217 l	230 / 206 l	99 / 83 l
Capacity of cooling compartment: gross/net	390 / 388 l	390 / 388 l	305 / 302 l	157 / 156 l					
Capacity of freezer compartment: gross/net					309 / 270 l	231 / 217 l	231 / 217 l	230 / 206 l	99 / 83 l
Freezing capacity in 24 hours					25 kg	18 kg	18 kg	18 kg	8 kg
Power cut safe time					28 h	15 h	15 h	21 h	17 h
<b>Control</b>									
Control type	Mechanic control	Mechanic control	Mechanic control	Mechanic control	Mechanic control	Electronic control SensoTech	Electronic control SensoTech	Mechanic control	Mechanic control
Defrosting					Manual controled defrost freezer	Frost free in the whole freezer department	Frost free in the whole freezer department	Manual controled defrost freezer	Manual controled defrost freezer
Temperature indicator for refrigerator									
<b>Features</b>									
Cooling fan	-	-	•	-	-	•	•	-	-
Quick cooling	-	-	•	-	-	-	-	-	-
Fast freezing with auto shut-down	-	-	-	-	-	•	•	-	-
Saving	-	-	-	-	-	•	•	-	-
Fast freeze switch	-	-	-	-	-	-	-	-	•
<b>Refrigerator equipment</b>									
Interior light in refrigerator	•	•	•	•					
Glass shelves	6 glass shelves	6 glass shelves	5 glass shelves	4 glass shelves					
Number of removable shelves	5	5	4	3					
Divisible glass shelves									
Bottle holder	Bottle holder	Bottle holder	Bottle holder						
Vegetables drawer	Large crisper pan for vegetables and fruit	Large crisper pan for vegetables and fruit	Large crisper pan for vegetables and fruit	Large crisper pan for vegetables and fruit					
Egg bin	1	1	1	1					
Number of door shelves	5 door shelves	5 door shelves	4 door shelves	2 door shelves					
Dairy shelf				Dairy shelf					
FreshZone drawer	-	-	-	-					
<b>Freezer equipment</b>									
Storage compartments with door for frozen food					2	1	1	1	
Drawers for fast freezing						1	1		
Number of storage drawers	0	0	0	0	6	6	6	5	3
Ice tray					1 ice tray	1 ice tray	1 ice tray	1 ice tray	
Number of cool boxes					2				
<b>Safety systems</b>									
Sound signal for functional error	-	-	-	-	-	•	•	-	-
Door opened indicator	-	-	-	-	-	-	-	-	-
Temperature of the coolant too high									
<b>Technical data</b>									
Energy consumption kWh/24h	0,425 kWh	0,425 kWh	0,397 kWh	0,342 kWh	0,83 kWh	0,814 kWh	0,814 kWh	0,723 kWh	0,517 kWh
Energy consumption kWh/year	155 kWh	155 kWh	145 kWh	125 kWh	303 kWh	297 kWh	297 kWh	264 kWh	189 kWh
Voltage (V)	230 V	230 V	230 V	230 V	230 V	230 V	230 V	230 V	230 V
Nominal current of fuse	13 A+	13 A+	13 A+	13 A+	13 A+	13 A+	13 A+	13 A+	13 A+
Connected load	80 W	80 W	90 W	60 W	120 W	100 W	100 W	110 W	80 W
Level of noise (max.)	38 dB(A)	38 dB(A)	42 dB(A)	39 dB(A)	42 dB(A)	42 dB(A)	42 dB(A)	40 dB(A)	39 dB(A)
Product dimensions (HxWxD)	180 x 60 x 64 cm	180 x 60 x 64 cm	145 x 60 x 64 cm	85 x 60 x 60 cm	180 x 60 x 64 cm	180 x 60 x 64 cm	180 x 60 x 64 cm	145 x 60 x 64 cm	85 x 60 x 60 cm
Dimensions of packed product (HxWxD)	187 x 64 x 73 cm	187 x 64 x 73 cm	151 x 64 x 73 cm	91 x 64 x 68 cm	187 x 64 x 73 cm	187 x 64 x 73 cm	187 x 64 x 73 cm	151 x 64 x 73 cm	91 x 64 x 68 cm
Depth with door open	1155 mm	1155 mm	1155 mm	1170 mm	1155 mm	1155 mm	1155 mm	1155 mm	1170 mm
Weight (gross/net)	82 / 79 kg	82 / 79 kg	53 / 50 kg	41 / 39 kg	80 / 77 kg	80 / 77 kg	80 / 77 kg	59 / 56 kg	40 / 38 kg
EAN code	3838942898648	3838942898655	3838942898686	3838942896736	3838942896101	3838942898327	3838942898334	3838942898679	3838942896729

## Retro collection

Model name	RB 60299 OC	RB 60299 OC-L	RB 60299 OBK	RB 60299 OBK-L	RB 60299 OR	RB 60299 OR-L	RB 60299 OGR	RB 60299 OO	RB 60299 OP
Catalogue page	42	42	42	42	43	43	43	43	43
Line	Gorenje Retro Collection	Gorenje Retro Collection	Gorenje Retro Collection	Gorenje Retro Collection	Gorenje Retro Collection	Gorenje Retro Collection	Gorenje Retro Collection	Gorenje Retro Collection	Gorenje Retro Collection
Product type	Refrigerator	Refrigerator	Refrigerator	Refrigerator	Refrigerator	Refrigerator	Refrigerator	Refrigerator	Refrigerator
Mode of installation	Freestanding	Freestanding	Freestanding	Freestanding	Freestanding	Freestanding	Freestanding	Freestanding	Freestanding
Colour	Cream	Cream	Black	Black	Burgundy	Burgundy	Lime green	Juicy orange	Raspberry pink
Number of doors	1	1	1	1	1	1	1	1	1
Door opening	Right	Left	Right	Left	Right	Left	Right	Right	Right
Door hinge									
Star rating	***	***	***	***	***	***	***	***	***
Width x height	60 x 154 cm	60 x 154 cm	60 x 154 cm	60 x 154 cm	60 x 154 cm	60 x 154 cm	60 x 154 cm	60 x 154 cm	60 x 154 cm
<b>Efficiency</b>									
Energy class	A++	A++	A++	A++	A++	A++	A++	A++	A++
Number of compressors	1 compressor	1 compressor	1 compressor	1 compressor	1 compressor	1 compressor	1 compressor	1 compressor	1 compressor
Total gross/net volume	288 / 281 l	288 / 281 l	288 / 281 l	288 / 281 l	288 / 281 l	288 / 281 l	288 / 281 l	288 / 281 l	288 / 281 l
Capacity of cooling compartment: gross/net	262 / 255 l	262 / 255 l	262 / 255 l	262 / 255 l	262 / 255 l	262 / 255 l	262 / 255 l	262 / 255 l	262 / 255 l
Capacity of freezer compartment: gross/net	26 / 26 l	26 / 26 l	26 / 26 l	26 / 26 l	26 / 26 l	26 / 26 l	26 / 26 l	26 / 26 l	26 / 26 l
Freezing capacity in 24 hours	2 kg	2 kg	2 kg	2 kg	2 kg	2 kg	2 kg	2 kg	2 kg
Power cut safe time	18 h	18 h	18 h	18 h	18 h	18 h	18 h	18 h	18 h
<b>Control</b>									
Control type	Mechanic control	Mechanic control	Mechanic control	Mechanic control	Mechanic control	Mechanic control	Mechanic control	Mechanic control	Mechanic control
Defrosting									
<b>Features</b>									
Cooling fan	•	•	•	•	•	•	•	•	•
Quick cooling	•	•	•	•	•	•	•	•	•
Fast freeze switch	-	-	-	-	-	-	-	-	-
<b>Refrigerator equipment</b>									
Interior light in refrigerator	•	•	•	•	•	•	•	•	•
Glass shelves	4 glass shelves	4 glass shelves	4 glass shelves	4 glass shelves	4 glass shelves	4 glass shelves	4 glass shelves	4 glass shelves	4 glass shelves
Number of removable shelves	3	3	3	3	3	3	3	3	3
Bottle holder	Bottle holder	Bottle holder	Bottle holder	Bottle holder	Bottle holder	Bottle holder	Bottle holder	Bottle holder	Bottle holder
Vegetables drawer	Large crisper pan for vegetables and fruit	Large crisper pan for vegetables and fruit	Large crisper pan for vegetables and fruit	Large crisper pan for vegetables and fruit	Large crisper pan for vegetables and fruit	Large crisper pan for vegetables and fruit	Large crisper pan for vegetables and fruit	Large crisper pan for vegetables and fruit	Large crisper pan for vegetables and fruit
Egg bin	1	1	1	1	1	1	1	1	1
Number of door shelves	3 door shelves	3 door shelves	2 door shelves	2 door shelves	2 door shelves	2 door shelves	2 door shelves	2 door shelves	2 door shelves
Dairy shelf	Dairy shelf	Dairy shelf	Dairy shelf	Dairy shelf	Dairy shelf	Dairy shelf	Dairy shelf	Dairy shelf	Dairy shelf
<b>Freezer equipment</b>									
Storage compartments with door for frozen food	1	1	1	1	1	1	1	1	1
Drawers for fast freezing									
Number of storage drawers	0	0	0	0	0	0	0	0	0
Ice tray	1 ice tray	1 ice tray	1 ice tray	1 ice tray	1 ice tray	1 ice tray	1 ice tray	1 ice tray	1 ice tray
<b>Technical data</b>									
Energy consumption kWh/24h	0,536 kWh	0,536 kWh	0,536 kWh	0,536 kWh	0,536 kWh	0,536 kWh	0,536 kWh	0,536 kWh	0,536 kWh
Energy consumption kWh/year	196 kWh	196 kWh	196 kWh	196 kWh	196 kWh	196 kWh	196 kWh	196 kWh	196 kWh
Voltage (V)	230 V	230 V	230 V	220-230 V	230 V	220-230 V	230 V	230 V	230 V
Nominal current of fuse	13 A+	13 A+	13 A+	13 A+	13 A+	13 A+	13 A+	13 A+	13 A+
Connected load	90 W	90 W	90 W	90 W	90 W	90 W	90 W	90 W	90 W
Level of noise (max.)	42 dB(A)	42 dB(A)	42 dB(A)	42 dB(A)	42 dB(A)	42 dB(A)	42 dB(A)	42 dB(A)	42 dB(A)
Product dimensions (HxWxD)	154 x 60 x 64 cm	154 x 60 x 64 cm	154 x 60 x 64 cm	154 x 60 x 64 cm	154 x 60 x 64 cm	154 x 60 x 64 cm	154 x 60 x 64 cm	154 x 60 x 64 cm	154 x 60 x 64 cm
Dimensions of packed product (HxWxD)	160 x 64 x 73 cm	160 x 64 x 73 cm	160 x 64 x 73 cm	160 x 64 x 73 cm	160 x 64 x 73 cm	160 x 64 x 73 cm	160 x 64 x 73 cm	160 x 64 x 73 cm	160 x 64 x 73 cm
Depth with door open	1155 mm	1155 mm	1155 mm	1155 mm	1155 mm	1155 mm	1155 mm	1155 mm	1155 mm
Weight (gross/net)	55 / 52 kg	55 / 52 kg	55 / 52 kg	55 / 52 kg	55 / 52 kg	55 / 52 kg	55 / 52 kg	55 / 52 kg	55 / 52 kg
EAN code	3838942897078	3838942898693	3838942897054	3838942934810	3838942897061	3838942934827	3838942896675	3838942896651	3838942896668

## Retro collection

Model name	RB 60299 ORD	RB 60299 ORD-L	RB 60299 OW	RF 60309 OC	RF 60309 OC-L	RF 60309 OBK	RF 60309 OBK-L	RF 60309 OR	RF 60309 OR-L	RF 60309 OCH
Catalogue page	43	43	43	44	44	44	44	45	45	45
Line	Gorenje Retro Collection	Gorenje Retro Collection	Gorenje Retro Collection	Gorenje Retro Collection	Gorenje Retro Collection	Gorenje Retro Collection	Gorenje Retro Collection	Gorenje Retro Collection	Gorenje Retro Collection	Gorenje Retro Collection
Product type	Refrigerator	Refrigerator	Refrigerator	Fridge&Freezer - top mount	Fridge&Freezer - top mount	Fridge&Freezer - top mount	Fridge&Freezer - top mount	Fridge&Freezer - top mount	Fridge&Freezer - top mount	Fridge&Freezer - top mount
Mode of installation	Freestanding	Freestanding	Freestanding	Freestanding	Freestanding	Freestanding	Freestanding	Freestanding	Freestanding	Freestanding
Colour	Fire red	Fire red	White	Cream	Cream	Black	Black	Burgundy	Burgundy	Chocolate
Number of doors	1	1	1	2	2	2	2	2	2	2
Door opening	Right	Left	Right	Right	Left	Right	Left	Right	Left	Right
Door hinge				Self closing hinge	Self closing hinge	Self closing hinge	Self closing hinge	Self closing hinge	Self closing hinge	Self closing hinge
Star rating	***	**	**	**	**	**	**	**	**	**
Width x height	60 x 154 cm	60 x 154 cm	60 x 154 cm	60 x 173,7 cm	60 x 173,7 cm	60 x 173,7 cm	60 x 173,7 cm	60 x 173,7 cm	60 x 173,7 cm	60 x 173,7 cm
<b>Efficiency</b>										
Energy class	A++	A++	A++	A++	A++	A++	A++	A++	A++	A++
Number of compressors	1 compressor	1 compressor	1 compressor	1 compressor	1 compressor	1 compressor	1 compressor	1 compressor	1 compressor	1 compressor
Total gross/net volume	288 / 281 l	288 / 281 l	288 / 281 l	296 / 294 l	296 / 294 l	296 / 294 l	296 / 294 l	296 / 294 l	296 / 294 l	296 / 294 l
Capacity of cooling compartment: gross/net	262 / 255 l	262 / 255 l	262 / 255 l	231 / 229 l	231 / 229 l	231 / 229 l	231 / 229 l	231 / 229 l	231 / 229 l	231 / 229 l
Capacity of freezer compartment: gross/net	26 / 26 l	26 / 26 l	26 / 26 l	65 / 65 l	65 / 65 l	65 / 65 l	65 / 65 l	65 / 65 l	65 / 65 l	65 / 65 l
Freezing capacity in 24 hours	2 kg	2 kg	2 kg	4,5 kg	4,5 kg	4,5 kg	4,5 kg	4,5 kg	4,5 kg	4,5 kg
Power cut safe time	18 h	18 h	18 h	22 h	22 h	22 h	22 h	22 h	22 h	22 h
<b>Control</b>										
Control type	Mechanic control	Mechanic control	Mechanic control	Mechanic control	Mechanic control	Mechanic control	Mechanic control	Mechanic control	Mechanic control	Mechanic control
Defrosting				Manual defrost	Manual defrost	Manual defrost	Manual defrost	Manual defrost	Manual defrost	Manual defrost
<b>Features</b>										
Cooling fan	•	•	•	•	•	•	•	•	•	•
Quick cooling	•	•	•	•	•	•	•	•	•	•
Fast freeze switch	-	-	-	•	•	•	•	•	•	•
<b>Refrigerator equipment</b>										
Interior light in refrigerator	•	•	•	•	•	•	•	•	•	•
Glass shelves	4 glass shelves	4 glass shelves	4 glass shelves	4 glass shelves	4 glass shelves	4 glass shelves	4 glass shelves	4 glass shelves	4 glass shelves	4 glass shelves
Number of removable shelves	3	3	3	2	2	2	2	3	2	3
Bottle holder	Bottle holder	Bottle holder	Bottle holder	Bottle holder	Bottle holder	Bottle holder	Bottle holder	Bottle holder	Bottle holder	Bottle holder
Vegetables drawer	Large crisper pan for vegetables and fruit	Large crisper pan for vegetables and fruit	Large crisper pan for vegetables and fruit	Large crisper pan for vegetables and fruit	Large crisper pan for vegetables and fruit	Large crisper pan for vegetables and fruit	Large crisper pan for vegetables and fruit	Large crisper pan for vegetables and fruit	Large crisper pan for vegetables and fruit	Large crisper pan for vegetables and fruit
Egg bin	1	1	1	1	1	1	1	1	1	1
Number of door shelves	3 door shelves	3 door shelves	3 door shelves	2 door shelves	2 door shelves	2 door shelves	2 door shelves	2 door shelves	2 door shelves	2 door shelves
Dairy shelf	Dairy shelf	Dairy shelf	Dairy shelf	Dairy shelf	Dairy shelf	Dairy shelf	Dairy shelf	Dairy shelf	Dairy shelf	Dairy shelf
<b>Freezer equipment</b>										
Storage compartments with door for frozen food	1	1	1	1	1	1	1	1	1	1
Drawers for fast freezing										
Number of storage drawers	0	0	0	0	0	0	0	0	0	0
Ice tray	1 ice tray	1 ice tray	1 ice tray	1 ice tray	1 ice tray	1 ice tray	1 ice tray	1 ice tray	1 ice tray	1 ice tray
<b>Technical data</b>										
Energy consumption kWh/24h	0,536 kWh	0,536 kWh	0,536 kWh	0,583 kWh	0,583 kWh	0,583 kWh	0,583 kWh	0,583 kWh	0,583 kWh	0,583 kWh
Energy consumption kWh/year	196 kWh	196 kWh	196 kWh	213 kWh	213 kWh	213 kWh	213 kWh	213 kWh	213 kWh	213 kWh
Voltage (V)	230 V	230 V	230 V	230 V	230 V	230 V	230 V	230 V	230 V	220-230 V
Nominal current of fuse	13 A+	13 A+	13 A+	13 A+	13 A+	13 A+	13 A+	13 A+	13 A+	10 A+
Connected load	90 W	90 W	90 W	100 W	100 W	100 W	100 W	100 W	100 W	100 W
Level of noise (max.)	42 dB(A)	42 dB(A)	42 dB(A)	39 dB(A)	38 dB(A)	38 dB(A)	38 dB(A)	38 dB(A)	38 dB(A)	38 dB(A)
Product dimensions (HxWxD)	154 x 60 x 64 cm	154 x 60 x 64 cm	154 x 60 x 64 cm	173,7 x 60 x 64 cm	173,7 x 60 x 64 cm	173,7 x 60 x 64 cm	173,7 x 60 x 64 cm	173,7 x 60 x 64 cm	173,7 x 60 x 64 cm	173,7 x 60 x 64 cm
Dimensions of packed product (HxWxD)	160 x 64 x 73 cm	160 x 64 x 73 cm	160 x 64 x 73 cm	181 x 64 x 73 cm	181 x 64 x 73 cm	181 x 64 x 73 cm	181 x 64 x 73 cm	181 x 64 x 73 cm	181 x 64 x 73 cm	181 x 64 x 73 cm
Depth with door open	1155 mm	1155 mm	1155 mm	1155 mm	1155 mm	1155 mm	1155 mm	1155 mm	1155 mm	1155 mm
Weight (gross/net)	55 / 52 kg	55 / 52 kg	55 / 52 kg	72 / 69 kg	72 / 69 kg	72 / 69 kg	72 / 69 kg	72 / 69 kg	72 / 69 kg	72 / 69 kg
EAN code	3838942896644	3838942897344	3838942896637	3838942899386	3838942899716	3838942899379	3838942934858	3838942899256	3838942934865	3838942899522



Retro collection

Model name	RF 60309 OCO	RK 60359 OC	RK 60359 OC-L	RK 60359 OBK	RK 60359 OBK-L	RK 60359 OR	RK 60359 OR-L	RK 60359 OCH	RK 60359 OCO
Catalogue page	45	46	46	46	46	47	47	47	47
Line	Gorenje Retro Collection	Gorenje Retro Collection	Gorenje Retro Collection	Gorenje Retro Collection	Gorenje Retro Collection	Gorenje Retro Collection	Gorenje Retro Collection	Gorenje Retro Collection	Gorenje Retro Collection
Product type	Fridge&Freezer - top mount	Fridge&freezer	Fridge&freezer	Fridge&freezer	Fridge&freezer	Fridge&freezer	Fridge&freezer	Fridge&freezer	Fridge&freezer
Mode of installation	Freestanding	Freestanding	Freestanding	Freestanding	Freestanding	Freestanding	Freestanding	Freestanding	Freestanding
Colour	Royal coffee	Cream	Cream	Black	Black	Burgundy	Burgundy	Chocolate	Royal coffee
Number of doors	2	2	2	2	2	2	2	2	2
Door opening	Right	Right	Left	Right	Left	Right	Left	Right	Right
Door hinge	Self closing hinge	Self closing door hinge	Self closing door hinge	Self closing door hinge	Self closing door hinge	Self closing door hinge	Self closing door hinge	Self closing door hinge	Self closing door hinge
Star rating	***	**	***	**	***	**	***	**	***
Width x height	60 x 173,7 cm	60 x 188,7 cm	60 x 188,7 cm	60 x 188,7 cm	60 x 188,7 cm	60 x 188,7 cm	60 x 188,7 cm	60 x 188,7 cm	60 x 188,7 cm
<b>Efficiency</b>									
Energy class	A++	A++	A++	A++	A++	A++	A++	A++	A++
Number of compressors	1 compressor	1 compressor	1 compressor	1 compressor	1 compressor	1 compressor	1 compressor	1 compressor	1 compressor
Total gross/net volume	296 / 294 l	342 / 321 l	342 / 321 l	342 / 321 l	342 / 321 l	342 / 321 l	342 / 321 l	342 / 321 l	342 / 321 l
Capacity of cooling compartment: gross/net	231 / 229 l	231 / 229 l	231 / 229 l	231 / 229 l	231 / 229 l	231 / 229 l	231 / 229 l	231 / 229 l	231 / 229 l
Capacity of freezer compartment: gross/net	65 / 65 l	111 / 92 l	111 / 92 l	111 / 92 l	111 / 92 l	111 / 92 l	111 / 92 l	111 / 92 l	111 / 92 l
Freezing capacity in 24 hours	4,5 kg	4 kg	4 kg	4 kg	4 kg	4 kg	4 kg	4 kg	4 kg
Power cut safe time	22 h	21 h	21 h	21 h	21 h	21 h	21 h	21 h	21 h
<b>Control</b>									
Control type	Mechanic control	Mechanic control	Mechanic control	Mechanic control	Mechanic control	Mechanic control	Mechanic control	Mechanic control	Mechanic control
Defrosting	Manual defrost	Manual controled defrost freezer	Manual controled defrost freezer	Manual controled defrost freezer	Manual controled defrost freezer	Manual controled defrost freezer	Manual controled defrost freezer	Manual controled defrost freezer	Manual controled defrost freezer
<b>Features</b>									
Cooling fan	•	•	•	•	•	•	•	•	•
Quick cooling	•	•	•	•	•	•	•	•	•
Fast freeze switch	•	-	-	-	-	-	-	-	-
<b>Refrigerator equipment</b>									
Interior light in refrigerator	•	•	•	•	•	•	•	•	•
Glass shelves	4 glass shelves	4 glass shelves	4 glass shelves	4 glass shelves	4 glass shelves	4 glass shelves	4 glass shelves	4 glass shelves	4 glass shelves
Number of removable shelves	3	3	3	3	3	3	3	3	3
Bottle holder	Bottle holder	Bottle holder	Bottle holder	Bottle holder	Bottle holder	Bottle holder	Bottle holder	Bottle holder	Bottle holder
Vegetables drawer	Large crisper pan for vegetables and fruit	Large crisper pan for vegetables and fruit	Large crisper pan for vegetables and fruit	Large crisper pan for vegetables and fruit	Large crisper pan for vegetables and fruit	Large crisper pan for vegetables and fruit	Large crisper pan for vegetables and fruit	Large crisper pan for vegetables and fruit	Large crisper pan for vegetables and fruit
Egg bin	1	1	1	1	1	1	1	1	1
Number of door shelves	2 door shelves	2 door shelves	2 door shelves	2 door shelves	2 door shelves	2 door shelves	2 door shelves	2 door shelves	2 door shelves
Dairy shelf	Dairy shelf	Dairy shelf	Dairy shelf	Dairy shelf	Dairy shelf	Dairy shelf	Dairy shelf	Dairy shelf	Dairy shelf
<b>Freezer equipment</b>									
Storage compartments with door for frozen food	1								
Drawers for fast freezing		1	1	1	1	1	1	1	1
Number of storage drawers	0	2	2	2	2	2	2	2	2
Ice tray	1 ice tray	1 ice tray	1 ice tray	1 ice tray	1 ice tray	1 ice tray	1 ice tray	1 ice tray	1 ice tray
<b>Technical data</b>									
Energy consumption kWh/24h	0,583 kWh	0,628 kWh	0,628 kWh	0,628 kWh	0,628 kWh	0,628 kWh	0,628 kWh	0,628 kWh	0,628 kWh
Energy consumption kWh/year	213 kWh	229 kWh	229 kWh	229 kWh	229 kWh	229 kWh	229 kWh	229 kWh	229 kWh
Voltage (V)	220-230 V	230 V	230 V	230 V	230 V	230 V	230 V	230 V	230 V
Nominal current of fuse	10 A+	13 A+	13 A+	13 A+	13 A+	13 A+	13 A+	13 A+	13 A+
Connected load	100 W	120 W	120 W	120 W	120 W	120 W	120 W	120 W	120 W
Level of noise (max.)	38 dB(A)	41 dB(A)	41 dB(A)	41 dB(A)	41 dB(A)	41 dB(A)	41 dB(A)	41 dB(A)	41 dB(A)
Product dimensions (HxWxD)	173,7 x 60 x 64 cm	188,7 x 60 x 64 cm	188,7 x 60 x 64 cm	188,7 x 60 x 64 cm	188,7 x 60 x 64 cm	188,7 x 60 x 64 cm	188,7 x 60 x 64 cm	188,7 x 60 x 64 cm	188,7 x 60 x 64 cm
Dimensions of packed product (HxWxD)	181 x 64 x 73 cm	196 x 64 x 73 cm	196 x 64 x 73 cm	196 x 64 x 73 cm	196 x 64 x 73 cm	196 x 64 x 73 cm	196 x 64 x 73 cm	196 x 64 x 73 cm	196 x 64 x 73 cm
Depth with door open	1155 mm	1155 mm	1155 mm	1155 mm	1155 mm	1155 mm	1155 mm	1155 mm	1155 mm
Weight (gross/net)	72 / 69 kg	80 / 77 kg	80 / 77 kg	80 / 77 kg	80 / 77 kg	80 / 77 kg	80 / 77 kg	80 / 77 kg	80 / 77 kg
EAN code	3838942899515	3838942899362	3838942898709	3838942899355	3838942934834	3838942899225	3838942934841	3838942899560	3838942899607

## Integrated fridges and freezers

Model name	NRKI ORA-W	NRKI-ORA	NRKI 4181 CW	NRCI 4181 CW	RI 4181 AW	RCI 4181 AWW	RKI 4181 AWW
Catalogue page	17	17	82	82	83	83	84
Line	Gorenje Ora-Ito White	Gorenje Ora-Ito					
Product type	Fridge&freezer	Fridge&freezer	Fridge&freezer	Fridge&freezer	Refrigerator	Fridge&freezer	Fridge&freezer
Mode of installation	Built-in integrated	Built-in integrated	Built-in integrated	Built-in integrated	Built-in integrated	Built-in integrated	Built-in integrated
Colour	2	2	White	White	White	White	White
Number of doors	Right door opening	Right door opening	2	2	1	2	2
Door opening	Door to door	Door to door	Reversible door opening	Reversible door opening	Reversible door opening	Reversible door opening	Reversible door opening
Door hinge	Sliding door hinge	Sliding door hinge	Sliding door hinge	Sliding door hinge	Sliding door hinge	Sliding door hinge	Sliding door hinge
Star rating	***	***	***	***	***	***	***
Width x height	54 x 177,5 cm	54 x 177,5 cm	54 x 177,5 cm	54 x 177,5 cm	54 x 177,5 cm	54 x 177,5 cm	54 x 176,6 cm
<b>Efficiency</b>							
Energy class	A+	A+	A+	A+	A+	A+	A+
Number of compressors	1 compressor	1 compressor	1 compressor	1 compressor	1 compressor	1 compressor	1 compressor
Total gross/net volume	278 / 262 l	278 / 262 l	278 / 262 l	267 / 250 l	327 / 326 l	258 / 242 l	254 / 238 l
Capacity of cooling compartment: gross/net	203 / 200 l	203 / 200 l	203 / 200 l	163 / 162 l	327 / 326 l	177 / 173 l	142 / 140 l
Capacity of freezer compartment: gross/net	75 / 62 l	75 / 62 l	75 / 60 l	104 / 88 l		81 / 69 l	112 / 98 l
Freezing capacity in 24 hours	7,5 kg	7,5 kg	3 kg	4 kg		9 kg	4,5 kg
Power cut safe time	13 h	13 h	13 h	12 h		14 h	15 h
<b>Control</b>							
Control type	Electronic control SensoTech	Electronic control SensoTech	Electronic control SensoTech	Electronic control SensoTech	Mechanic control	Mechanic control	Mechanic control
Defrosting	Frost free in the whole freezer department	Frost free in the whole freezer department	Frost free in the whole freezer department	Frost free in the whole freezer department		Manual controlled defrost freezer	Manual controlled defrost freezer
<b>Features</b>							
Fast freezing with auto shut-down	•	•	•	•	-	-	-
Saving	-	-	•	•	-	-	-
Cooling fan	•	•	-	-	-	•	•
Quick cooling	•	•	-	-	-	•	•
Fast freeze switch	-	-	-	-	-	•	•
<b>Refrigerator equipment</b>							
Interior light in refrigerator	•	•	•	•	•	•	•
Glass shelves	4 glass shelves	4 glass shelves	5 glass shelves	4 glass shelves	7 glass shelves	4 glass shelves	3 glass shelves
Number of removable shelves	4	4	4	3	6	3	2
Divisible glass shelves	1	1	2	1	2		
Bottle holder	Bottle holder	Bottle holder	Bottle holder		Bottle holder	Bottle holder	Bottle holder
MoistControl for vegetable drawer	-	-	-	-	•	-	-
Vegetables drawer	Large crisper pan for vegetables and fruit	Large crisper pan for vegetables and fruit	2 vegetable drawers	2 vegetable drawers	2 vegetable drawers	2 vegetable drawers	2 vegetable drawers
Egg bin	1	1	1	1		2	1
Number of door shelves	3 door shelves	3 door shelves	3 door shelves	2 door shelves	6 door shelves	4 door shelves	4 door shelves
Dairy shelf	Dairy shelf	Dairy shelf	Dairy shelf	Dairy shelf		2 dairy shelves	2 dairy shelves
<b>Freezer equipment</b>							
Storage compartments with door for frozen food			1	1			1
Drawers for fast freezing	1	1				1	
Number of storage drawers	2	2	2	3	0	2	3
Ice tray	1 ice tray	1 ice tray	1 ice tray	1 ice tray			
<b>Safety systems</b>							
Sound signal for functional error	•	•	-	-	-	-	-
<b>Technical data</b>							
Energy consumption kWh/24h	0,848 kWh	0,848 kWh	0,804 kWh	0,844 kWh	0,415 kWh	0,76 kWh	0,798 kWh
Energy consumption kWh/year	310 kWh	310 kWh	293 kWh	308 kWh	151 kWh	277 kWh	291 kWh
Voltage (V)	230 V	230 V	230 V	230 V	230 V	230 V	230 V
Nominal current of fuse	13 A+	13 A+	13 A+	13 A+	13 A+	13 A+	13 A+
Connected load	100 W	100 W	100 W	110 W	90 W	90 W	110 W
Niche dimensions min-max (HxWxD)	177,5-178 x 56-57 x 56 cm	177,5-178 x 56-57 x 56 cm	177,5-178 x 56-57 x 56 cm	177,5-178 x 56-57 x 56 cm	177,5-178 x 56-57 x 56 cm	177,5-178 x 56-57 x 55 cm	177,5-178 x 56-57 x 55 cm
Level of noise (max.)	42 dB(A)	42 dB(A)	42 dB(A)	42 dB(A)	40 dB(A)	40 dB(A)	40 dB(A)
Product dimensions (HxWxD)	177,5 x 54 x 54,5 cm	177,5 x 54 x 54,5 cm	177,5 x 54 x 54,5 cm	177,5 x 54 x 54,5 cm	177,5 x 54 x 54,5 cm	177,5 x 54 x 54,5 cm	176,6 x 54 x 54,5 cm
Dimensions of packed product (HxWxD)	183,5 x 58,5 x 65 cm	183,5 x 58,5 x 65 cm	183,5 x 58,5 x 65 cm	183,5 x 58,5 x 65 cm	183,5 x 58,5 x 65 cm	183,5 x 58,5 x 65 cm	183,5 x 58,5 x 65 cm
Depth (incl. wall spacing)	56 cm	56 cm	56 cm	56 cm	56 cm	55 cm	55 cm
Depth with door open	1067 mm	1067 mm	1067 mm	1067 mm	1067 mm	1067 mm	1067 mm
Weight (gross/net)	68,6 / 66,1 kg	68,6 / 66,1 kg	68,5 / 66 kg	71,5 / 69 kg	55,5 / 53 kg	60,5 / 58 kg	64,5 / 62 kg
EAN code	3838942729157	3838942469992	3838942922503	3838942818028	3838942816963	3838942815980	3838942815973

## Integrated fridges and freezers

Model name	RI 4121 AW	RI 4091 AW	RBI 4121 AW	RIU 6091 AW	RBIU 6091 AW	FI 4091 AW	FIU 6091 AW
Catalogue page	84	85	85	86	86	87	87
Line							
Product type	Refrigerator	Refrigerator	Refrigerator	Refrigerator	Refrigerator	Upright freezer	Upright freezer
Mode of installation	Built-in integrated	Built-in integrated	Built-in integrated	built-under integrated	built-under integrated	Built-in integrated	built-under integrated
Colour	White	White	White	White	White	White	White
Number of doors	1	1	1	1	1	1	1
Door opening	Reversible door opening	Reversible door opening	Reversible door opening	Reversible door opening	Reversible door opening	Reversible door opening	Reversible door opening
Door hinge	Sliding door hinge	Sliding door hinge	Sliding door hinge	Door to door	Door to door	Sliding door hinge	Door to door
Star rating			***		***	***	***
Width x height	54 x 122,5 cm	54 x 87,5 cm	54 x 122,5 cm	59,6 x 82 cm	59,6 x 82 cm	54 x 87,5 cm	59,6 x 82 cm
<b>Efficiency</b>							
Energy class	A+	A+	A+	A+	A+	A+	A+
Number of compressors	1 compressor	1 compressor	1 compressor	1 compressor	1 compressor	1 compressor	1 compressor
Total gross/net volume	214 / 213 l	146 / 145 l	205 / 202 l	144 / 143 l	130 / 126 l	103 / 86 l	96 / 86 l
Capacity of cooling compartment: gross/net	214 / 213 l	146 / 145 l	188 / 185 l	144 / 143 l	109 / 105 l		
Capacity of freezer compartment: gross/net			17 / 17 l		21 / 21 l	103 / 86 l	96 / 86 l
Freezing capacity in 24 hours			2 kg		2 kg	13 kg	8 kg
Power cut safe time			12 h		12 h	15 h	17 h
<b>Control</b>							
Control type	Mechanic control	Mechanic control	Mechanic control	Mechanic control	Mechanic control	Mechanic control	Mechanic control
Defrosting			Manual defrost		Manual defrost	Manual controlled defrost freezer	Manual controlled defrost freezer
<b>Features</b>							
Fast freezing with auto shut-down	-	-	-	-	-	-	-
Saving	-	-	-	-	-	-	-
Cooling fan	-	-	-	-	-	-	-
Quick cooling	-	-	-	-	-	-	-
Fast freeze switch	-	-	•	-	-	•	•
<b>Refrigerator equipment</b>							
Interior light in refrigerator	•	•	•	•	•		
Glass shelves	5 glass shelves	4 glass shelves	4 glass shelves	3 removable glass shelves	2 glass shelves		
Number of removable shelves	4	3	3	3	2		
Divisible glass shelves							
Bottle holder							
MoistControl for vegetable drawer	-	-	-	-	-		
Vegetables drawer	Large crisper pan for vegetables and fruit	Large crisper pan for vegetables and fruit	Large crisper pan for vegetables and fruit	Large crisper pan for vegetables and fruit	Large crisper pan for vegetables and fruit		
Egg bin	2	2	2	1	1		
Number of door shelves	4 door shelves	3 door shelves	4 door shelves	2 door shelves	2 door shelves		
Dairy shelf	Dairy shelf	Dairy shelf	Dairy shelf	Dairy shelf	Dairy shelf		
<b>Freezer equipment</b>							
Storage compartments with door for frozen food			1		1		
Drawers for fast freezing						1	1
Number of storage drawers	0	0	0	0	0	3	2
Ice tray			1 ice tray		1 ice tray		
<b>Safety systems</b>							
Sound signal for functional error	-	-	-	-	-	-	•
<b>Technical data</b>							
Energy consumption kWh/24h	0,373 kWh	0,348 kWh	0,637 kWh	0,338 kWh	0,518 kWh	0,537 kWh	0,51 kWh
Energy consumption kWh/year	136 kWh	127 kWh	233 kWh	123 kWh	189 kWh	196 kWh	186 kWh
Voltage (V)	230 V	230 V	230 V	230 V	230 V	230 V	230 V
Nominal current of fuse	13 A+	13 A+	13 A+	13 A+	13 A+	13 A+	13 A+
Connected load	65 W	50 W	90 W	70 W	80 W	80 W	90 W
Niche dimensions min-max (HxWxD)	122,5-123 x 56-57 x 55 cm	87,5-88 x 56-57 x 55 cm	122,5-123 x 56-57 x 55 cm	82-90 x 60 x 55 cm	82-90 x 60 x 55 cm	87,5-88 x 56-57 x 55 cm	82-90 x 60 x 55 cm
Level of noise (max.)	41 dB(A)	38 dB(A)	41 dB(A)	40 dB(A)	42 dB(A)	40 dB(A)	41 dB(A)
Product dimensions (HxWxD)	122,5 x 54 x 54,5 cm	87,5 x 54 x 54,5 cm	122,5 x 54 x 54,5 cm	82 x 59,6 x 54,5 cm	82 x 59,6 x 54,5 cm	87,5 x 54 x 54,5 cm	82 x 59,6 x 54,5 cm
Dimensions of packed product (HxWxD)	128,5 x 58,5 x 65 cm	93,5 x 58,5 x 65 cm	128,5 x 58,5 x 65 cm	88 x 63,5 x 60 cm	88 x 63,5 x 60 cm	93,5 x 58,5 x 65 cm	88 x 63,5 x 60 cm
Depth (incl. wall spacing)	55 cm	55 cm	55 cm	55 cm	55 cm	55 cm	55 cm
Depth with door open	1067 mm	1067 mm	1067 mm	1146 mm	1146 mm	1067 mm	1146 mm
Weight (gross/net)	43 / 41 kg	33,5 / 31,5 kg	46 / 44 kg	37 / 35 kg	37 / 35 kg	36 / 34 kg	35 / 33 kg
EAN code	3838942819421	3838942819438	3838942819445	383894286116	3838942861123	3838942819452	3838942861130

## Built-in single ovens

Model name	BO 87 KR	BO 87 ORA-X	BO 87 ORA-W	BO 71 ORA-X	BO 71 ORA-W	BO 75 SYW
Catalogue page	10	19	19	20	20	33
Type of oven	Multifunction oven	Multifunction oven	Multifunction oven	Multifunction oven	Multifunction oven	Multifunction oven
Colour	Brushed aluminium	Stainless steel	White	Stainless steel	White	White
Control panel material	Glass and aluminium	Glass	Glass	Glass	Glass	Glass
Door material	Glass and aluminium	Glass	Glass	Glass	Glass	Glass
Width x height	59,7 × 59,5 cm	59,7 × 59,5 cm	59,7 × 59,5 cm	59,7 × 59,5 cm	59,7 × 59,5 cm	59,7 × 59,5 cm
<b>Efficiency</b>						
Energy class	A <sup>-20%</sup> - 20% less energy consumption as A energy class	A <sup>-20%</sup> - 20% less energy consumption as A energy class	A <sup>-20%</sup> - 20% less energy consumption as A energy class	A <sup>-20%</sup> - 20% less energy consumption as A energy class	A <sup>-20%</sup> - 20% less energy consumption as A energy class	A <sup>-20%</sup> - 20% less energy consumption as A energy class
Oven volume: gross/net	66 / 65 l	66 / 65 l	66 / 65 l	66 / 65 l	66 / 65 l	66 / 65 l
HomeMADE <sup>®</sup> modelled on traditional wood-fired bread oven	•	•	•	•	•	•
Surface of the largest baking pan	1316 cm <sup>2</sup>	1316 cm <sup>2</sup>	1316 cm <sup>2</sup>	1316 cm <sup>2</sup>	1316 cm <sup>2</sup>	1316 cm <sup>2</sup>
<b>Control</b>						
Temperature control	Electronic control	Electronic control	Electronic control	Mechanic temperature control	Mechanic temperature control	Electronic control
Knobs illumination	-	-	-	-	-	-
Retractable knobs	-	-	-	•	•	-
Control	DirectTOUCH - Electronic control module with pre-set menus and fast pre-heating	DirectTOUCH - Electronic control module with pre-set menus and fast pre-heating	DirectTOUCH - Electronic control module with pre-set menus and fast pre-heating	DirectTOUCH - Electronic control module with pre-set menus and fast pre-heating	DirectTOUCH - Electronic control module with pre-set menus and fast pre-heating	Temperature display with Touch control
<b>Heating types</b>						
Defrosting	•	•	•	•	•	•
Lower heater and fan	•	•	•	•	•	•
Lower heater with circular heater and fan	•	•	•	•	•	•
Small infra grill	•	•	•	•	•	•
Large infra grill	•	•	•	•	•	•
<b>Features</b>						
Door hinge	Door to door hinge	SoftClose door hinge	SoftClose door hinge	Classic door hinge	Classic door hinge	SoftClose door hinge
Oven illumination	Oven illumination	Oven illumination	Oven illumination	Oven illumination	Oven illumination	Oven illumination
FastPreheat, 200°C in 6 minutes	•	•	•	-	-	•
StayWarm, keeping dishes warm	•	•	•	-	-	-
WarmPlate, for professional service	•	•	•	-	-	-
<b>Equipment</b>						
Deep tray	•	•	•	•	•	•
Shallow enamelled frying pan	•	•	•	•	•	•
Grid	•	•	•	•	•	•
Meat probe	-	•	•	-	-	-
Oven guides	Telescopic oven guides - 3 levels	Telescopic oven guides - 3 levels	Telescopic oven guides - 3 levels	Wire oven guides	Wire oven guides	Telescopic oven guides - 2 levels
Grease filter	Stainless grease filter	Stainless grease filter	Stainless grease filter	Stainless grease filter	Stainless grease filter	-
<b>Safety systems</b>						
Thermoelectric fuse	•	•	•	•	•	•
Cooling fan	Dynamic oven cooling plus - DC+	Dynamic oven cooling plus - DC+	Dynamic oven cooling plus - DC+	Dynamic oven cooling - DC	Dynamic oven cooling - DC	Dynamic oven cooling - DC
Surface door temperature	CoolDoor	UCD - Ultra cool door	UCD - Ultra cool door	CoolDoor	CoolDoor	CoolDoor
Oven door switch	•	-	-	-	-	-
Safety bolt	-	Mechanic door safety bolt	Mechanic door safety bolt	Mechanic door safety bolt	Mechanic door safety bolt	Mechanic door safety bolt
<b>Easy cleaning</b>						
AquaClean function	•	•	•	•	•	•
Pyrolytic self cleaning oven	-	-	-	-	-	-
Oven door surface	•	•	•	•	•	•
Foldable top heater for easy cleaning	•	•	•	-	-	-
<b>Technical data</b>						
Energy consumption	0,79 kWh (venting), 0,87 kWh (conventional)	0,79 kWh (venting), 0,87 kWh (conventional)	0,79 kWh (venting), 0,87 kWh (conventional)	0,79 kWh (venting), 0,87 kWh (conventional)	0,79 kWh (venting), 0,87 kWh (conventional)	0,79 kWh (venting), 0,87 kWh (conventional)
Voltage (V)	230 V	230 V	230 V	230 V	230 V	230 V
Connected load	3300 W	3300 W	3300 W	3300 W	3300 W	3300 W
Type B	•	•	•	•	•	•
Product dimensions (HxWxD)	59,5 × 59,7 × 58,9 cm	59,5 × 59,7 × 56,5 cm	59,5 × 59,7 × 56,5 cm	59,5 × 59,7 × 56,5 cm	59,5 × 59,7 × 56,5 cm	59,5 × 59,7 × 56,5 cm
Dimensions of packed product (HxWxD)	69,1 × 63,5 × 68 cm	69,1 × 63,5 × 68 cm	69,1 × 63,5 × 68 cm	69,1 × 63,5 × 68 cm	69,1 × 63,5 × 68 cm	69,1 × 63,5 × 68 cm
Weight (gross/net)	41,6 / 37,3 kg	38,8 / 34,5 kg	37,6 / 34,3 kg	37,6 / 33,3 kg	37,8 / 33,5 kg	37,3 / 33 kg
EAN code	3838942625756	3838942525469	3838942574245	3838942525483	3838942574252	3838942610295

## Built-in single ovens

Model name	BO 75 SYB	BOP 9958 AX	BO 8776 AX	BO 7476 AX	BO 7376 AX	BO 4375 AX
Catalogue page	33	97	97	98	98	99
Type of oven	Multifunction oven	Multifunction oven	Multifunction oven	Multifunction oven	Multifunction oven	Fan venting oven
Colour	Black	Stainless steel	Stainless steel	Stainless steel	Stainless steel	Stainless steel
Control panel material	Glass	Stainless steel and glass	Stainless steel and glass	Stainless steel and glass	Stainless steel	Stainless steel
Door material	Glass	Stainless steel and glass	Stainless steel and glass	Stainless steel and glass	Stainless steel and glass	Stainless steel and glass
Width x height	59,7 × 59,5 cm	59,7 × 59,5 cm	59,7 × 59,5 cm	59,7 × 59,5 cm	59,7 × 59,5 cm	59,7 × 59,5 cm
<b>Efficiency</b>						
Energy class	A <sup>-20%</sup> - 20% less energy consumption as A energy class	A	A <sup>-20%</sup> - 20% less energy consumption as A energy class	A <sup>-20%</sup> - 20% less energy consumption as A energy class	A <sup>-20%</sup> - 20% less energy consumption as A energy class	A <sup>-20%</sup> - 20% less energy consumption as A energy class
Oven volume: gross/net	66 / 65 l	64 / 60 l	66 / 65 l	66 / 65 l	66 / 65 l	66 / 65 l
HomeMADE® modelled on traditional wood-fired bread oven	•	•	•	•	•	•
Surface of the largest baking pan	1316 cm <sup>2</sup>		1316 cm <sup>2</sup>	1316 cm <sup>2</sup>	1316 cm <sup>2</sup>	1316 cm <sup>2</sup>
<b>Control</b>						
Temperature control	Electronic control	Electronic control	Electronic control	Electronic control	Mechanic temperature control	Mechanic temperature control
Knobs illumination	-	-	-	•	-	-
Retractable knobs	-	-	-	-	•	-
Control	Temperature display with Touch control	HomeChef, electronic programme module	DirectTOUCH - Electronic control module with pre-set menus and fast pre-heating	Touch control electronic programming timer - with temperature display	Touch control electronic programming timer	Touch control electronic programming timer
<b>Heating types</b>						
Defrosting	•	•	•	•	•	•
Lower heater and fan	•	•	•	•	•	-
Lower heater with circular heater and fan	•	•	•	•	•	-
Small infra grill	•	•	•	•	•	•
Large infra grill	•	•	•	•	•	•
<b>Features</b>						
Door hinge	SoftClose door hinge	Classic door hinge	SoftClose door hinge	SoftClose door hinge	Classic door hinge	Classic door hinge
Oven illumination	Oven illumination	Double oven illumination - Openview	Double oven illumination - Openview	Double oven illumination - Openview	Oven illumination	Oven illumination
FastPreheat, 200°C in 6 minutes	•	•	•	-	-	-
StayWarm, keeping dishes warm	-	•	•	-	-	-
WarmPlate, for professional service	-	•	•	-	-	-
<b>Equipment</b>						
Deep tray	•	•	•	•	•	•
Shallow enamelled frying pan	•	•	•	•	•	•
Grid	•	•	•	•	•	•
Meat probe	-	•	•	-	-	-
Oven guides	Telescopic oven guides - 2 levels	Wire oven guides	Telescopic oven guides - 3 levels	Telescopic oven guides - 3 levels	Wire oven guides	Wire oven guides
Grease filter						
<b>Safety systems</b>						
Thermoelectric fuse	•	•	•	•	•	•
Cooling fan	Dynamic oven cooling - DC	Dynamic oven cooling plus - DC+	Dynamic oven cooling plus - DC+	Dynamic oven cooling plus - DC+	Dynamic oven cooling - DC	Dynamic oven cooling - DC
Surface door temperature	CoolDoor	Ultra cool door quadro	UCD - Ultra cool door	UCD - Ultra cool door	CoolDoor	Compact double-glazed oven door
Oven door switch	-	•	•	•	-	-
Safety bolt	Mechanic door safety bolt	Mechanic door safety bolt	Mechanic door safety bolt	Mechanic door safety bolt	Mechanic door safety bolt	Mechanic door safety bolt
<b>Easy cleaning</b>						
AquaClean function	•	-	•	•	•	-
Pyrolytic self cleaning oven	-	•	-	-	-	-
Oven door surface	•	•	•	•	•	-
Foldable top heater for easy cleaning	-	-	•	•	-	-
<b>Technical data</b>						
Energy consumption	0,79 kWh (venting), 0,87 kWh (conventional)	0,79 kWh (venting), 0,87 kWh (conventional)	0,79 kWh (venting), 0,87 kWh (conventional)	0,79 kWh (venting), 0,87 kWh (conventional)	0,79 kWh (venting), 0,87 kWh (conventional)	0,79 kWh (venting)
Voltage (V)	230 V	230 V	230 V	230 V	230 V	230 V
Connected load	3300 W	3300 W	3300 W	3300 W	3300 W	2700 W
Type B	•	•	-	-	-	-
Product dimensions (HxWxD)	59,5 × 59,7 × 56,5 cm	59,5 × 59,7 × 56,5 cm	59,5 × 59,7 × 56,5 cm	59,5 × 59,7 × 56,5 cm	59,5 × 59,7 × 56,5 cm	59,5 × 59,7 × 56,5 cm
Dimensions of packed product (HxWxD)	69,1 × 63,5 × 68 cm	69,1 × 63,5 × 68 cm	69,1 × 63,5 × 68 cm	69,1 × 63,5 × 68 cm	69,1 × 63,5 × 68 cm	69,1 × 63,5 × 68 cm
Weight (gross/net)	32,8 / 28,8 kg	43 / 38,7 kg	42,3 / 38 kg	43,3 / 39 kg	39,3 / 35 kg	44,3 / 40 kg
EAN code	3838942610271	3838942782534	3838942550102	3838942550089	3838942550072	3838942550065

## Built-in double ovens

Model name	BD 2136 AX	BDU 2136 AX	BD 2116 AX	BDU 2116 AX
Catalogue page	100	100	101	101
Type of oven	Dual oven	Dual oven	Fan venting oven	Fan venting oven
Colour	Stainless steel	Stainless steel	Stainless steel	Stainless steel
Control panel material	Glass	Glass	Stainless steel	Stainless steel
Door material	Glass	Glass	Glass	Inox
Width x height	59,4 × 88,8 cm	59,4 × 72 cm	59,4 × 88,8 cm	59,4 × 71,8 cm
<b>Efficiency</b>				
Energy class	A/A	A/A	A/B	A/B
<b>Control</b>				
Temperature control	Mechanic temperature control	Mechanic temperature control	Mechanic temperature control	Mechanic temperature control
Control	Touch control electronic programming timer	Touch control electronic programming timer		Touch control electronic programming timer
<b>Heating types</b>				
Defrosting	•	•	•	•
Lower heater	•	•	-	-
Lower heater and fan	•	•	-	-
Upper heater	-	•	-	-
Upper and lower heater	-	•	-	-
Small infra grill	•	•	•	•
Large infra grill	•	•	-	-
<b>Features</b>				
Oven illumination	Oven illumination	Oven illumination	Oven illumination	Oven illumination
<b>Equipment</b>				
Deep tray	•	•	•	•
Grid	•	•	•	•
Oven guides	Wire oven guides	Wire oven guides	Wire oven guides	Wire oven guides
<b>Technical data</b>				
Energy consumption	0,94 kWh (venting), 0,59 kWh (conventional)	0,94 kWh (venting), 0,59 kWh (conventional)	1,16 kWh (venting), 0,94 kWh (conventional)	1,04 kWh (venting), 0,99 kWh (conventional)
Voltage (V)	230 V	230 V	230 V	230 V
Connected load	4920 W	4120 W	4250 W	3850 W
Product dimensions (HxWxD)	88,8 × 59,4 × 56,1 cm	72 × 59,4 × 56,1 cm	88,8 × 59,4 × 54 cm	71,8 × 59,4 × 54 cm
Dimensions of packed product (HxWxD)	98,4 × 66,2 × 68,2 cm	81,4 × 66,2 × 68,2 cm	96 × 65 × 65 cm	81 × 65 × 65 cm
Weight (gross/net)	69 / 62,5 kg	57 / 51,2 kg	64 / 58 kg	55 / 50 kg
EAN code	3838942820830	3838942861970	3838942545795	3838942545801

## Freestanding cookers

Model name	E 63175 AW	E 52108 GW	GI 62123 AW	GI 52108 AW
Catalogue page	104	105	105	105
Line	Exclusive			
Type of oven	Conventional oven	Conventional oven	Gas oven	Gas oven
Colour	White	White	White	White
Control panel material	Varnished metal	Enamel	Varnished metal	Enamel
Door material	Glass	Glass	Glass	Glass
Width x height	60 × 90 cm	50 × 90 cm	60 × 90 cm	50 × 90 cm
<b>Efficiency</b>				
Energy class	A+	B		
<b>Hob</b>				
Hob type	Electric Hob	Electric Hob	Gas hob	Gas hob
<b>Control</b>				
Ignition device			Electric ignition of gas burners	Electric ignition of gas burners
<b>Features</b>				
Burner frames number	-	-	2	2
<b>Cooking surface</b>				
Number of cooking zones/burners	4	4	4	4
Cooking zones	Left front: 180 mm, 2 kW, fast hotplate Right front: 145 mm, 1,5 kW, fast hotplate Left behind: 145 mm, 1 kW, standard hotplate Right behind: 180 mm, 1,5 kW, standard hotplate	Left front: 180 mm, 2 kW, fast hotplate Right front: 145 mm, 1 kW, standard hotplate Left behind: 145 mm, 1 kW, standard hotplate Right behind: 180 mm, 1,5 kW, standard hotplate with temp. restrainer	Left front: 69 mm, 1,9 kW, standard burner Right front: 94 mm, 3 kW, large burner Left behind: 69 mm, 1,9 kW, standard burner Right behind: 46 mm, 1 kW, auxiliary burner	Left front: 55 mm, 1 kW, auxiliary burner Right front: 75 mm, 1,75 kW, standard burner Left behind: 75 mm, 1,75 kW, standard burner Right behind: 100 mm, 2,7 kW, large burner
Type of pan support			Enameled	
<b>Oven</b>				
Usable oven volume	70 l	49 l	47 l	46 l
HomeMADE* modelled on traditional wood-fired bread oven	•	-	•	-
Surface of the largest baking pan	1316 cm <sup>2</sup>	1230 cm <sup>2</sup>		1230 cm <sup>2</sup>
<b>Heating types</b>				
Lower heater	•	•	-	-
Upper heater	•	•	-	-
Upper and lower heater	•	•	-	-
Small infra grill	•	-	-	-
Large infra grill	•	-	-	-
<b>Features</b>				
Oven illumination	Oven illumination	Oven illumination	Oven illumination	Oven illumination
<b>Equipment</b>				
Deep tray	•	•	•	•
Shallow enamelled frying pan	•	-	-	-
Shallow aluminium frying pan			shallow aluminium frying pan(s)	
Grid	•	•	•	•
Oven guides	Wire oven guides	Ribbed oven guides	Ribbed oven guides	Ribbed oven guides
<b>Safety systems</b>				
Thermoelectric fuse	•	-	-	•
Surface door temperature	Compact double-glazed oven door	Compact double-glazed oven door	Compact double-glazed oven door	Compact double-glazed oven door
<b>EasyCleaning</b>				
AquaClean function	•	•	•	•
<b>Technical data</b>				
Energy consumption	0,87 kWh (conventional)	0,94 kWh (conventional)		
Connected load	8700 W	7400 W		27 W
Gas type			G20/20 natural gas	G20/20 natural gas
Product dimensions (HxWxD)	90 × 60 × 60 cm	90 × 50 × 60,5 cm	90 × 60 × 60 cm	90 × 50 × 60,5 cm
Dimensions of packed product (HxWxD)	95 × 67,6 × 71,5 cm	100 × 57 × 71,6 cm	95 × 67,6 × 71,5 cm	100 × 57 × 71,6 cm
Weight (gross/net)	48,5 / 44 kg	38 / 40,5 kg	49,5 / 45 kg	43 / 40,5 kg
EAN code	383894253464	3838942523021	3838942533471	3838942523045

## Built-in steam oven

Model name	BOC 6322 AX
Catalogue page	107
Product type	Oven
Colour	Stainless steel
Control panel material	Glass
Inner oven material	Stainless steel oven interior
Width x height	59,4 × 45,8 cm
<b>Efficiency</b>	
Energy class	A
Type of oven	Multifunction oven
Water container	1,4 l
<b>Control</b>	
Temperature control	Electronic control
<b>Heating types</b>	
Steam cooking	•
HotAir cooking	•
SlowCooking - cooking on low temperature	•
<b>Features</b>	
Oven illumination	Double oven illumination - Openview
<b>Safety systems</b>	
Cooling fan	Dynamic oven cooling - DC
Surface door temperature	CoolDoor
Safety bolt	Electronic door safety bolt
<b>Equipment</b>	
Grid	•
Oven guides	Ribbed oven guides
<b>Technical data</b>	
Energy consumption	0,74 kWh (venting), 0,78 kWh (conventional)
Nominal current of fuse	10 A+
Connected load	3100 W
Time to cook a standard load - multifunctional oven	39,4 min
Time to cook a standard load - conventional oven	44 min
Cord length	1,95 m
Dimensions of the product (W×H×D)	59,4 × 45,8 × 56 cm
Niche dimensions (W×HxD) (min-max)	56 × 45-45,8 × 56 cm
Dimensions of packed product (W×H×D)	67 × 67 × 58,5 cm
Weight (gross/net)	39,7 / 34,7 kg
EAN code	3838942820854

## Micro & combined ovens

Model name	BM 6250 ORA-W	BM 6250 ORA-X	BOC 5322 AX	BM 5250 X	BM 5240 AX
Catalogue page	21	21	107	108	108
Product type	Microwave oven	Microwave oven	Microwave oven	Microwave oven	Microwave oven
Colour	White	Black	Stainless steel	Stainless steel	Stainless steel
Inner oven material	Stainless steel oven interior	Stainless steel oven interior	Stainless steel oven interior	Stainless steel oven interior	Stainless steel oven interior
Door opening	Handle	Handle	Handle	Button	Button
Width x height	51 × 30,3 cm	51 × 30,3 cm	59,5 × 45,5 cm	59,2 × 37,6 cm	59,5 × 39 cm
<b>Efficiency</b>					
Oven volume	23 l	23 l	32 l	20 l	23 l
Number of power levels	5	5	6	5	6
Max microwave power	900 W	900 W	1000 W	700 W	900 W
Hot-air power			1500 W		
Power of upper infra heater	1200 W	1200 W	1500 W	800 W	1000 W
<b>Control</b>					
Control type	Electronic control	Electronic control	Electronic control	Electronic control	Electronic control
Type of display	LED display	LED display			
Clock	•		•	-	-
Preinstalled programmes	6	6	3		6
AUTO menu	•	•	-	•	-
<b>Heating types</b>					
Microwaves	•	•	•	•	•
Combined heating	Microwaves + grill	Microwaves + grill	Microwaves / Grill / Hot air	Microwaves + grill	Microwaves + grill
Conventional cooking and microwaves	-	-	•	-	-
Ventilátor	-	-	•	-	-
Microwaves & grill & conventional cooking	-	-	•	-	-
<b>Features</b>					
AUTO defrost	•	•	•	•	•
Fast heating	•	•	-	-	-
Autodefroast	-	-	-	•	-
Autocooking weight	-	-	•	•	•
<b>Safety systems</b>					
Child lock	•	•	•	-	-
Door safety bolt	•	•	-	-	-
<b>Equipment</b>					
Illumination	•	•	•	-	•
Rotating plate	Rotating plate	Rotating plate	Rotating plate	Rotating plate	Rotating plate
Plate diameter	27 cm	27 cm	32 cm	24,5 cm	27 cm
Grill rack	Rotating grid	Rotating grid	Rotating grid	Rotating grid	Grill rack
Type of heating element	Quartz	Quartz	Tube	Quartz	Quartz
Built-in frame	-	-	-	•	-
<b>Technical data</b>					
Voltage (V)	230 V	230 V	230 V	230 V	220 V
Nominal current of fuse				6 A+	6 A+
Connected load	1400 W	1400 W	3400 W	1080 W	1400 W
Plug type SHUKO	•	•	-	-	-
Cord length	1,3 m	1,3 m	1,5 m	1,5 m	1,5 m
Dimensions of the product (W×H×D)	51 × 30,3 × 41 cm	51 × 30,3 × 41 cm	59,5 × 45,5 × 54,2 cm	59,2 × 37,6 × 31,3 cm	59,5 × 39 × 37 cm
Niche dimensions (W×HxD)	56,6 × 36,5 × 55 cm	56,6 × 36,5 × 55 cm	56-56,8 × 44,8-45,2 × 55 cm	57-58 × 35-36 × 32,3 cm	56,7 × 38 × 43 cm
Dimensions of packed product (W×H×D)	57 × 34 × 47 cm	57 × 34 × 47 cm	68 × 53,5 × 66 cm	70,6 × 40,3 × 46 cm	57,5 × 37 × 55 cm
Weight (gross/net)	15,7 / 14,5 kg	15,7 / 14,5 kg	38 / 35 kg	14,9 / 13 kg	18,5 / 17,5 kg
EAN code	3838942720413	3838942720406	3838942523595	3838942772139	3838942227448



## Warming drawer

<b>Model name</b>	<b>BWD 1102 AX</b>
Catalogue page	109
Product type	Warming drawer
Mode of installation	Built-in
Colour	Stainless steel
Width x height	59,5 x 14 cm
<b>Efficiency</b>	
Capacity	6 standard place settings or 80 coffee cups or 40 tea cups
<b>Functions / Operating</b>	
Air vented circulation	•
Illuminated power button	•
Temperature setting	Temperature between 30-85 °C
Telescopic pull-out mechanism	•
Cold front	•
<b>Technical data</b>	
Voltage (V)	220-240 V
Connected load	400 W
Product dimensions (HxWxD)	14 x 59,5 x 55,7 cm
Interior dimensions (hxwxh)	10 x 44 x 50 cm
Niche dimensions min-max (HxWxD)	59,3-59,5 x 56-56,8 x 55 cm
Dimensions of packed product (HxWxD)	25 x 64,5 x 67 cm
Weight (gross/net)	20,3 / 18 kg
EAN code	3838942523922

## Built in Hobs

Model name	IT 65 KR	IT 65 KRB	GC 650 KR	IT 641 ORA-W	IT 641 ORA	ECT 610 ORA-W	ECT 610 ORA	ECT 680 ORA-W	ECT 680 ORA
Catalogue page	11	11	11	22	22	23	23	24	24
Product type	Hob	Hob	Hob	Hob	Hob	Hob	Hob	Hob	Hob
Colour	White	Black	White	White	Black	White	Black	White	Black
Hob type	Induction hob	Induction hob	Glass ceramic gas hob	Induction hob	Induction hob	Glass ceramic hob	Glass ceramic hob	Glass ceramic hob	Glass ceramic hob
Width	600 mm	600 mm	600 mm	600 mm	600 mm	600 mm	600 mm	600 mm	600 mm
<b>Control</b>									
Touch control	•	•	-	•	•	•	•	•	•
Timer function	•	•	-	•	•	-	-	•	•
<b>Features</b>									
SmartSense security function	-	-	-	•	•	-	-	-	-
BoilControl, prevents pots from boiling over	-	-	-	•	•	•	•	•	•
PowerBoost function	•	•	-	•	•	-	-	-	-
StopGo for maximum convenience	-	-	-	•	•	-	-	•	•
StayWarm	-	-	-	•	•	-	-	•	•
SoftMelt	-	-	-	•	•	-	-	-	-
<b>Cooking surface</b>									
Pan support			4						
Cooking zones	Left front: 185 mm, 1,4/2 kW, induction Right front: 165 mm, 1,2/1,4 kW, induction Left behind: 165 mm, 1,2/1,4 kW, induction Right behind: 205 mm, 2/2,3 kW, induction	Left front: 185 mm, 1,4/2 kW, induction Right front: 165 mm, 1,2/1,4 kW, induction Left behind: 165 mm, 1,2/1,4 kW, induction Right behind: 205 mm, 2/2,3 kW, induction	Left front: 131 mm, 3,8 kW, Triple burner Right front: 50 mm, 1 kW, auxiliary burner Left behind: 60 mm, 1,75 kW, standard burner Right behind: 60 mm, 1,75 kW, standard burner	Left front: 210 mm, 2,3/3,7 kW, induction Right front: 180 mm, 1,85/3 kW, induction Left behind: 145 mm, 1,4/2,2 kW, induction Right behind: 180 mm, 1,85/3 kW, induction	Left front: 210 mm, 2,3/3,7 kW, induction Right front: 180 mm, 1,85/3 kW, induction Left behind: 145 mm, 1,4/2,2 kW, induction Right behind: 180 mm, 1,85/3 kW, induction	Left front: 210 mm, 2,3 kW, HiLight Right front: 145 mm, 1,2 kW, HiLight Left behind: 145 mm, 1,2 kW, HiLight Right behind: 180 mm, 1,8 kW, HiLight	Left front: 210 mm, 2,3 kW, HiLight Right front: 145 mm, 1,2 kW, HiLight Left behind: 145 mm, 1,2 kW, HiLight Right behind: 180 mm, 1,8 kW, HiLight	Left front: 210/175/120 mm, 2,3 kW, HiLight Right front: 145 mm, 1,2 kW, HiLight Left behind: 145 mm, 1,2 kW, HiLight Right behind: 265x170 mm, 2,4 kW, HiLight	Left front: 210/175/120 mm, 2,3 kW, HiLight Right front: 145 mm, 1,2 kW, HiLight Left behind: 145 mm, 1,2 kW, HiLight Right behind: 265x170 mm, 2,4 kW, HiLight
Type of pan support			Cast iron grid						
Ignition device			Single-handed ignition						
<b>Safety and durability</b>									
Residual heat indicator	Residual heat indicator	Residual heat indicator		Residual heat indicator	Residual heat indicator	Residual heat indicator	Residual heat indicator	Residual heat indicator	Residual heat indicator
Safety lock	-	-	-	•	•	•	•	•	•
Safety function	•	•	-	•	•	•	•	•	•
<b>Technical data</b>									
Voltage (V)	220-240 V	220-240 V	230 V	230 V	230 V	230 V	230 V	230 V	230 V
Connected load	7,1 kW	7,1 kW		7,4 kW	7,4 kW	6,5 kW	6,5 kW	7,1 kW	7,1 kW
Silent operation SuperSilent	•	•	-	•	•	-	-	-	-
Gas type			G20/20 natural gas						
Product dimensions (HxWxD)	5,6 × 60 × 51 cm	5,6 × 60 × 51 cm	11,6 × 60 × 51 cm	4,7 × 60 × 51 cm	4,7 × 60 × 51 cm	5,4 × 60 × 51 cm	5,4 × 60 × 51 cm	5,4 × 60 × 51 cm	5,4 × 60 × 51 cm
Niche dimensions (HxWxD)	5,2 × 56 × 49 cm	5,2 × 56 × 49 cm	6,4 × 56 × 49 cm	4,3 × 56 × 49 cm	4,3 × 56 × 49 cm	5 × 56 × 49 cm	5 × 56 × 49 cm	5 × 56 × 49 cm	5 × 56 × 49 cm
Dimensions of packed product (HxWxD)	13 × 75,7 × 60 cm	13 × 75,7 × 60 cm	14,5 × 71 × 63,5 cm	13 × 75,7 × 93,1 cm	13 × 75,7 × 93,1 cm	14,5 × 71 × 63,5 cm	14,5 × 71 × 63,5 cm	14,5 × 71 × 63,5 cm	14,5 × 71 × 63,5 cm
Weight (gross/net)	10,5 / 10 kg	10,5 / 10 kg	11,1 / 10,5 kg	12,1 / 10,1 kg	12,1 / 10,1 kg	8,8 / 8 kg	8,4 / 7,6 kg	9,1 / 8,3 kg	9,2 / 8,4 kg
EAN code	3838942813566	3838942813573	3838942633942	3838942669408	3838942669095	3838942559051	3838942525803	3838942559068	3838942525810

## Built in Hobs

Model name	GHS 64 ORA-W	IT 612 SYW	IT 612 SYB	ECT 6 SYW	ECT 6 SYB	G 6 SYW	G 6 SYB	IQ 641 AC	IS 644 AC
Catalogue page	24	34	34	34	35	35	35	117	117
Product type	Hob	Hob	Hob	Hob	Hob	Hob	Hob	Hob	Hob
Colour	White	White	Black	White	Black	White	Black	Black	Black
Hob type	Gas on tempered glass	Induction hob	Induction hob	Glass ceramic hob	Glass ceramic hob	Gas hob	Gas hob	Induction hob	Induction hob
Width	600 mm	600 mm	600 mm	600 mm	600 mm	580 mm	580 mm	600 mm	600 mm
<b>Control</b>									
Touch control	-	•	•	•	•	-	-	•	•
Timer function	-	•	•	•	•	-	-	•	•
<b>Features</b>									
SmartSense security function	-	-	-	-	-	-	-	•	•
BoilControl, prevents pots from boiling over	-	-	-	•	•	-	-	•	•
PowerBoost function	-	•	•	-	-	-	-	•	•
StopGo for maximum convenience	-	-	-	•	•	-	-	•	-
StayWarm	-	-	-	•	•	-	-	•	•
SoftMelt	-	-	-	-	-	-	-	•	-
<b>Cooking surface</b>									
Pan support	4					4	4		
Cooking zones	Left front: 90 mm, 3 kW, large burner Right front: 50 mm, 1 kW, auxiliary burner Left behind: 60 mm, 1,75 kW, standard burner Right behind: 60 mm, 1,75 kW, standard burner	Left front: 185 mm, 1,4/2 kW, induction Right front: 165 mm, 1,2/1,4 kW, induction Left behind: 165 mm, 1,2/1,4 kW, induction Right behind: 205 mm, 2/2,3 kW, induction	Left front: 185 mm, 1,4/2 kW, induction Right front: 165 mm, 1,2/1,4 kW, induction Left behind: 165 mm, 1,2/1,4 kW, induction Right behind: 205 mm, 2/2,3 kW, induction	Left front: 210/120 mm, 2,2 kW, HiLight Right front: 145 mm, 1,2 kW, HiLight Left behind: 145 mm, 1,2 kW, HiLight Right behind: 180/120 mm, 1,7 kW, HiLight	Left front: 210/120 mm, 2,2 kW, HiLight Right front: 145 mm, 1,2 kW, HiLight Left behind: 145 mm, 1,2 kW, HiLight Right behind: 180/120 mm, 1,7 kW, HiLight	Left front: 69 mm, 1,9 kW, standard burner Right front: 46 mm, 1 kW, auxiliary burner Left behind: 69 mm, 1,9 kW, standard burner Right behind: 132 mm, 3,5 kW, Triple burner	Left front: 69 mm, 1,9 kW, standard burner Right front: 46 mm, 1 kW, auxiliary burner Left behind: 69 mm, 1,9 kW, standard burner Right behind: 132 mm, 3,5 kW, Triple burner	Left front: 210 mm, 2,3/3,7 kW, induction Right front: 180 mm, 1,85/3 kW, induction Left behind: 145 mm, 1,4/2,2 kW, induction Right behind: 180 mm, 1,85/3 kW, induction	Left front: 190×220 mm, 2,3/3,7 kW Right front: 180 mm, 1,85/3 kW, induction Left behind: 190×220 mm, 2,3/3,7 kW Right behind: 180 mm, 1,85/3 kW, induction
Type of pan support	Cast iron grid					Cast iron grid	Cast iron grid		
Ignition device	Single-handed ignition					Single-handed ignition	Single-handed ignition		
<b>Safety and durability</b>									
Residual heat indicator		Residual heat indicator	Residual heat indicator	Residual heat indicator	Residual heat indicator			Residual heat indicator	Residual heat indicator
Safety lock	-	-	-	•	•	-	-	•	-
Safety function	-	•	•	•	•	-	-	•	•
<b>Technical data</b>									
Voltage (V)	230 V	220-240 V	220-240 V	230 V	230 V	230 V	230 V	220-240 V	230 V
Connected load		7,1 kW	7,1 kW	6,3 kW	6,3 kW			7,4 kW	7,4 kW
Silent operation SuperSilent	-	•	•	-	-	-	-	•	•
Gas type	G20/20 natural gas					G20/20 natural gas	G20/20 natural gas		
Product dimensions (HxWxD)	10,5 × 60 × 51 cm	5,6 × 60 × 51 cm	5,6 × 60 × 51 cm	5,4 × 60 × 51 cm	5,4 × 60 × 51 cm	10,7 × 58 × 51 cm	10,7 × 58 × 51 cm	4,7 × 60 × 51 cm	4,7 × 60 × 51 cm
Niche dimensions (HxWxD)	6,4 × 56 × 49 cm	5,2 × 56 × 49 cm	5,2 × 56 × 49 cm	5 × 56 × 49 cm	5 × 56 × 49 cm	4,7 × 56 × 49 cm	4,7 × 56 × 49 cm	4,3 × 56 × 49 cm	4,3 × 56 × 49 cm
Dimensions of packed product (HxWxD)	14,5 × 71 × 63,5 cm	17 × 71 × 63,5 cm	17 × 71 × 63,5 cm	17 × 71 × 63,5 cm	17 × 71 × 63,5 cm	16 × 64 × 56,5 cm	16 × 64 × 56,5 cm	13 × 75,7 × 93,1 cm	13 × 75,7 × 93,1 cm
Weight (gross/net)	11,7 / 11 kg	10,5 / 10 kg	10,5 / 10 kg	10,5 / 10 kg	10,6 / 10,1 kg	9,5 / 9 kg	9,5 / 9 kg	12,1 / 10,1 kg	12,8 / 10,8 kg
EAN code	3838942590849	3838942813603	3838942813597	3838942610431	3838942610417	3838942620218	3838942619991	3838942789298	3838942717697

## Built in Hobs

Model name	IT 951 AC	IT 712 ASC	IT 612 ASC	IT 1141 AC	ITG 623 ASC	IT 310 AC	ECT 780 ASC	ECS 680 AC	EC 630 ASC
Catalogue page	117	118	118	118	119	119	119	120	120
Product type	Hob	Hob	Hob	Hob	Hob	Hob	Hob	Hob	Hob
Colour	Black	Black	Black	Black	Black	Black	Black	Black	Black
Hob type	Induction hob	Induction hob	Induction hob	Induction hob	Combined induction hob	Induction hob	Glass ceramic hob	Glass ceramic hob	Glass ceramic hob
Width	900 mm	748 mm	600 mm	1110 mm	580 mm	300 mm	750 mm	600 mm	600 mm
<b>Control</b>									
Touch control	•	•	•	•	-	•	•	•	-
Timer function	•	•	•	•	•	•	•	•	-
<b>Features</b>									
SmartSense security function	•	-	-	•	-	-	-	-	-
BoilControl, prevents pots from boiling over	•	-	-	•	•	-	•	•	-
PowerBoost function	•	•	•	•	-	-	-	-	-
StopGo for maximum convenience	•	-	-	•	-	-	•	-	-
StayWarm	•	-	-	•	-	-	•	•	-
SoftMelt	•	-	-	•	-	-	-	-	-
<b>Cooking surface</b>									
Pan support					2				
Cooking zones	Left front: 180 mm, 1,85/3 kW, Induction Middle front: 180 mm, 1,85/3 kW, Induction Left behind: 180 mm, 1,85/3 kW, Induction middle behind: 180 mm, 1,85/3 kW, Induction Right behind: 260 mm, 2,6/3,7 kW, Induction	Left front: 185 mm, 1,4/2 kW, Induction Right front: 165 mm, 1,2/1,4 kW, Induction Left behind: 165 mm, 1,2/1,4 kW, Induction Right behind: 205 mm, 2/2,3 kW, Induction	Left front: 185 mm, 1,4/2 kW, Induction Right front: 165 mm, 1,2/1,4 kW, Induction Left behind: 165 mm, 1,2/1,4 kW, Induction Right behind: 205 mm, 2/2,3 kW, Induction	Left front: 210 mm, 2,3/3,7 kW, Induction Right front: 210 mm, 2,3/3,7 kW, Induction Middle left: 180 mm, 1,85/3 kW, Induction Middle right: 180 mm, 1,85/3 kW, Induction	Left front: 160 mm, 1,4 kW, Induction Right front: 1 kW, auxiliary burner Left behind: 200 mm, 3 kW, Induction Right behind: 3 kW, standard burner	front: 160 mm, 1,4 kW, induction behind: 200 mm, 2,3/3 kW, induction	Left front: 210/175/120 mm, 2,3 kW, HiLight Right front: 145 mm, 1,2 kW, HiLight Left behind: 145 mm, 1,2 kW, HiLight Right behind: 265x170 mm, 2,4 kW, HiLight	Left front: 210/175/120 mm, 2,3 kW, HiLight Right front: 145 mm, 1,2 kW, HiLight Left behind: 145 mm, 1,2 kW, HiLight Right behind: 265x170 mm, 2,4 kW, HiLight	Left front: 210/120 mm, 2,2 kW, HiLight Right front: 145 mm, 1,2 kW, HiLight Left behind: 145 mm, 1,2 kW, HiLight Right behind: 180 mm, 1,8 kW, HiLight
Type of pan support					Cast iron grid				
Ignition device					Single-handed ignition				
<b>Safety and durability</b>									
Residual heat indicator	Residual heat indicator	Residual heat indicator	Residual heat indicator	Residual heat indicator		Residual heat indicator	Residual heat indicator	Residual heat indicator	Residual heat indicator
Safety lock	•	-	-	•	-	•	•	•	-
Safety function	•	•	•	•	•	-	•	•	-
<b>Technical data</b>									
Voltage (V)	230 V	220-240 V	220-240 V	230 V	220-240 V	220-240 V	230 V	230 V	230 V
Connected load	11,1 kW	7,1 kW	7,1 kW	7,4 kW	2,8 kW	3,6 kW	7,1 kW	7,1 kW	6,4 kW
Silent operation SuperSilent	•	•	•	•	-	-	-	-	-
Gas type					G20/20 natural gas				
Product dimensions (HxWxD)	4,8 × 90 × 52 cm	5,5 × 74,8 × 51 cm	5,6 × 60 × 51 cm	5,7 × 111 × 41 cm	5 × 58 × 51 cm	7,2 × 30 × 51 cm	5,4 × 75 × 51 cm	5,4 × 60 × 51 cm	9,2 × 60 × 51 cm
Niche dimensions (HxWxD)	5,8 × 86 × 49 cm	5 × 71 × 49 cm	5,2 × 56 × 49 cm	5,3 × 107 × 38 cm	6,6 × 55 × 47 cm	6,8 × 27,5 × 49 cm	5 × 71 × 49 cm	5 × 56 × 49 cm	6,2 × 56 × 49 cm
Dimensions of packed product (HxWxD)	13 × 60 × 106,1 cm	16 × 71 × 63,5 cm	17 × 71 × 63,5 cm	13 × 60 × 125,9 cm	16 × 69 × 60 cm	14 × 38 × 58 cm	16 × 86 × 63,5 cm	14,5 × 71,5 × 63,5 cm	14,5 × 71 × 63,5 cm
Weight (gross/net)	17 / 14,5 kg	11,7 / 11,2 kg	11 / 10,5 kg	13,2 / 12 kg	12 / 10,5 kg	6,2 / 5,4 kg	10,8 / 10 kg	10,5 / 10 kg	8,8 / 8,3 kg
EAN code	3838942623981	3838942806353	3838942786044	3838942623974	3838942702662	3838942785221	3838942551086	3838942855887	3838942551802

## Built in Hobs

Model name	EC 310 AC	GT 640 AB	GCW 340 AC	G 760 AX1	G 6N50 AX	G 6N4 AW	G 6N4 AX	GM 320 E
Catalogue page	120	121	121	122	122	123	123	123
Product type	Hob	Hob	Hob	Hob	Hob	Hob	Hob	Hob
Colour	Black	Black	Black	Stainless steel	Stainless steel	White	Stainless steel	Stainless steel
Hob type	Glass ceramic hob	Gas on tempered glass	Glass ceramic gas hob	Gas hob	Gas hob	Gas hob	Gas hob	Gas hob
Width	300 mm	600 mm	300 mm	680 mm	580 mm	580 mm	580 mm	288 mm
<b>Control</b>								
Touch control	-	-	-	-	-	-	-	-
Timer function	-	-	-	-	-	-	-	-
<b>Features</b>								
SmartSense security function	-	-	-	-	-	-	-	-
BoilControl, prevents pots from boiling over	-	-	-	-	-	-	-	-
PowerBoost function	-	-	-	-	-	-	-	-
StopGo for maximum convenience	-	-	-	-	-	-	-	-
StayWarm	-	-	-	-	-	-	-	-
SoftMelt	-	-	-	-	-	-	-	-
<b>Cooking surface</b>								
Pan support		4	1	5	4	4	4	2
Cooking zones	front: 145 mm, 1,2 kW, HiLight behind: 180 mm, 1,7 kW, HiLight	Left front: 90 mm, 3 kW, large burner Right front: 50 mm, 1 kW, auxiliary burner Left behind: 60 mm, 1,75 kW, standard burner Right behind: 60 mm, 1,75 kW, standard burner	Middle front: 140 mm, 4,5 kW, Triple burner	Left front: 45 mm, 1 kW, auxiliary burner Right front: 65 mm, 1,4 kW, Half-speed burner Left behind: 65 mm, 1,75 kW, Half-speed burner Right behind: 90 mm, 2,8 kW, large burner center: 131 mm, 3,1 kW, Triple burner	Left front: 69 mm, 1,9 kW, standard burner Right front: 46 mm, 1 kW, auxiliary burner Left behind: 69 mm, 1,9 kW, standard burner Right behind: 132 mm, 3,5 kW, Triple burner	Left front: 69 mm, 1,9 kW, standard burner Right front: 46 mm, 1 kW, auxiliary burner Left behind: 69 mm, 1,9 kW, standard burner Right behind: 94 mm, 3 kW, large burner	Left front: 69 mm, 1,9 kW, standard burner Right front: 46 mm, 1 kW, auxiliary burner Left behind: 69 mm, 1,9 kW, standard burner Right behind: 94 mm, 3 kW, large burner	front: 77 mm, 1 kW, auxiliary burner behind: 129 mm, 3 kW, large burner
Type of pan support		Cast iron grid	Cast iron grid	Cast iron grid	Cast iron grid	Enameled	Enameled	Enameled
Ignition device		Single-handed ignition	Single-handed ignition	Single-handed ignition	Single-handed ignition	Single-handed ignition	Single-handed ignition	Single-handed ignition
<b>Safety and durability</b>								
Residual heat indicator	Residual heat indicator							
Safety lock	-	-	-	-	-	-	-	-
Safety function	-	-	-	•	-	-	-	•
<b>Technical data</b>								
Voltage (V)	230 V	230 V	230 V	230 V	230 V	230 V	230 V	220 V
Connected load	2,9 kW							
Silent operation SuperSilent	-	-	-	-	-	-	-	-
Gas type		G20/20 natural gas	G20/20 natural gas	G20/20 natural gas	G20/20 natural gas	G20/20 natural gas	G20/20 natural gas	G30/30
Product dimensions (HxWxD)	8,8 × 30 × 51 cm	10,5 × 60 × 51 cm	11,8 × 30 × 51 cm	4 × 68 × 50 cm	10,7 × 58 × 51 cm	10,7 × 58 × 51 cm	10,7 × 58 × 51 cm	4,5 × 28,8 × 51 cm
Niche dimensions (HxWxD)	5,7 × 27,5 × 49 cm	6,4 × 56 × 49 cm	6,4 × 27,5 × 49 cm	4 × 55,3 × 47,3 cm	4,7 × 56 × 49 cm	4,7 × 56 × 49 cm	4,7 × 56 × 49 cm	7 × 26,8 × 49 cm
Dimensions of packed product (HxWxD)	14 × 38 × 58 cm	16 × 63,5 × 71 cm	16 × 44 × 62 cm	12 × 75,5 × 59 cm	16 × 64 × 56,5 cm	16 × 64 × 56,5 cm	16 × 64 × 56,5 cm	12 × 34,5 × 57 cm
Weight (gross/net)	4,5 / 4,1 kg	11,4 / 11 kg	6 / 5,4 kg	16 / 14,7 kg	9,5 / 9 kg	9,5 / 9 kg	9,5 / 9 kg	5 / 4,5 kg
EAN code	3838942530685	3838942551840	3838942623912	3838942523908	3838942551864	3838942636011	3838942551871	3838942223211

## Cooker hoods

Model name	DQGA 65 KR	DKG 552 ORA-W	DKG 552 ORA-S	DT 9 SYW	DT 9 SYB	DT 6 SYW	DT 6 SYB	DFGA 9575 BX
Catalogue page	10	25	25	36	36	37	37	127
Product type	Decorative hood	Decorative hood	Decorative hood	Decorative hood	Decorative hood	Decorative hood	Decorative hood	Telescopic hood
Construction type	Wall mounted cooker hood	Wall mounted cooker hood	Wall mounted cooker hood	Wall mounted cooker hood	Wall mounted cooker hood	Wall mounted cooker hood	Wall mounted cooker hood	Integrated hood
Operation type	Venting with air extraction or recirculation	Venting with air extraction or recirculation	Venting with air extraction or recirculation	Venting with air extraction or recirculation	Venting with air extraction or recirculation	Venting with air extraction or recirculation	Venting with air extraction or recirculation	Venting with air extraction or recirculation
Width	595 mm	550 mm	550 mm	898 mm	898 mm	598 mm	598 mm	826 mm
<b>Efficiency</b>								
Maximum extraction rate by extraction operation	582 m <sup>3</sup> /h	600 m <sup>3</sup> /h	600 m <sup>3</sup> /h	680 m <sup>3</sup> /h	680 m <sup>3</sup> /h	680 m <sup>3</sup> /h	680 m <sup>3</sup> /h	800 m <sup>3</sup> /h
Maximum extraction rate by recirculation operation	319 m <sup>3</sup> /h	332 m <sup>3</sup> /h	332 m <sup>3</sup> /h	420 m <sup>3</sup> /h	420 m <sup>3</sup> /h	420 m <sup>3</sup> /h	420 m <sup>3</sup> /h	740 m <sup>3</sup> /h
Total power of the motors	180 W	250 W	250 W	250 W	250 W	250 W	250 W	350 W
Venting tube diameter	15 cm	14,9 cm	14,9 cm	15 cm	15 cm	15 cm	15 cm	15 cm
<b>Control</b>								
Control type	Electronic control	Electronic control	Electronic control	Mechanic control	Mechanic control	Mechanic control	Mechanic control	Electronic control
Control setting	Touch	Switch	Switch	Simplicity knob for easy control	Simplicity knob for easy control	Simplicity knob for easy control	Simplicity knob for easy control	Touch
Timer function	-	-	-	-	-	-	-	•
Number of speed settings	4	3	3	3	3	3	3	4
Remote control	-	-	-	-	-	-	-	-
Operation indicator	•	•	•	-	-	-	-	•
<b>Features</b>								
Lamp type	Halogen	Halogen	Halogen	Halogen	Halogen	Halogen	Halogen	LED
Number and power of lights	2 × 40 W	2 × 40 W	2 × 40 W	2 × 40 W	2 × 40 W	2 × 40 W	2 × 40 W	3 × 3 W
Airflow boost position								800 m <sup>3</sup> /h
Perimetric suction	-	•	•	-	-	-	-	•
<b>Equipment</b>								
Number of filters	1	1	1	3	3	2	2	1
Filter material	Aluminium	Aluminium	Aluminium	Aluminium	Aluminium	Aluminium	Aluminium	Aluminium
Grease filter indicator	•	-	-	-	-	-	-	•
Odour filter	Optional			Optional	Optional	Optional	Optional	Optional
Number of motors	1	1	1	1	1	1	1	1
Sound protection	Standard sound protection	Standard sound protection	Standard sound protection	Standard sound protection	Standard sound protection	Standard sound protection	Standard sound protection	Standard sound protection
No return airflow flap	150 mm	150 mm	150 mm	150 mm	150 mm	150 mm	150 mm	150 mm
<b>Technical data</b>								
Voltage (V)	220-240 V	220-240 V	220-240 V	220-240 V	220-240 V	220-240 V	220-240 V	230-240 V
Connected load	220 W	290 W	290 W	290 W	290 W	290 W	290 W	353 W
Power input/speed I		114 W	114 W	80 W	80 W	80 W	80 W	165 W
Power input/speed II		143 W	143 W	101 W	101 W	101 W	101 W	215 W
Power input/speed III		224 W	224 W	183 W	183 W	183 W	183 W	280 W
Power input/speed IV	220 W							350 W
Cord length	1,5 m	1,5 m	1,5 m	1,5 m	1,5 m	1,5 m	1,5 m	1,5 m
Noise level (max.)	54 dB(A)	64 dB(A)	64 dB(A)	62 dB(A)	62 dB(A)	62 dB(A)	62 dB(A)	72 dB(A)re 1 pW
Sound power/speed Boost function								72 dB(A)re 1 pW
Sound power/speed I	40 dB(A)re 1 pW	44 dB(A)re 1 pW	44 dB(A)re 1 pW	46 dB(A)re 1 pW	46 dB(A)re 1 pW	46 dB(A)re 1 pW	46 dB(A)re 1 pW	52 dB(A)re 1 pW
Sound power/speed II	47 dB(A)re 1 pW	54 dB(A)re 1 pW	54 dB(A)re 1 pW	50 dB(A)re 1 pW	50 dB(A)re 1 pW	50 dB(A)re 1 pW	50 dB(A)re 1 pW	63 dB(A)re 1 pW
Sound power/speed III	54 dB(A)re 1 pW	65 dB(A)re 1 pW	65 dB(A)re 1 pW	63 dB(A)re 1 pW	63 dB(A)re 1 pW	63 dB(A)re 1 pW	63 dB(A)re 1 pW	68 dB(A)re 1 pW
Sound power/speed IV	60 dB(A)re 1 pW							72 dB(A)re 1 pW
Dimensions of the product (width x depth)	59,5 × 38,2 cm	55 × 38,8 cm	55 × 38,8 cm	89,8 × 45,4 cm	89,8 × 45,4 cm	59,8 × 45,4 cm	59,8 × 45,4 cm	82,6 × 9,2 cm
Dimensions of packed product (HxWxD)	50 × 83,5 × 45 cm	53 × 76 × 65 cm	53 × 76 × 65 cm	57 × 98 × 43 cm	57 × 98 × 43 cm	57 × 68 × 43,5 cm	57 × 68 × 43,5 cm	57 × 100,5 × 93 cm
Height	458 mm	510 mm	510 mm	100 mm	100 mm	100 mm	100 mm	740 mm
Height of the chimney (min/max)	56,4 / 107,4 cm	46,5 / 89 cm	46,5 / 89 cm	65,8 / 118,8 cm	65,8 / 118,8 cm	65,8 / 118,8 cm	65,8 / 118,8 cm	
Distance from the bottom edge up to the top of the turbine	45,8 cm	55 cm	55 cm	27,8 cm	27,8 cm	27,8 cm	27,8 cm	
Weight (gross/net)	21 / 15 kg	30,73 / 25,7 kg	30,72 / 25,7 kg	21,05 / 16,6 kg	21,05 / 16,6 kg	18,71 / 14,9 kg	18,61 / 14,8 kg	24,5 / 18 kg
EAN code	3838942617409	3838942606748	3838942374692	3838942609701	3838942609695	3838942609725	3838942609718	3838942787546

## Cooker hoods

Model name	DQ 4446 X-UK	IDR 4545 X-UK	DT 9545 AX-UK	DVG 9446 HB-UK	DTT 9546 B-UK	DTT 6546 B-UK	DVG 8545 AX-UK	DVG 6545 AX-UK
Catalogue page	128	128	129	129	130	130	131	131
Product type	Decorative hood	Decorative hood	Decorative hood	Decorative hood	Decorative hood	Decorative hood	Decorative hood	Decorative hood
Construction type	Wall mounted cooker hood	Island hood	Wall mounted cooker hood	Wall mounted cooker hood	Wall mounted cooker hood	Wall mounted cooker hood	Wall mounted cooker hood	Wall mounted cooker hood
Operation type	Venting with air extraction or recirculation	Venting with air extraction or recirculation	Venting with air extraction or recirculation	Venting with air extraction or recirculation	Venting with air extraction or recirculation	Venting with air extraction or recirculation	Venting with air extraction or recirculation	Venting with air extraction or recirculation
Width	400 mm	390 mm	900 mm	900 mm	900 mm	600 mm	800 mm	600 mm
<b>Efficiency</b>								
Maximum extraction rate by extraction operation	680 m <sup>3</sup> /h	629 m <sup>3</sup> /h	697 m <sup>3</sup> /h	400 m <sup>3</sup> /h	620 m <sup>3</sup> /h	620 m <sup>3</sup> /h	762 m <sup>3</sup> /h	726 m <sup>3</sup> /h
Maximum extraction rate by recirculation operation	610 m <sup>3</sup> /h	408 m <sup>3</sup> /h	687 m <sup>3</sup> /h	320 m <sup>3</sup> /h	495 m <sup>3</sup> /h	495 m <sup>3</sup> /h	658 m <sup>3</sup> /h	571 m <sup>3</sup> /h
Total power of the motors	240 W	150 W	150 W	240 W	240 W	240 W	150 W	150 W
Venting tube diameter	15 cm	15 cm	15 cm	15 cm	15 cm	15 cm	15 cm	15 cm
<b>Control</b>								
Control type	Electronic control	Electronic control	Electronic control	Electronic control	Electronic control	Electronic control	Electronic control	Electronic control
Control setting	Touch	Touch	Touch	Button control	Touch	Touch	Touch	Touch
Timer function	-	•	•	-	-	-	-	•
Number of speed settings	4	4	4	4	4	4	4	4
Remote control	-	-	-	-	-	-	-	-
Operation indicator	-	•	•	-	-	-	•	•
<b>Features</b>								
Lamp type	Halogen	Halogen	Halogen	LED	Halogen	Halogen	Halogen	Halogen
Number and power of lights	4 × 80 W	4 × 80 W	2 × 40 W	2 × 6 W	2 × 40 W	2 × 40 W	2 × 37 W	2 × 40 W
Airflow boost position								
Perimetric suction	-	•	-	-	-	-	•	•
<b>Equipment</b>								
Number of filters	1	1	3	1	1	1	1	1
Filter material	Aluminium	Aluminium	Aluminium	Aluminium	Aluminium	Aluminium	Aluminium	Aluminium
Grease filter indicator	-	-	-	-	-	-	-	-
Odour filter		Optional	Optional				Optional	Optional
Number of motors	1	1	1	1	1	1	1	1
Sound protection		Standard sound protection	Standard sound protection				Standard sound protection	Standard sound protection
No return airflow flap	150 mm		150 mm	150 mm	150 mm	150 mm	150 mm	150 mm
<b>Technical data</b>								
Voltage (V)	220-240 V	220-240 V	220-240 V	220-240 V	220-240 V	220-240 V	220-240 V	220-240 V
Connected load	320 W	230 W	190 W	246 W	280 W	280 W	187 W	190 W
Power input/speed I		167 W	120 W				126 W	126 W
Power input/speed II		182 W	135 W				142 W	142 W
Power input/speed III		199 W	154 W				161 W	161 W
Power input/speed IV		254 W	232 W				235 W	245 W
Cord length	1,5 m	1,65 m	1,5 m	1,5 m	1,5 m	1,5 m	1,7 m	1,7 m
Noise level (max.)	61 dB(A)	59 dB(A)	57 dB(A)	50 dB(A)	61 dB(A)	61 dB(A)	57 dB(A)	58 dB(A)
Sound power/speed Boost function								
Sound power/speed I		41 dB(A)re 1 pW	41 dB(A)re 1 pW				40 dB(A)re 1 pW	40 dB(A)re 1 pW
Sound power/speed II		45 dB(A)re 1 pW	44 dB(A)re 1 pW				42 dB(A)re 1 pW	42 dB(A)re 1 pW
Sound power/speed III		50 dB(A)re 1 pW	47 dB(A)re 1 pW				47 dB(A)re 1 pW	47 dB(A)re 1 pW
Sound power/speed IV		58 dB(A)re 1 pW	57 dB(A)re 1 pW				57 dB(A)re 1 pW	57 dB(A)re 1 pW
Dimensions of the product (width x depth)	40 × 30 cm	39 × 39 cm	90 × 50 cm	90 × 41,5 cm	90 × 50 cm	60 × 50 cm	80 × 46,5 cm	60 × 46,5 cm
Dimensions of packed product (HxWxD)	50 × 88 × 55 cm	60,5 × 91,5 × 50,5 cm	54 × 100 × 57,5 cm	100 × 102 × 56 cm	54 × 100 × 57,5 cm	47,5 × 70 × 57 cm	55 × 89 × 59 cm	55 × 70,5 × 59 cm
Height	780 mm	700 mm	60 mm	580 mm	355 mm	355 mm	455 mm	460 mm
Height of the chimney (min/max)		70 / 90 cm	78 / 94 cm	115 / 150 cm	70 / 101 cm	70 / 101 cm	46 / 94 cm	46,5 / 89 cm
Distance from the bottom edge up to the top of the turbine		70 cm	27 cm				44,4 cm	44,4 cm
Weight (gross/net)	22,1 / 16,3 kg	28 / 22,1 kg	19,9 / 15,6 kg	17,1 / 13,1 kg	17,1 / 13,1 kg	17,1 / 13,1 kg	27 / 22,1 kg	16,7 / 13,2 kg
EAN code	3838942776816	3838942548437	3838942525872	3838942776823	3838942776847	3838942776830	3838942525858	3838942525865

## Cooker hoods

Model name	DKG 9335 E	DKG 6315 X	IDKG 9545 X-UK	DK 9335 E	DK 6315 X	DF 6315 X	DC 9635 X
Catalogue page	132	132	133	133	134	134	135
Product type	Decorative hood	Decorative hood	Decorative hood	Decorative hood		Telescopic hood	Built-in
Construction type	Wall mounted cooker hood	Wall mounted cooker hood	Island hood	Wall mounted cooker hood	Wall mounted cooker hood	Built-in hood	Ceiling hood
Operation type	Venting with air extraction or recirculation	Venting with air extraction or recirculation	Venting with air extraction or recirculation	Venting with air extraction or recirculation	Venting with air extraction or recirculation	Venting with air extraction or recirculation	Venting with air extraction or recirculation
Width	900 mm	598 mm	900 mm	900 mm	598 mm	598 mm	900 mm
<b>Efficiency</b>							
Maximum extraction rate by extraction operation	422 m <sup>3</sup> /h	410 m <sup>3</sup> /h	679 m <sup>3</sup> /h	358 m <sup>3</sup> /h	372 m <sup>3</sup> /h	250 m <sup>3</sup> /h	950 m <sup>3</sup> /h
Maximum extraction rate by recirculation operation	295 m <sup>3</sup> /h	190 m <sup>3</sup> /h	565 m <sup>3</sup> /h	316 m <sup>3</sup> /h	250 m <sup>3</sup> /h	145 m <sup>3</sup> /h	
Total power of the motors	230 W	180 W	150 W	150 W	120 W	100 W	250 W
Venting tube diameter	15 cm	14,8 cm	15 cm	15 cm	15 cm	12 cm	15 cm
<b>Control</b>							
Control type	Mechanic control	Mechanic control	Electronic control	Mechanic control	Mechanic control	Mechanic control	Electronic control
Control setting	Button control	Button control	Touch	Button control	Button control	Button control	
Timer function	-	-	•	-	-	-	•
Number of speed settings	3	3	4	3	3	3	3
Remote control	-	-	-	-	-	-	•
Operation indicator	•	-	•	-	-	-	•
<b>Features</b>							
Lamp type	Halogen	Halogen	Halogen	Regular	Halogen	Halogen	Halogen
Number and power of lights	2 × 40 W	2 × 40 W	4 × 80 W	2 × 80 W	2 × 56 W	2 × 56 W	3 × 60 W
Airflow boost position							950 m <sup>3</sup> /h
Perimetric suction	-	-	-	-	-	-	•
<b>Equipment</b>							
Number of filters	2	1	2	3	2	2	
Filter material	Aluminium	Aluminium	Aluminium	Aluminium	Aluminium	Aluminium	Aluminium
Grease filter indicator	-	-	-	-	-	-	•
Odour filter		Optional	Optional		Optional	Optional	Optional
Number of motors	1	1	1	1	1	1	1
Sound protection		Standard sound protection	Standard sound protection		Standard sound protection		Standard sound protection
No return airflow flap	150 mm	148 mm	150 mm	150 mm	150 mm		150 mm
<b>Technical data</b>							
Voltage (V)	220-240 V	220-240 V	220-240 V	220-240 V	220-240 V	220-240 V	220-240 V
Connected load	270 W	220 W	230 W	230 W	176 W	156 W	310 W
Power input/speed I	85 W		168 W		58 W		
Power input/speed II	112 W		185 W		87 W		
Power input/speed III	158 W		204 W		135 W		
Power input/speed IV			272 W				
Cord length	1 m	1,5 m	1,55 m	1 m	1,5 m	0,15 m	0,8 m
Noise level (max.)	57 dB(A)	64 dB(A)	58 dB(A)	61 dB(A)	59 dB(A)	56 dB(A)	73 dB(A)
Sound power/speed Boost function							
Sound power/speed I	50 dB(A)re 1 pW		40 dB(A)re 1 pW		43 dB(A)re 1 pW		
Sound power/speed II	52 dB(A)re 1 pW		43 dB(A)re 1 pW		50 dB(A)re 1 pW		
Sound power/speed III	59 dB(A)re 1 pW		48 dB(A)re 1 pW		59 dB(A)re 1 pW		
Sound power/speed IV			58 dB(A)re 1 pW				
Dimensions of the product (width x depth)	90 × 49 cm	59,8 × 45 cm	90 × 60 cm	90 × 48,5 cm	59,8 × 45 cm	59,8 × 32,5 cm	90 × 60 cm
Dimensions of packed product (HxWxD)	47,4 × 96,4 × 58,7 cm		74,5 × 110 × 79 cm	29 × 95,5 × 55 cm	55 × 67 × 32 cm	33,5 × 63 × 26 cm	70,9 × 100,9 × 65,4 cm
Height	60 mm	46 mm	54 mm	190 mm	197 mm	180 mm	600 mm
Height of the chimney (min/max)	59 / 105,5 cm	68,7 / 109,7 cm	78,5 / 98,5 cm	37 / 71,5 cm	54,2 / 86,4 cm		
Distance from the bottom edge up to the top of the turbine	49,5 cm		27 cm	20,5 cm	21,8 cm		
Weight (gross/net)	20,1 / 15,9 kg		29,1 / 24,3 kg	10,5 / 8,7 kg	7,62 / 5,8 kg	7,5 / 6 kg	33 / 24,4 kg
EAN code	3838942407000	3838942915048	3838942525889	3838942407017	3838942653766	3838942855115	3838942703751



# FREE 5-YEAR PARTS AND LABOUR GUARANTEE

Gorenje offer a **free 5-year parts and labour guarantee** on all built-in ovens, hobs, hoods and built-in cooling and selected freestanding cooling and washing products.

This guarantee shows our confidence in our technology and excellent product quality.

All Gorenje appliances not covered by a 5 year guarantee, get a fully extendable free 2 year parts and labour guarantee.

For more information related to the registration of your appliance under guarantee, please see our website [www.gorenje.co.uk](http://www.gorenje.co.uk) and go to "Registration".



## AFTER SALES SUPPORT

Once you have bought a Gorenje appliance you can relax knowing that in unlikely event of a fault occurring, you can rely on us to look after your appliance. If you are experiencing problems and require customer support please contact our Service Hotline on:

**0844 557 9000**  
(Republic of Ireland: 01 8835622)

**Please have all your appliance details and date of purchase ready in order for your call to be dealt with efficiently.**

Service Hotline opening times:

- Monday - Friday 8am - 6pm
- Saturday 9am - 4pm
- Sunday 11am - 3pm

# gorenje

**Gorenje UK Ltd**

Tuition House | 27-37 St. George's Road | London SW19 4EU

tel: 020 8247 39 80 | fax: 020 8247 39 99

E-mail: [info@gorenjeuk.co.uk](mailto:info@gorenjeuk.co.uk) | Website: [www.gorenje.co.uk](http://www.gorenje.co.uk)



PRODUCTION: Development of new technologies is a thrilling process. Virtually every day, in every moment, a new idea is born somewhere in the world, a new scientific breakthrough is completed, and a new finding is arrived at. However, technology should not and cannot be an end-state to itself. Therefore, we are starting at the other end: at your home. You are our inspiration for development of technologically perfected solutions. Gorenje continuously seeks improvements in specification, design and production of products and thus, alterations take place periodically. Whilst every effort is made to produce upto- date literature, this brochure should not be regarded as an infallible guide to current specification, nor does it constitute an offer for the sale of any particular appliance.